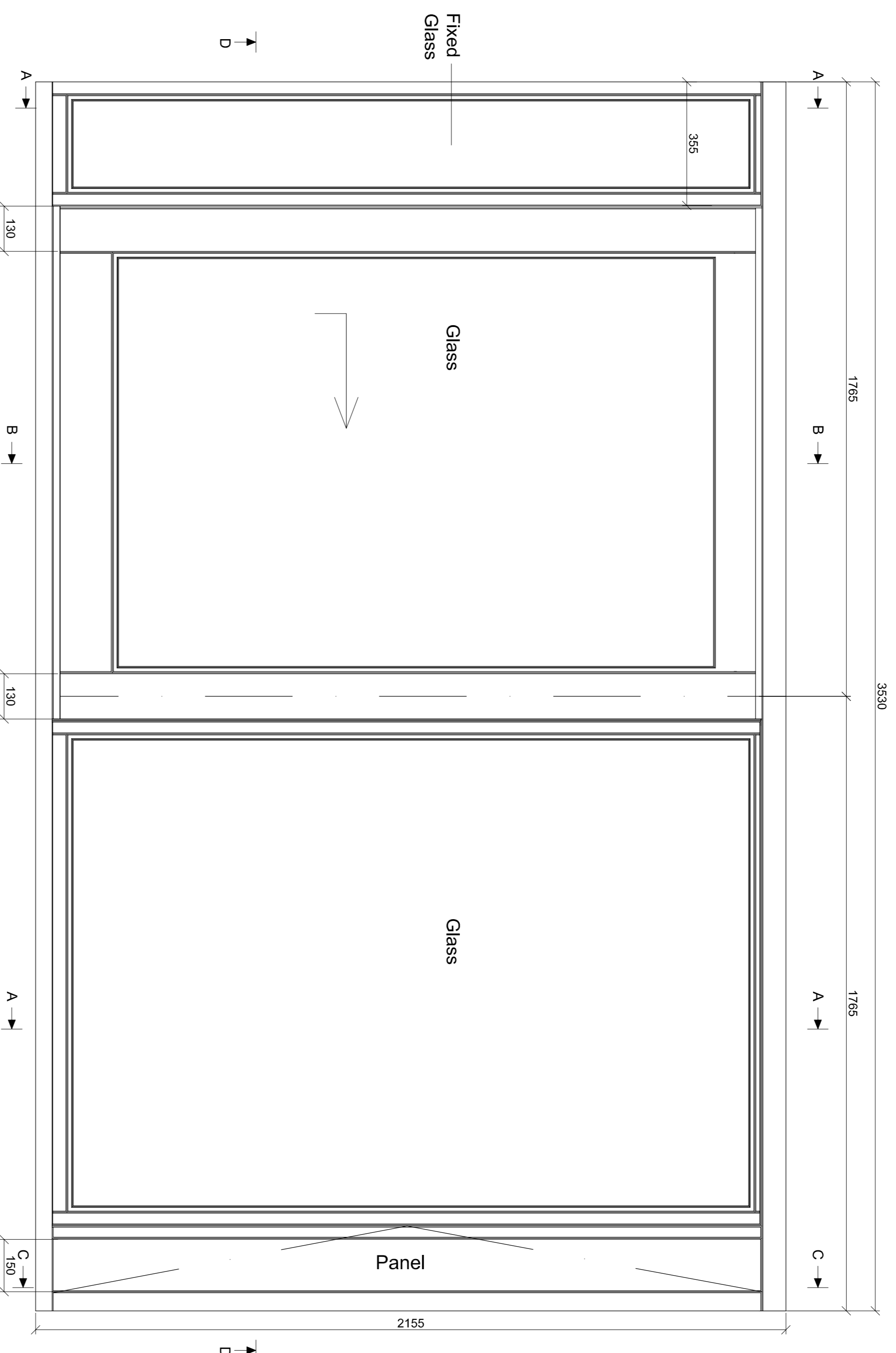
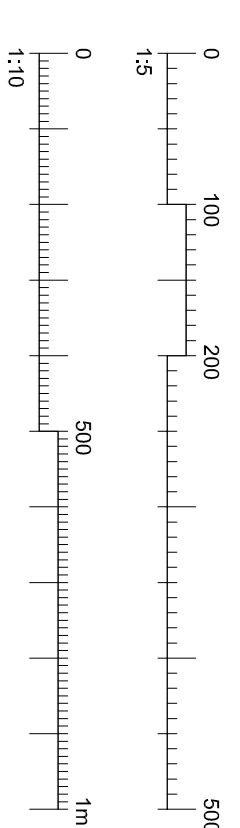
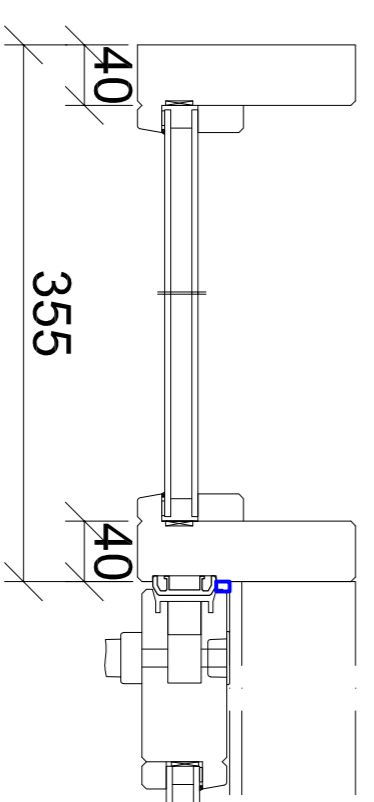


O - Lower Balcony Window

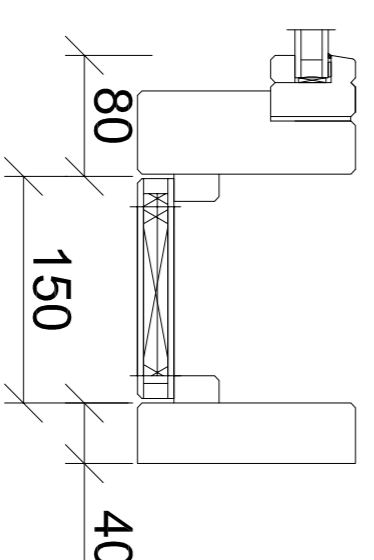
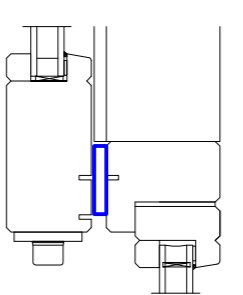
NOTE
All 'Proposed' dimensions are for manufacturing purposes and therefore may differ slightly from the 'Existing' dimensions.



Proposed Type O - Rear Lower Balcony Sliding doors.
scale 1:10



Proposed Jamb Details
scale 1:5

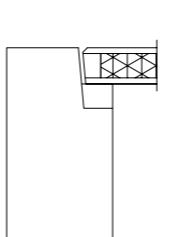
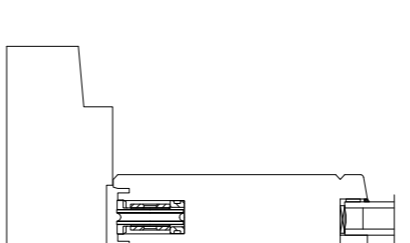
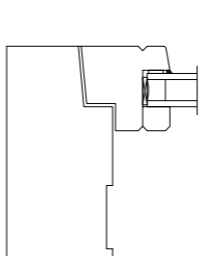


D-D

A-A

B-B

C-C



Proposed Head & Cill Details
scale 1:5

The contractor is responsible to ensure that no products are to be installed that do not comply with relevant British and/or European Standards and/or Codes of Practice, Current Regulations, and/or construction to the satisfaction of health and safety as to the quality of the work or not in accordance with good building practice.
The contractor is responsible for checking dimensions, materials, methods and processes. Any discrepancy to be notified to Bailey Garner LLP and rectified before proceeding with the work. Where an item is covered by drawings to different scales, the larger scale drawings is to be used.
Do not scale drawings. Figure dimensions to be used in all cases.
This drawing and the copyright and patent therein are the property of Bailey Garner LLP and may not be used or reproduced without consent or attribution.

A1

CLIENT: Keepmoat Regeneration (Apollio) Ltd
PROJECT: Mansfield Road External Upgrades
ADDRESS: Apollo Site Office
Kiln Place
Lamble Street, NW5 4AB
TITLE: Proposed Window Type O
PURPOSE: For BMRB Planning
SCALE: 1:10
DATE: 20/11/15
DRAWN BY: D
CHECKED BY: C
REVISION: PL 27

BAILEY · GARNER
144-148 ELMHURST HILL
LONDON SE8 5JY
T: 020 8294 1000
E: graham@bailey-garner.co.uk
www.bailey-garner.co.uk

REVISION: 0 C DATE: