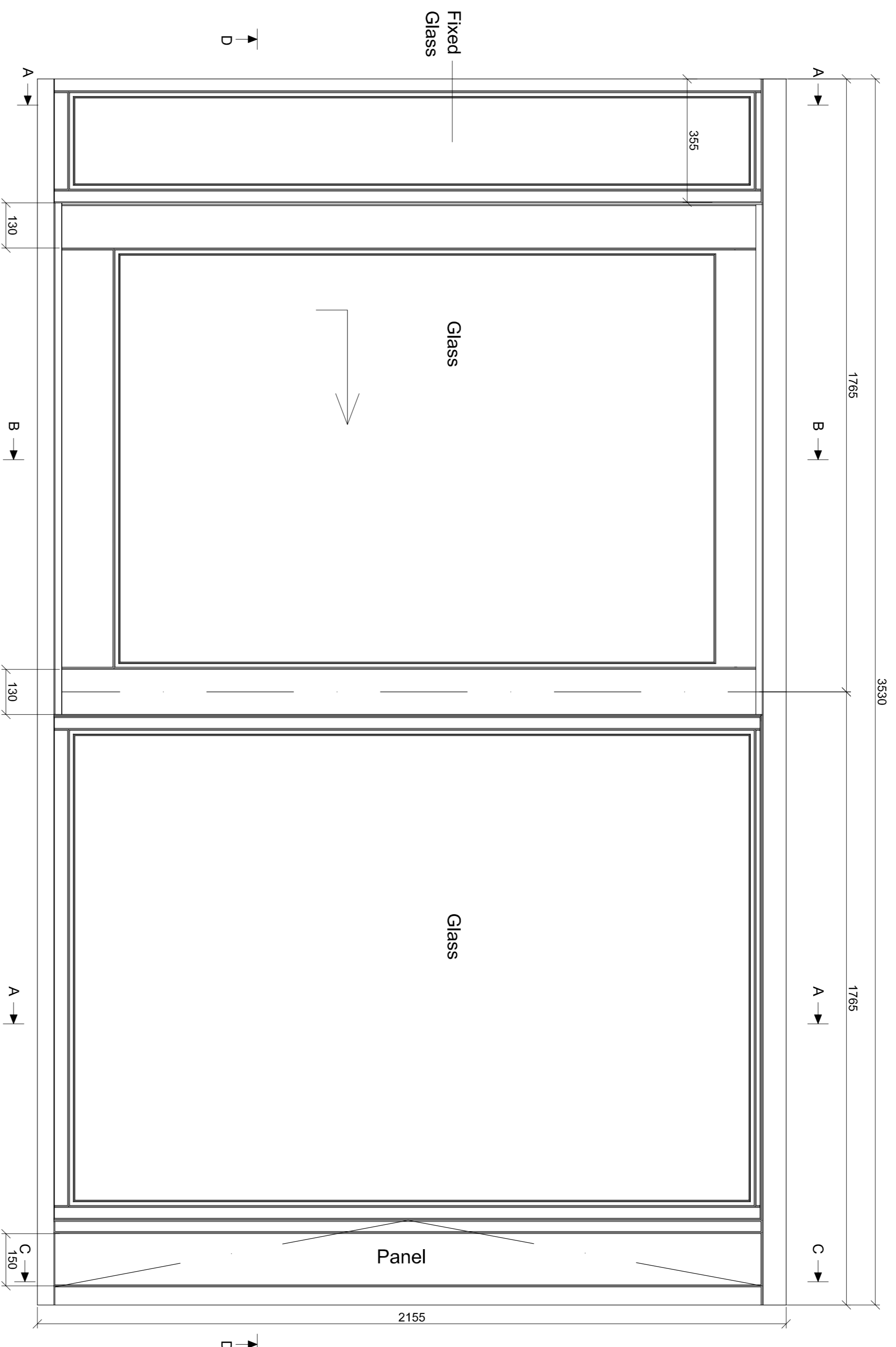
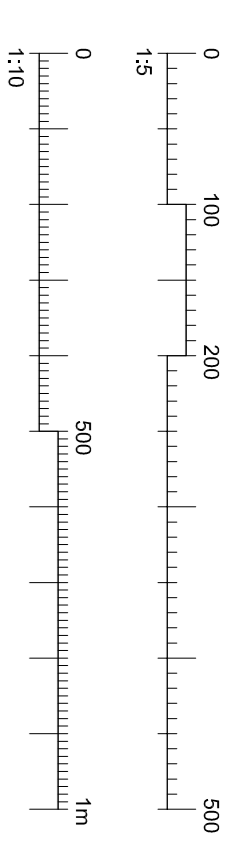


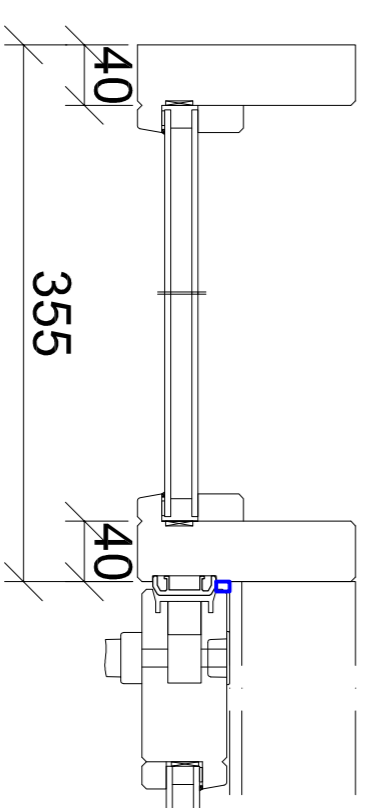


O - Lower Balcony Window

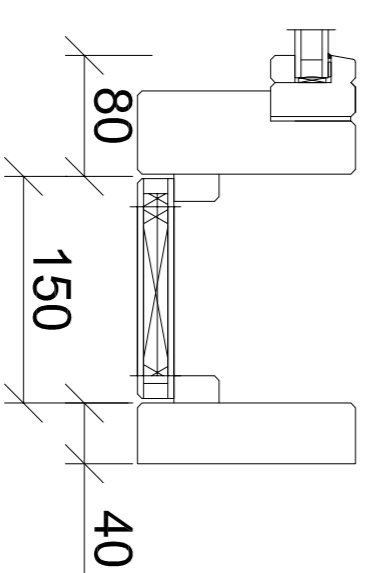
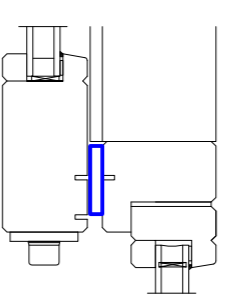
NOTE
All 'Proposed' dimensions are for manufacturing purposes and therefore may differ slightly from the 'Existing' dimensions.



Existing Type O - Rear Lower Balcony Sliding doors.
scale 1:10



Existing Jamb Details
scale 1:5



D-D

A-A

B-B

C-C



Existing Head & Cill Details
scale 1:5

The contractor is responsible to ensure that no products are to be utilised that do not comply with relevant British and/or European Standards and/or Codes of Practice, Current Regulations, and/or construction to the satisfaction of health and safety or to the quality of the work or not in accordance with good building practice.
The contractor is responsible for checking dimensions, tolerance, length and reference. The drawings are to be checked by the contractor before proceeding with the work. When an item is covered by drawings in different scales, the larger scale drawings is to be used.
Do not scale drawings. Figure dimensions to be used in all cases.
This drawing and the copyright and patent therein are the property of Bally Garner LTF and may not be used or reproduced without consent or attribution.

A1

CLIENT: **Keenpoint Regeneration (Apollo) Ltd** PROJECT: **Mansfield Road External Upgrades**

ADDRESS: **Apollo Site Office, Kiln Place, Lambie Street, NW15 4AB**

TITLE: **Existing Window Type O** PURPOSE: **FOR PERMITS**

DATE: **13/10/2015** REVISION: **0**

SCALE: **1:5** DRAWING NO: **27241** PL: **26**

BALLY · GARNER

144-146 ELMHILL, LONDON SE8 5DZ
T: 020 8284 1000
E: info@ballygarner.co.uk