

© Crown copyright and Landmark Information Group Limited 2013. All Rights Reserved.



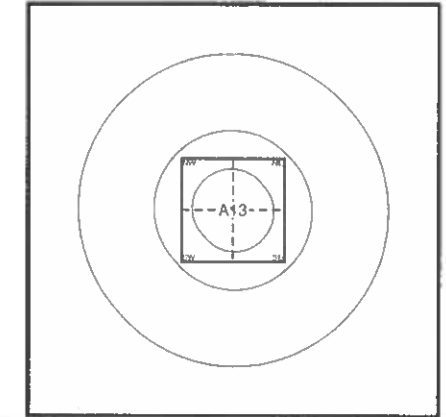
Ordnance Survey Plan
Published 1957 - 1958
Source map scale - 1:10,000

The historical maps shown were reproduced from maps predominantly held at the scale adopted for England, Wales and Scotland in the 1840's. In 1854 the 1:2,500 scale was adopted for mapping urban areas; these maps were used to update the 1:10,560 maps. The published date given therefore is often some years later than the surveyed date. Before 1938, all OS maps were based on the Cassini Projection, with independent surveys of a single county or group of counties, giving rise to significant inaccuracies in outlying areas. In the late 1940's, a Provisional Edition was produced, which updated the 1:10,560 mapping from a number of sources. The maps appear unfinished - with all military camps and other strategic sites removed. These maps were initially overprinted with the National Grid. In 1970, the first 1:10,000 maps were produced using the Transverse Mercator Projection. The revision process continued until recently, with new editions appearing every 10 years or so for urban areas.

Map Name(s) and Date(s)

- TQ28NE | 1958 | 1:10,560
- TQ28SE | 1957 | 1:10,560

Historical Map - Slice A

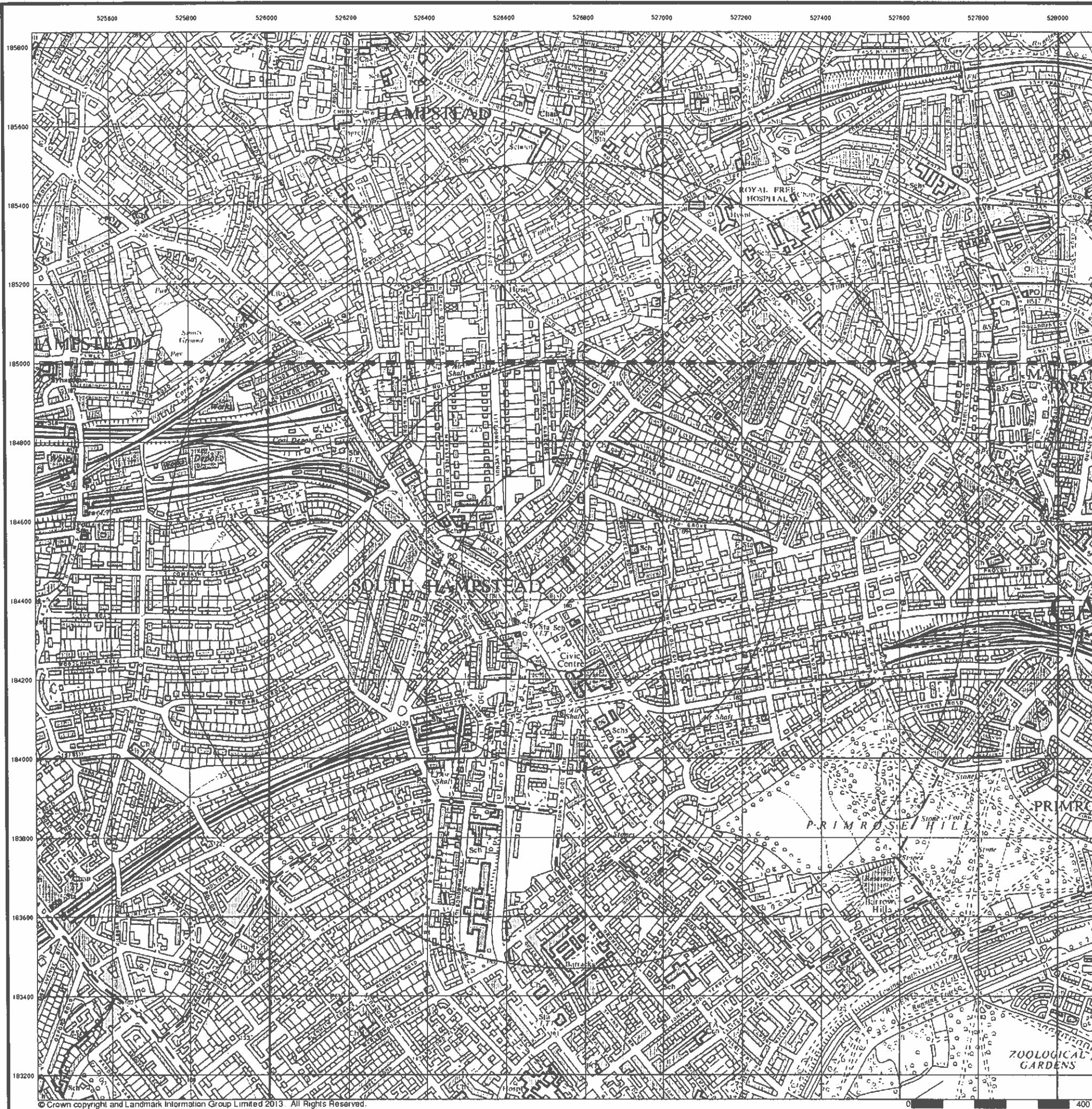


Order Details
 Order Number: 52695727_1_1
 Customer Ref: 35 Buckland
 National Grid Reference: 526760, 184490
 Slice: A
 Site Area (Ha): 0.05
 Search Buffer (m): 1000

Site Details
 Flat 2-3, 35 Buckland Crescent, LONDON, NW3 5DJ



Tel: 0844 644 9952
 Fax: 0844 644 9951
 Web: www.envirocheck.co.uk



© Crown copyright and Landmark Information Group Limited 2013. All Rights Reserved.



Ordnance Survey Plan

Published 1968

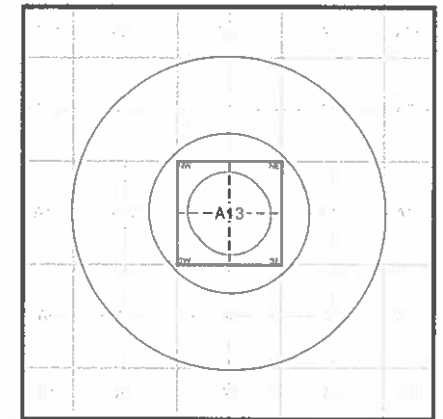
Source map scale - 1:10,000

The historical maps shown were reproduced from maps predominantly held at the scale adopted for England, Wales and Scotland in the 1840's. In 1854 the 1:2,500 scale was adopted for mapping urban areas; these maps were used to update the 1:10,560 maps. The published data given therefore is often some years later than the surveyed date. Before 1938, all OS maps were based on the Cassini Projection, with independent surveys of a single county or group of counties, giving rise to significant inaccuracies in outlying areas. In the late 1940's, a Provisional Edition was produced, which updated the 1:10,560 mapping from a number of sources. The maps appear unfinished - with all military camps and other strategic sites removed. These maps were initially overprinted with the National Grid. In 1970, the first 1:10,000 maps were produced using the Transverse Mercator Projection. The revision process continued until recently, with new editions appearing every 10 years or so for urban areas.

Map Name(s) and Date(s)

TQ28NE	1968	1:10,560
TQ28SE	1968	1:10,560

Historical Map - Slice A



Order Details

Order Number: 52695727_1_1
 Customer Ref: 35 Buckland
 National Grid Reference: 526780, 184490
 Slice: A
 Site Area (Ha): 0.05
 Search Buffer (m): 1000

Site Details

Flat 2-3, 35 Buckland Crescent, LONDON, NW3 5DJ



Tel: 0844 844 8952
 Fax: 0844 844 8951
 Web: www.envirocheck.co.uk



© Crown copyright and Landmark Information Group Limited 2013. All Rights Reserved.



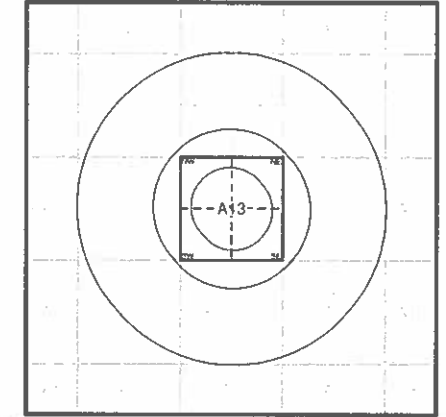
**Ordnance Survey Plan
Published 1974 - 1976
Source map scale - 1:10,000**

The historical maps shown were reproduced from maps predominantly held at the scale adopted for England, Wales and Scotland in the 1840's. In 1854 the 1:2,500 scale was adopted for mapping urban areas; these maps were used to update the 1:10,560 maps. The published date given therefore is often some years later than the surveyed date. Before 1938, all OS maps were based on the Cassini Projection, with independent surveys of a single county or group of counties, giving rise to significant inaccuracies in outlying areas. In the late 1940's, the Provisional Edition was produced, which updated the 1:10,560 mapping from a number of sources. The maps appear unfinished - with all military camps and other strategic sites removed. These maps were initially overprinted with the National Grid. In 1970, the first 1:10,000 maps were produced using the Transverse Mercator Projection. The revision process continued until recently, with new editions appearing every 10 years or so for urban areas.

Map Name(s) and Date(s)

TQ28NE	1976	1:10,000
TQ28SE	1974	1:10,000

Historical Map - Slice A



Order Details

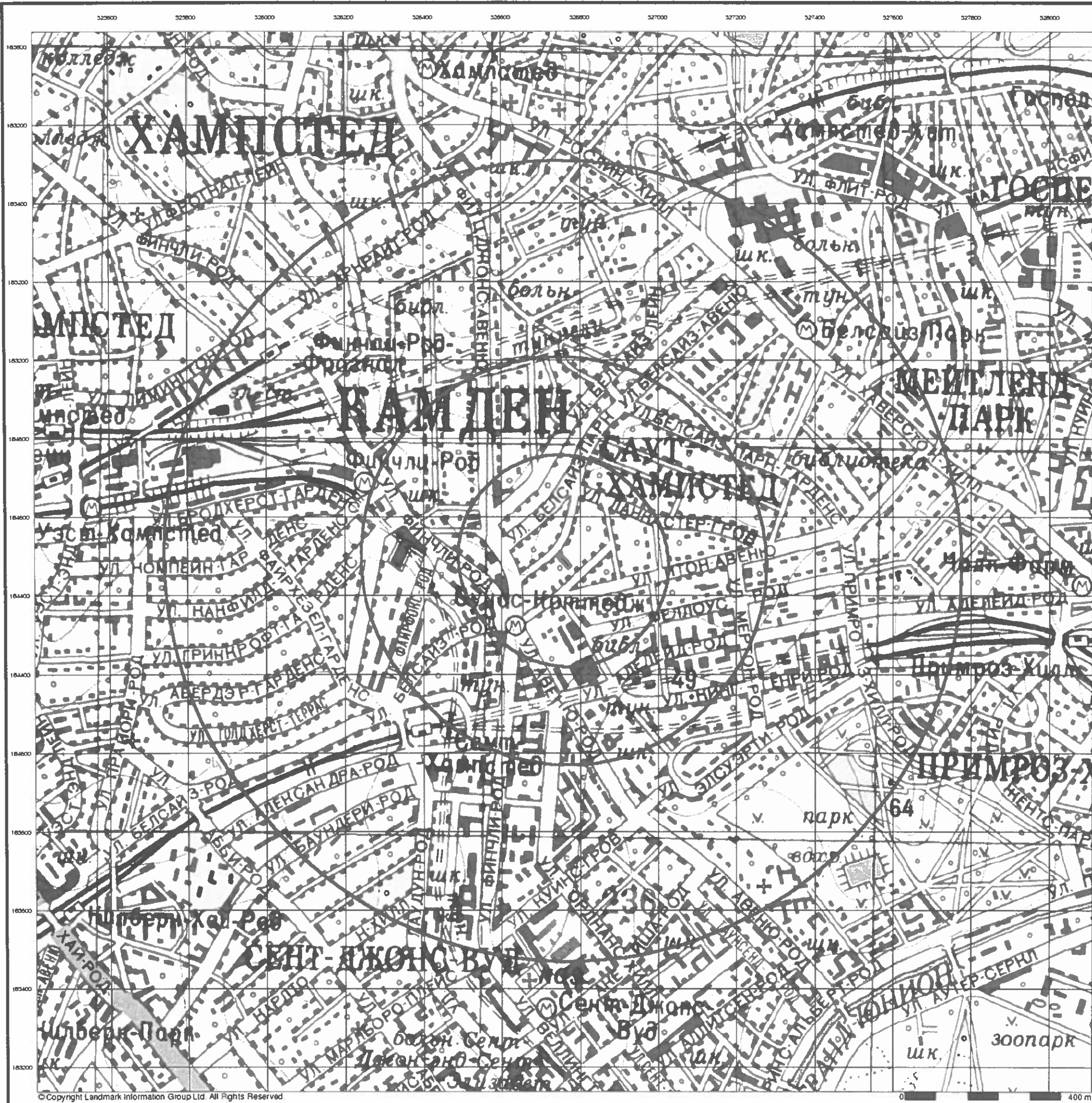
Order Number: 52695727_1_1
 Customer Ref: 35 Buckland
 National Grid Reference: 526760, 184490
 Slice: A
 Site Area (Ha): 0.05
 Search Buffer (m): 1000

Site Details

Flat 2-3, 35 Buckland Crescent, LONDON, NW3 5DJ



Tel: 0844 844 8852
 Fax: 0844 844 8851
 Web: www.envirocheck.co.uk



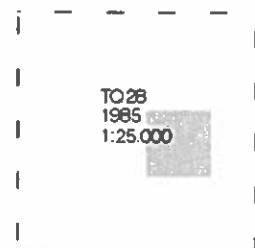
© Copyright Landmark Information Group Ltd. All Rights Reserved



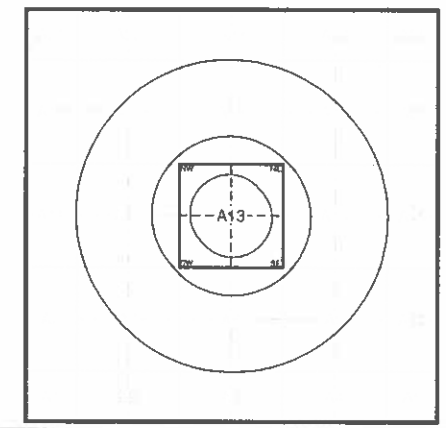
London
Published 1985
Source map scale - 1:25,000

These maps were produced by the Russian military during the Cold War between 1950 and 1997, and cover 103 towns and cities throughout the U.K. The maps are produced at 1:25,000, 1:10,000 and 1:5,000 scale, and show detailed land use, with colour-coded areas for development, green areas, and non-developed areas. Buildings are coloured black and important building uses (such as hospitals, post offices, factories etc.) are numbered, with a numbered key describing their use. They were produced by the Russians for the benefit of navigation, as well as strategic military sites and transport hubs, for use if they were to have invaded the U.K. The detailed information provided indicates that the areas were surveyed using land-based personnel, on the ground, in the cities that were mapped.

Map Name(s) and Date(s)



Russian Map - Slice A



Order Details
 Order Number: 52695727_1_1
 Customer Ref: 35 Buckland
 National Grid Reference: 526760, 184490
 Slice: A
 Site Area (Ha): 0.05
 Search Buffer (m): 1000

Site Details
 Flat 2-3, 35 Buckland Crescent, LONDON, NW3 5DJ

Landmark
 Tel: 0844 844 9952
 Fax: 0844 844 9951
 Web: www.envirocheck.co.uk



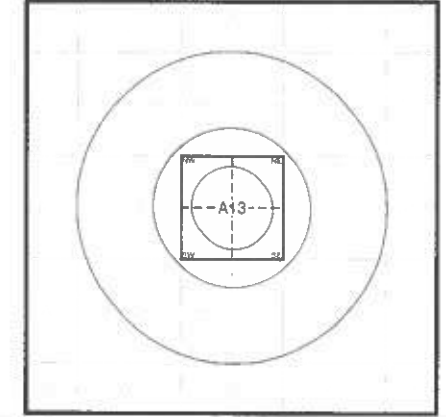
Ordnance Survey Plan
Published 1991 - 1996
Source map scale - 1:10,000

The historical maps shown were reproduced from maps predominantly held at the scale adopted for England, Wales and Scotland in the 1840's. In 1854 the 1:2,500 scale was adopted for mapping urban areas; these maps were used to update the 1:10,560 maps. The published date given therefore is often some years later than the surveyed date. Before 1938, all OS maps were based on the Cassini Projection, with independent surveys of a single county or group of counties, giving rise to significant inaccuracies in outlying areas. In the late 1940's, a Provisional Edition was produced, which updated the 1:10,560 mapping from a number of sources. The maps appear unfinished - with all military camps and other strategic sites removed. These maps were initially overprinted with the National Grid. In 1970, the first 1:10,000 maps were produced using the Transverse Mercator Projection. The revision process continued until recently, with new editions appearing every 10 years or so for urban areas.

Map Name(s) and Date(s)

- TO28NE 1996 1:10,000
- TO28SE 1991 1:10,000

Historical Map - Slice A



Order Details

Order Number: 52695727_1_1
 Customer Ref: 35 Buckland
 National Grid Reference: 526760, 184490
 Slice: A
 Site Area (Ha): 0.05
 Search Buffer (m): 1000

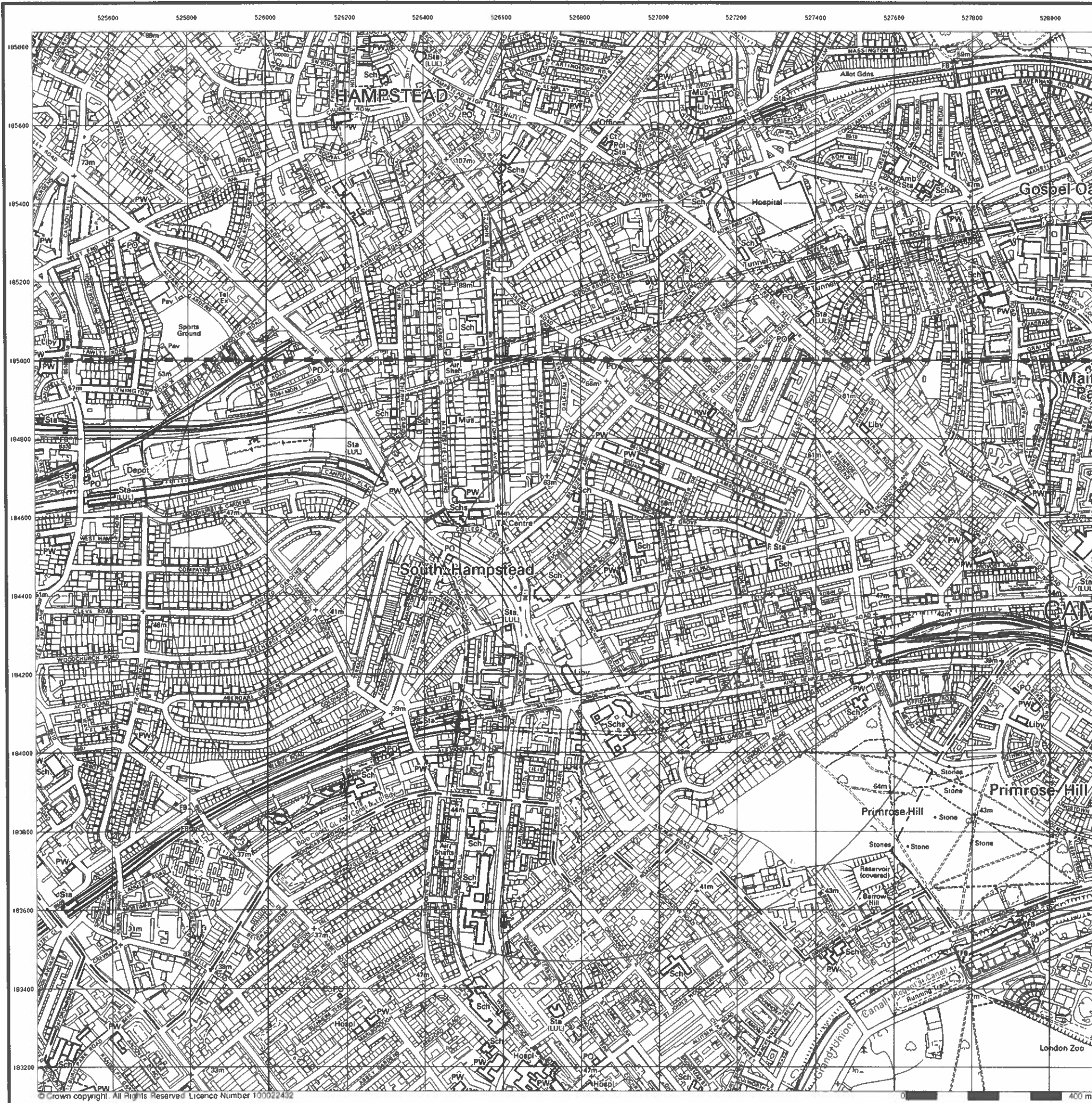
Site Details

Flat 2-3, 35 Buckland Crescent, LONDON, NW3 5DJ



Tel: 0844 844 9952
 Fax: 0844 844 9951
 Web: www.envirocheck.co.uk

© Crown copyright and Landmark Information Group Limited 2013. All Rights Reserved.



10k Raster Mapping
Published 2006
Source map scale - 1:10,000

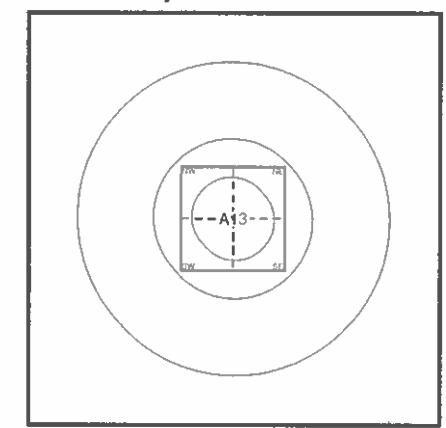
The historical maps shown were produced from the Ordnance Survey's 1:10,000 colour raster mapping. These maps are derived from Landplan which replaced the old 1:10,000 maps originally published in 1970. The data is highly detailed showing buildings, fences and field boundaries as well as all roads, tracks and paths. Road names are also included together with the relevant road number and classification. Boundary information depiction includes county, unitary authority, district, civil parish and constituency.

Map Name(s) and Date(s)

TQ28NE |
 2006 |
 1:10,000 |

TQ28SE |
 2006 |
 1:10,000 |

Historical Map - Slice A



Order Details

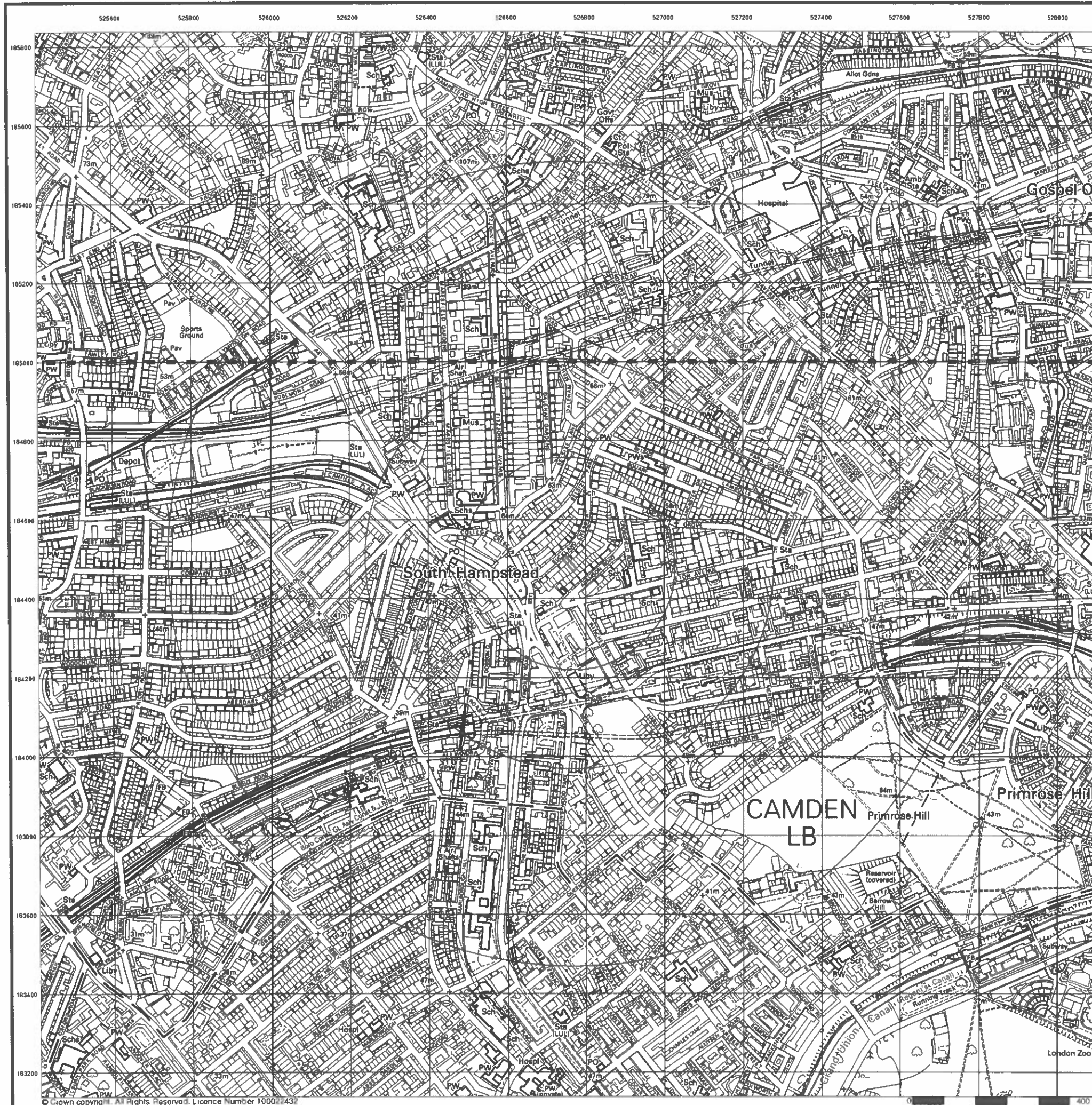
Order Number: 52695727_1_1
 Customer Ref: 35 Buckland
 National Grid Reference: 526760, 184490
 Slice: A
 Site Area (Ha): 0.05
 Search Buffer (m): 1000

Site Details

Flat 2-3, 35 Buckland Crescent, LONDON, NW3 5DJ



Tel: 0844 844 9952
 Fax: 0844 844 9951
 Web: www.envirocheck.co.uk



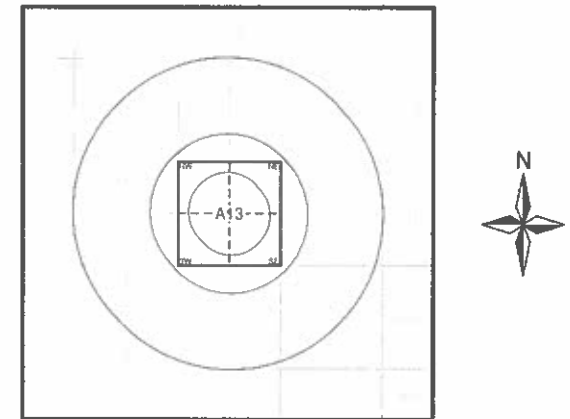
10k Raster Mapping
Published 2013
Source map scale - 1:10,000

The historical maps shown were produced from the Ordnance Survey's 1:10,000 colour raster mapping. These maps are derived from Landplan which replaced the old 1:10,000 maps originally published in 1970. The data is highly detailed showing buildings, fences and field boundaries as well as all roads, tracks and paths. Road names are also included together with the relevant road number and classification. Boundary information depiction includes county, unitary authority, district, civil parish and constituency.

Map Name(s) and Date(s)

TO28NE	2013	1:10,000
TO28SE	2013	1:10,000

Historical Map - Slice A



Order Details

Order Number: 52695727_1_1
 Customer Ref: 35 Buckland
 National Grid Reference: 526760, 184490
 Slice: A
 Site Area (Ha): 0.05
 Search Buffer (m): 1000

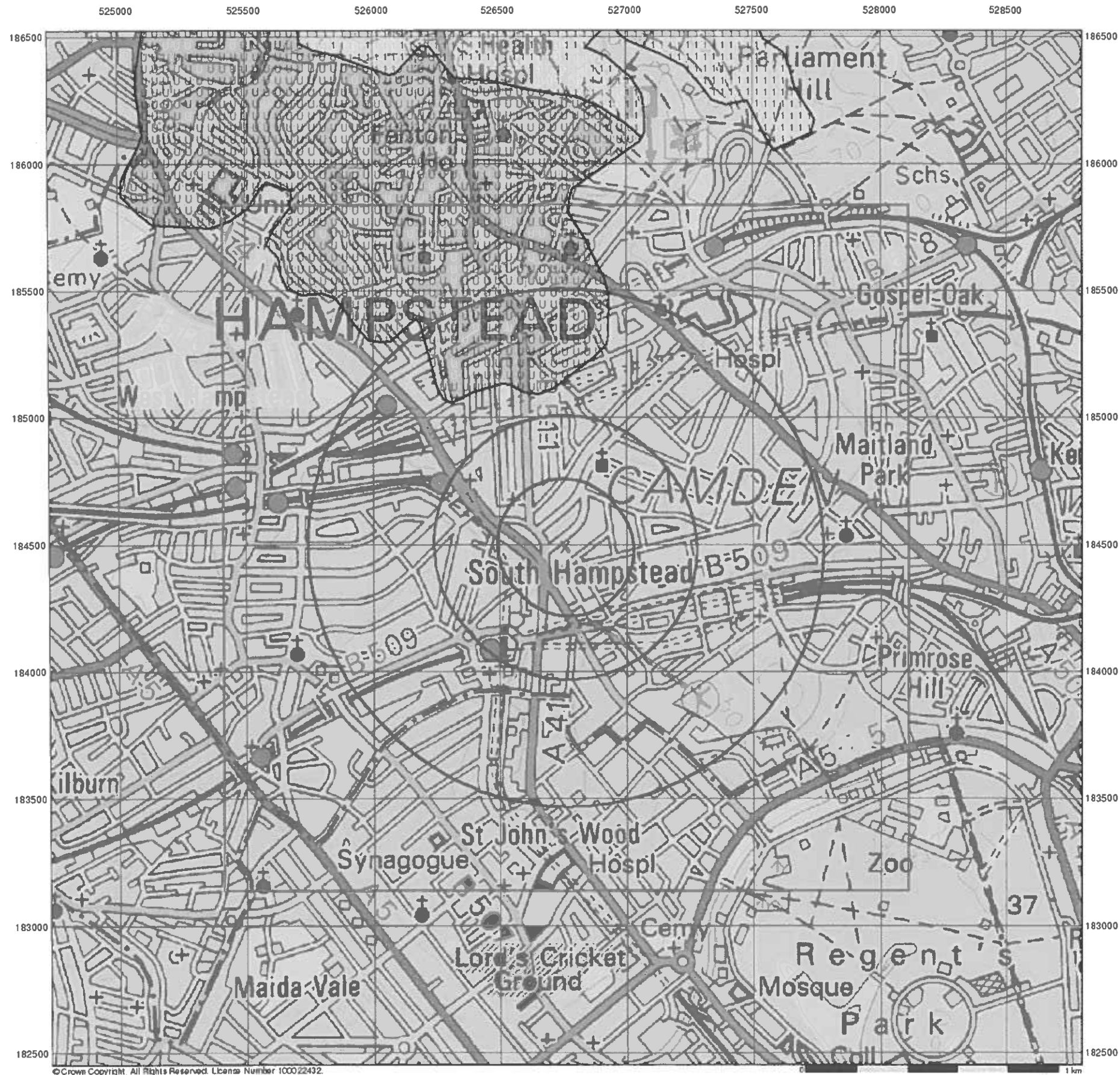
Site Details

Flat 2-3, 35 Buckland Crescent, LONDON, NW3 5DJ



Tel: 0844 844 9952
 Fax: 0844 844 9951
 Web: www.envirocheck.co.uk

Appendix H Environmental Data



© Crown Copyright. All Rights Reserved. License Number 100022432



Groundwater Vulnerability

General

- Specified Site
- Specified Buffer(s)
- Bearing Reference Point
- Slice
- Map ID

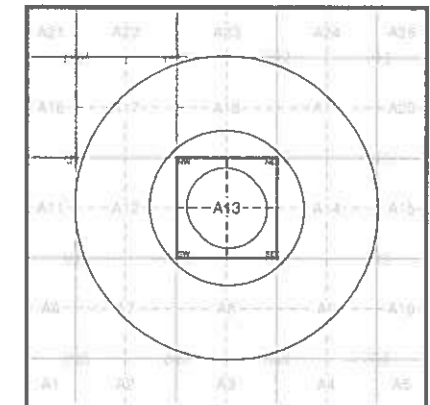
Agency and Hydrological

Geological Classes

- Major Aquifer (Highly Permeable)
 - High (H) 1, 2, 3, U
 - Intermediate (I) 1, 2
 - Low
- Minor Aquifer (Variably Permeable)
 - High (H) 1, 2, 3, U
 - Intermediate (I) 1, 2
 - Low
- Non Aquifer (Negligibly Permeable)
- Water or Sea
- Drift Deposit

Soil Classes

Site Sensitivity Context Map - Slice A



Order Details

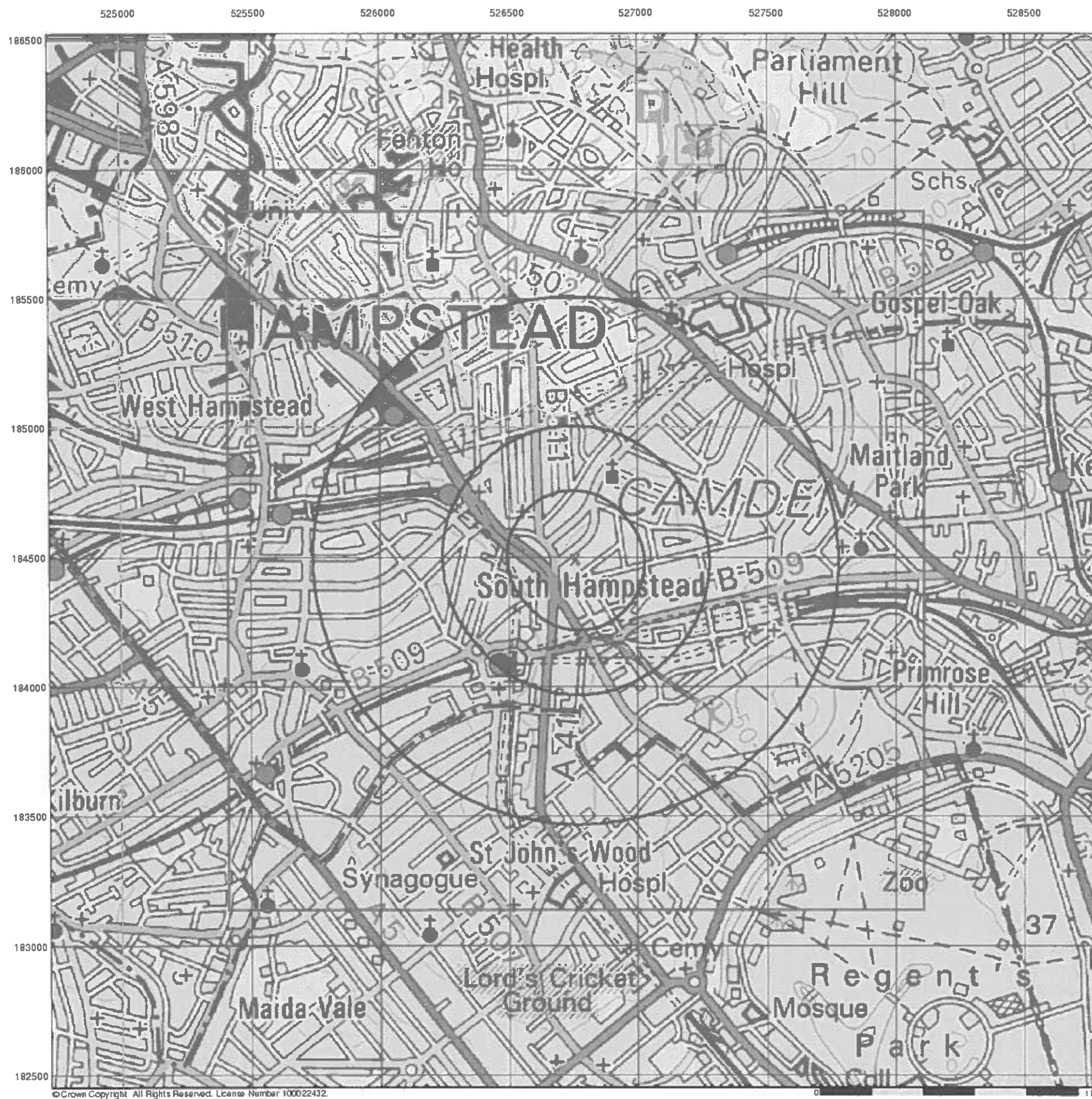
Order Number: 52695727_1_1
 Customer Ref: 35 Buckland
 National Grid Reference: 526760, 184490
 Slice: A
 Site Area (Ha): 0.05
 Search Buffer (m): 1000

Site Details

Flat 2-3, 35 Buckland Crescent, LONDON, NW3 5DJ



Tel: 0844 844 9952
 Fax: 0844 844 9951
 Web: www.envirocheck.co.uk



© Crown Copyright All Rights Reserved. License Number 100022432



Bedrock Aquifer Designation

General

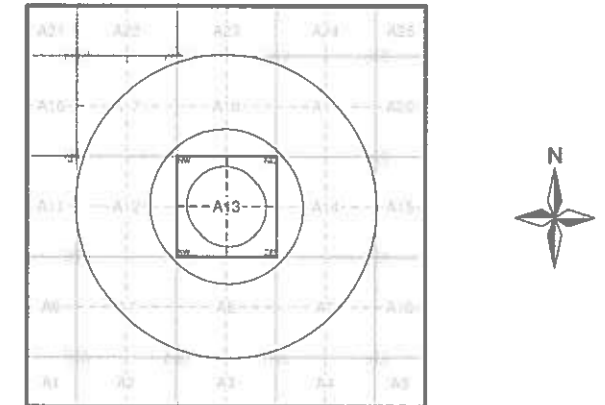
- Specified Site
- Specified Buffer(s)
- Bearing Reference Point
- Slice
- Map ID

Agency and Hydrological

Geological Classes

- Principal Aquifer
- Secondary A Aquifer
- Secondary B Aquifer
- Secondary Undifferentiated
- Unproductive Strata
- Unknown

Site Sensitivity Context Map - Slice A



Order Details

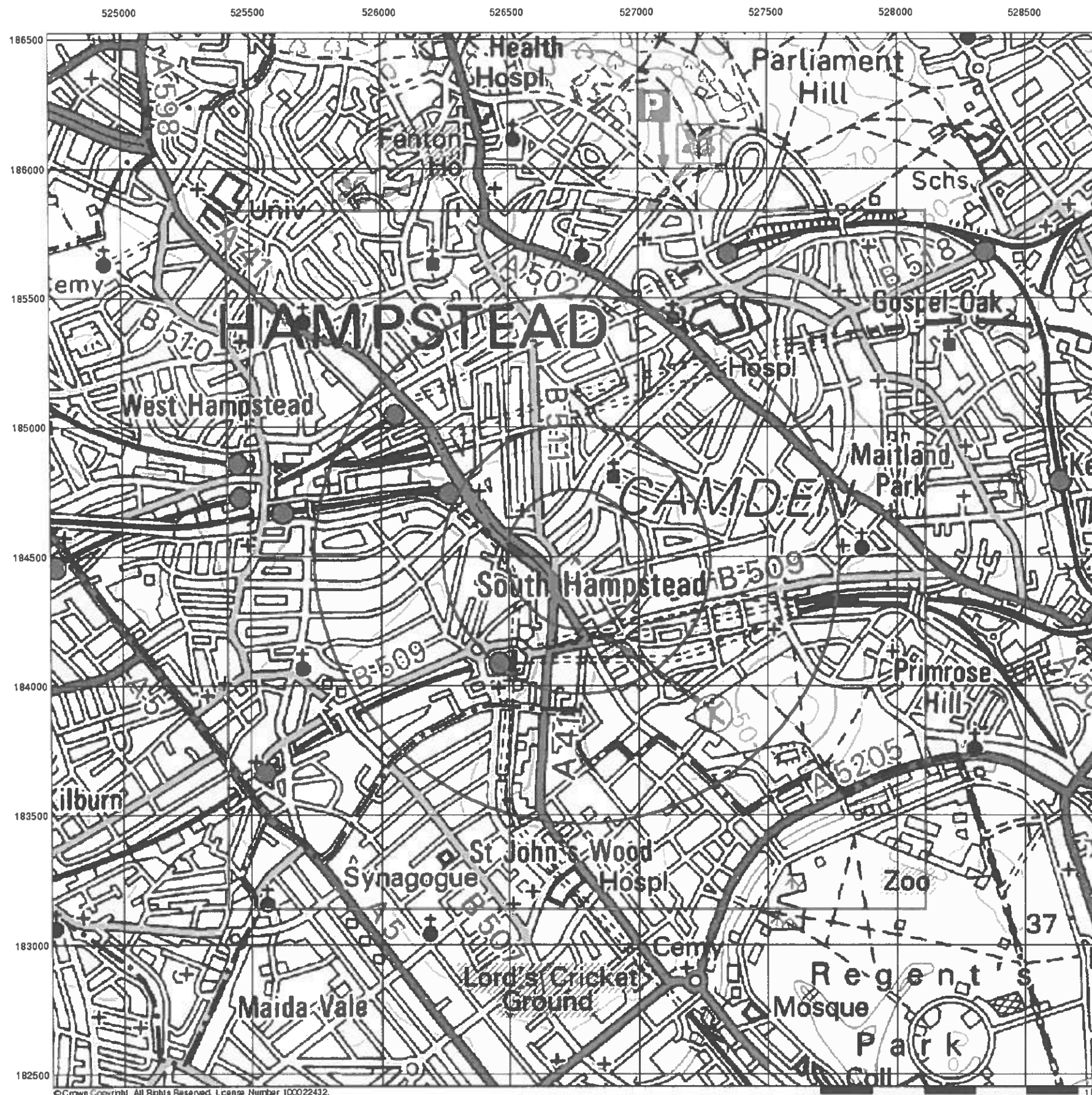
Order Number: 52695727_1_1
 Customer Ref: 35 Buckland
 National Grid Reference: 526760, 184490
 Slice: A
 Site Area (Ha): 0.05
 Search Buffer (m): 1000

Site Details

Flat 2-3, 35 Buckland Crescent, LONDON, NW3 5DJ



Tel: 0844 844 9852
 Fax: 0844 844 9951
 Web: www.envirocheck.co.uk



© Crown Copyright. All Rights Reserved. License Number 100022432.

Envirocheck®

Superficial Aquifer Designation

General

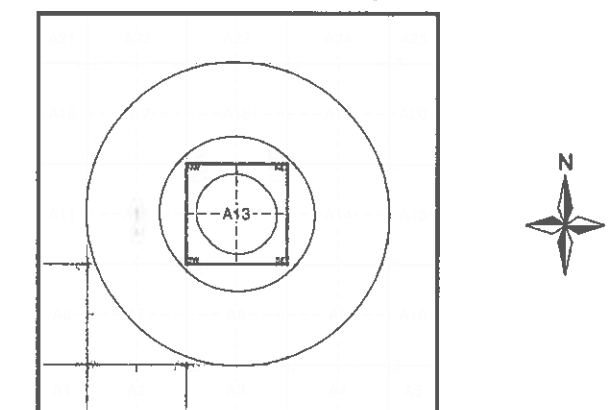
- Specified Site
- Specified Buffer(s)
- Bearing Reference Point
- Slice
- Map ID

Agency and Hydrological

Geological Classes

- Principal Aquifer
- Secondary A Aquifer
- Secondary B Aquifer
- Secondary Undifferentiated
- Unproductive Strata
- Unknown

Site Sensitivity Context Map - Slice A



Order Details

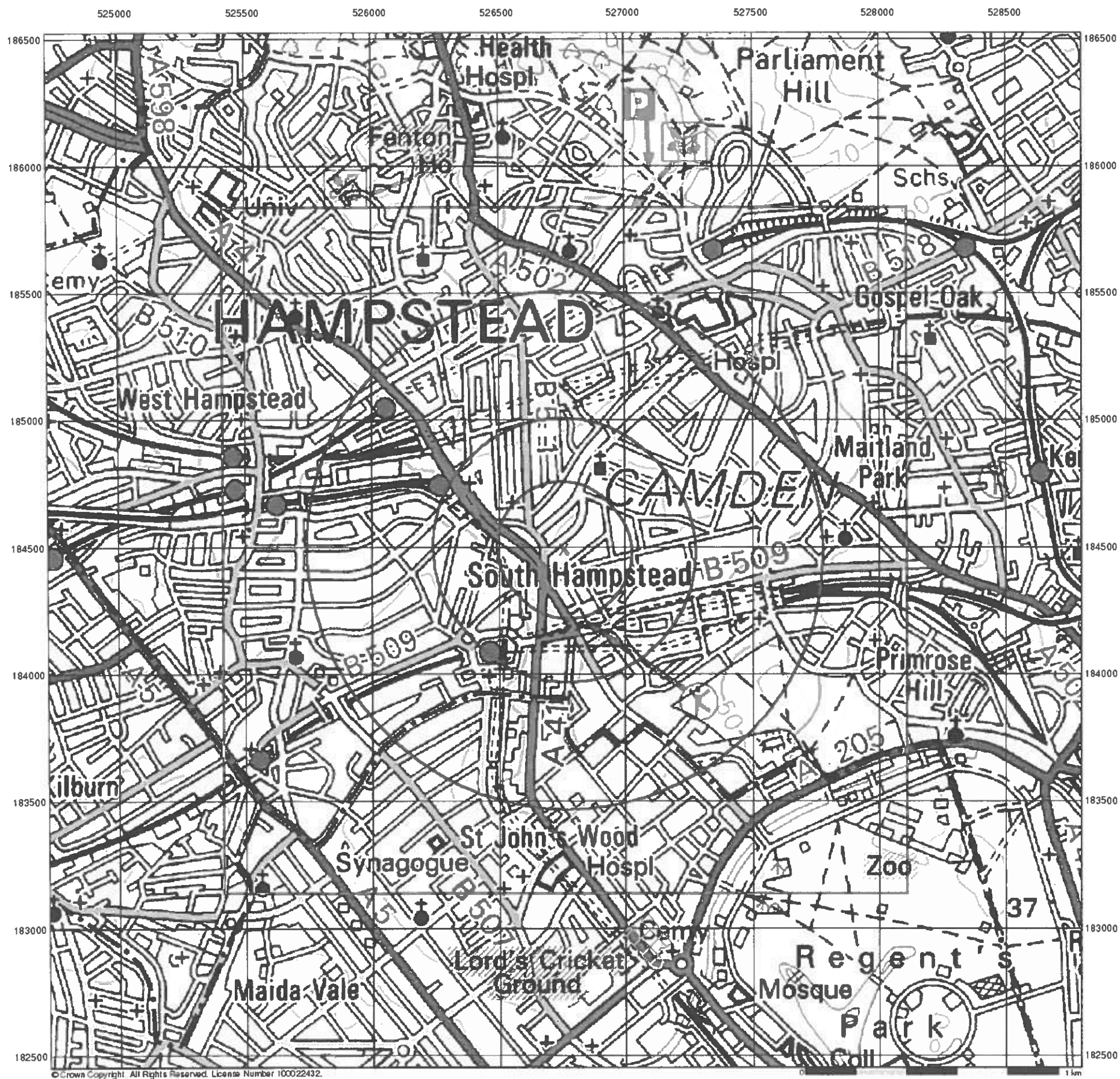
Order Number: 52695727_1_1
 Customer Ref: 35 Buckland
 National Grid Reference: 526760, 184490
 Slice: A
 Site Area (Ha): 0.05
 Search Buffer (m): 1000

Site Details

Flat 2-3, 35 Buckland Crescent, LONDON, NW3 5DJ



Tel: 0844 844 9952
 Fax: 0844 844 9951
 Web: www.envirocheck.co.uk



© Crown Copyright. All Rights Reserved. License Number 100022432.



Sensitive Land Uses

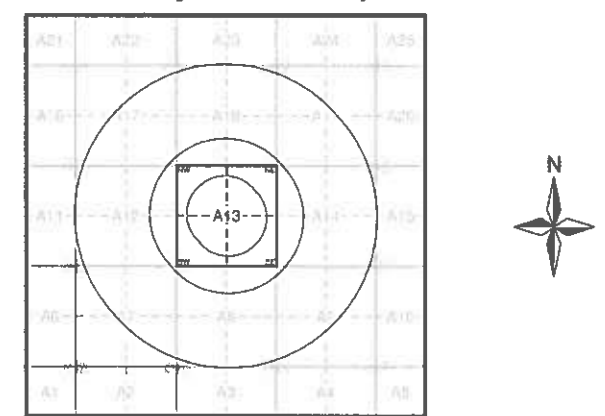
General

- Specified Site
- Specified Buffer(s)
- Bearing Reference Point
- Slice
- Map ID

Sensitive Land Uses

- Area of Adopted Green Belt
- Area of Unadopted Green Belt
- Area of Outstanding Natural Beauty
- Environmentally Sensitive Area
- Forest Park
- Local Nature Reserve
- Marine Nature Reserve
- National Nature Reserve
- National Park
- Nitrate Sensitive Area
- Nitrate Vulnerable Zone
- Ramsar Site
- Site of Special Scientific Interest
- Special Area of Conservation
- Special Protection Area

Site Sensitivity Context Map - Slice A



Order Details

Order Number: 52695727_1_1
 Customer Ref: 35 Buckland
 National Grid Reference: 526760, 184490
 Slice: A
 Site Area (Ha): 0.05
 Search Buffer (m): 1000

Site Details

Flat 2-3, 35 Buckland Crescent, LONDON, NW3 5DJ



Tel: 0844 844 9952
 Fax: 0844 844 9951
 Web: www.envirocheck.co.uk