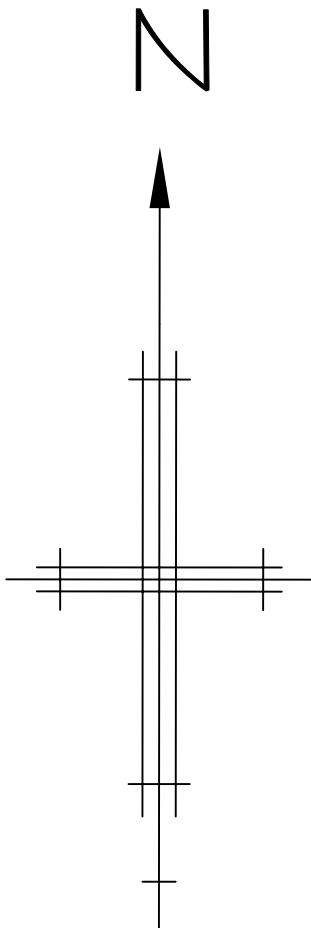




(c) UKMap Copyright, The GeoInformation Group 2013 Licence No. LANDM.LON10000912118

## LOCATION PLAN ~ 1:1250



REV B - Ground floor depth reinstated as built  
 REV A - Entire rear wall moved forwards 940mm  
 REVISIONS

14/02/2014  
 13/02/2014  
 DATE

**Architectural  
 Design & Planning**

32 Grange Road  
 Plymouth PL7 2HY

t: 01752 341696  
 f: 01752 342503

**DESIGN  
 WORKS**

TITLE

LOCATION PLAN

ADDRESS

33c MILL LANE  
 LONDON NW6 1NZ

CLIENT

COBSTAR Ltd

SCALE

1:1250

© A4

DATE

FEBRUARY 2013

DRAWING No.

121214/P/03

REV.

B