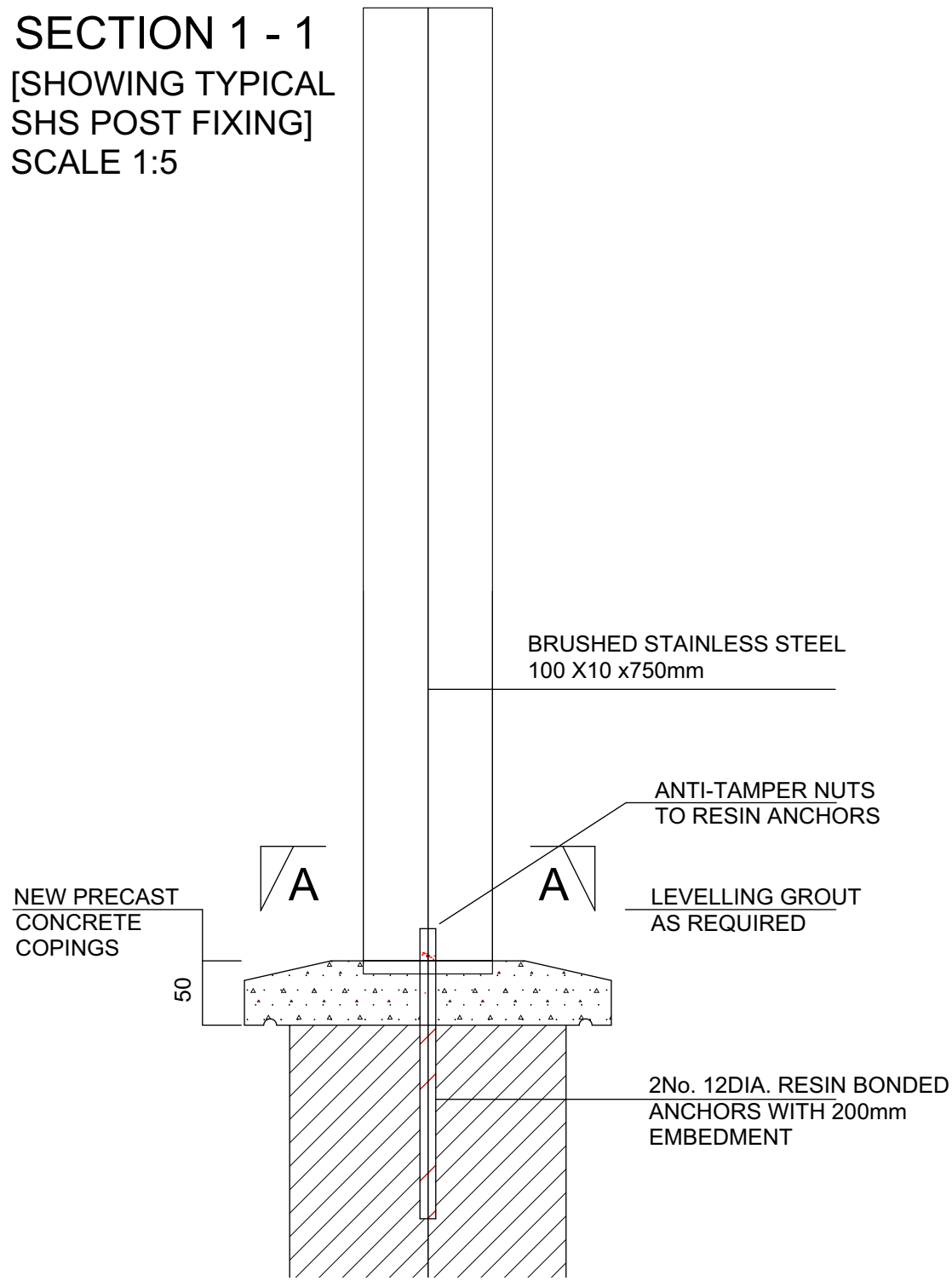


**SECTION 1 - 1**  
 [SHOWING TYPICAL  
 SHS POST FIXING]  
 SCALE 1:5



BRUSHED STAINLESS  
 STEEL  
 100X10X750 MM  
 BALUSTERS WELDED TO  
 THE BOTTOM STEEL PLATE

ANTI-TAMPER NUTS  
 NEW PRECAST CONCRETE  
 COPINGS

BRUSHED STAINLESS  
 STEEL PLATE 10MM TH'K

EXISTING BRICK FENCE

BRUSHED STAINLESS STEEL  
 100 X10 x750mm

ANTI-TAMPER NUTS  
 TO RESIN ANCHORS

LEVELLING GROUT  
 AS REQUIRED

2No. 12DIA. RESIN BONDED  
 ANCHORS WITH 200mm  
 EMBEDMENT

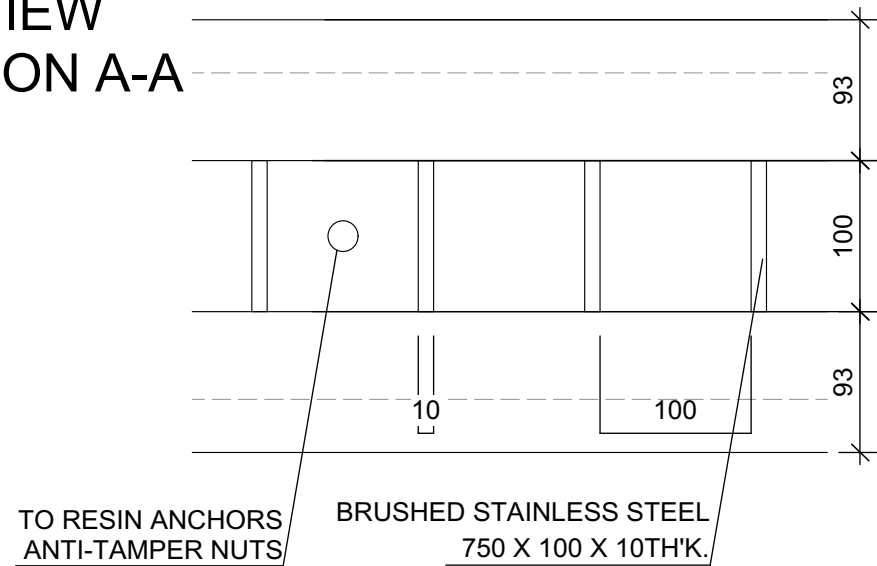
NEW PRECAST  
 CONCRETE  
 COPINGS

50

A

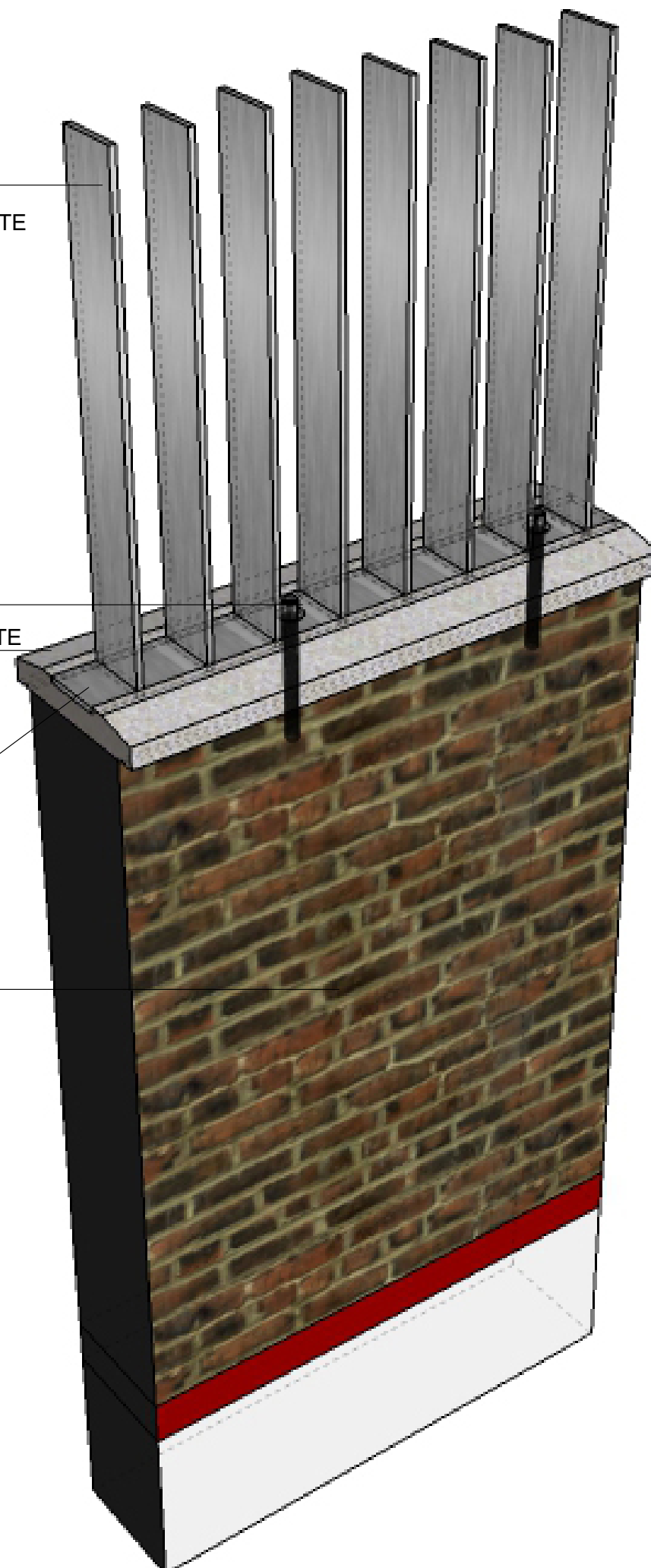
A

**TOP VIEW**  
**SECTION A-A**  
 SCALE 1:5



TO RESIN ANCHORS  
 ANTI-TAMPER NUTS

BRUSHED STAINLESS STEEL  
 750 X 100 X 10TH'K.



Copyright Peter Morris Architects  
 NOTES:  
 Any discrepancies on this drawing with other contract documents  
 to be reported immediately to the Contract Administrator for  
 clarification.

FOR PLANNING

rev	date	by	comment	chkd



Client  
 City of London

Job  
 PARLIAMENT HILL FIELDS  
 LIDO PERIMETER WALLS  
 PARLIAMENT HILL FIELDS  
 London

Drawing Title  
 PROPOSED  
 LIDO  
 PERIMETER WALLS  
 FENCE DETAILS

Scale 1:5 @ A3

Date	Drawn	Issued	Checked
16.11.2015	KT	PM	PM

Drg. No.	Rev.
178 012	A