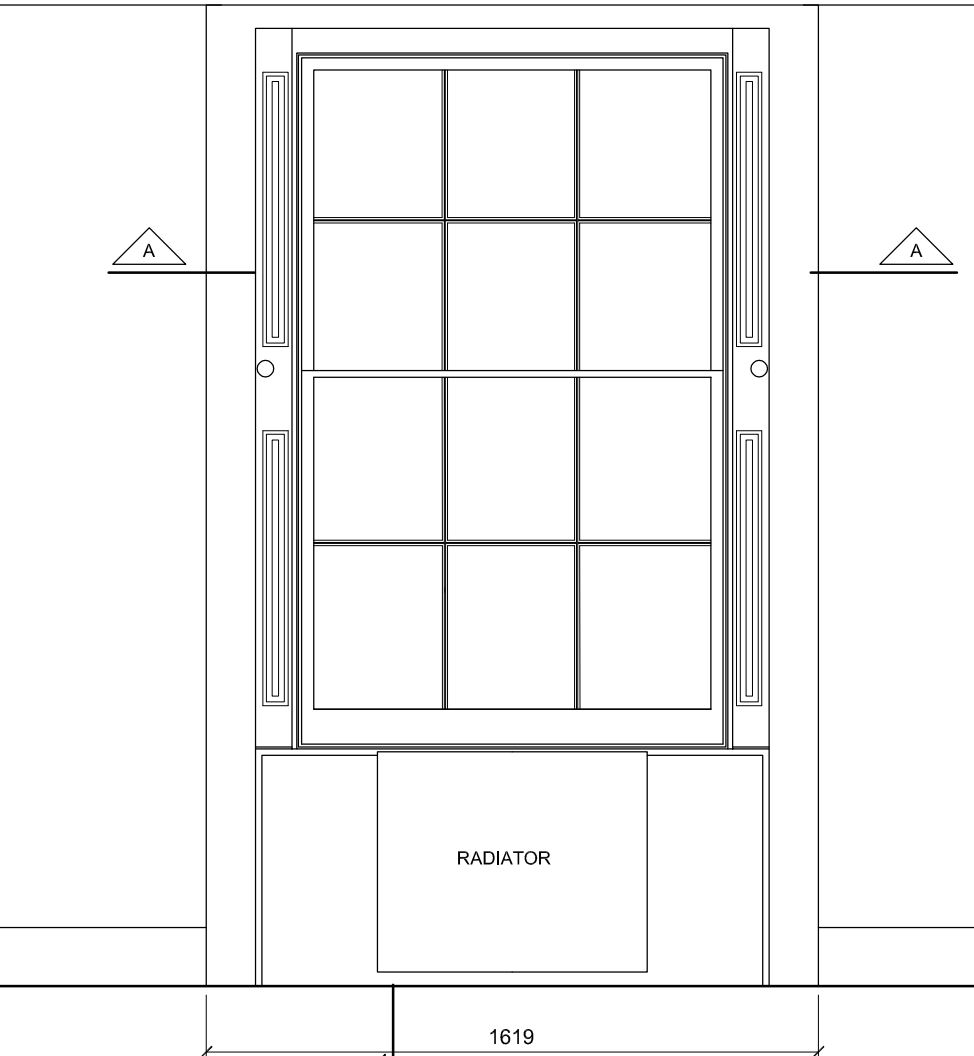
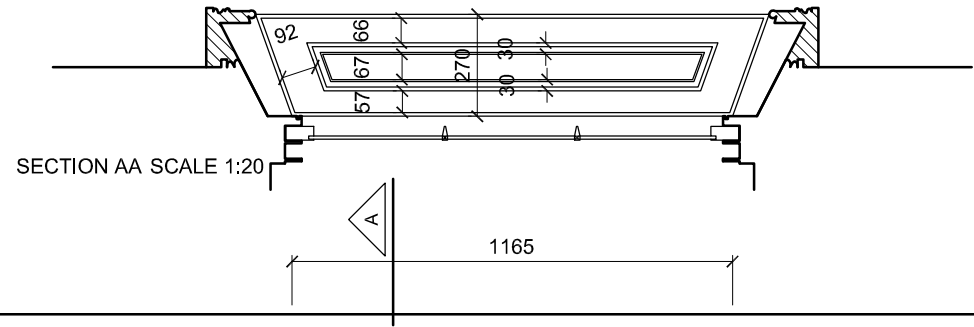
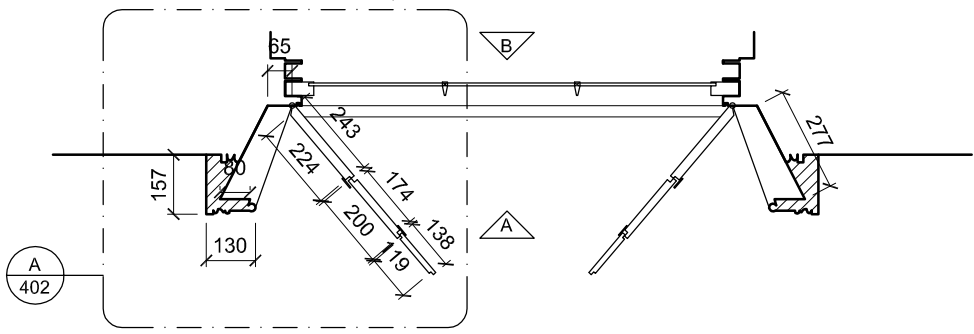


REVISIONS
23.11.15_REV A
 - SHUTTERS REVISED

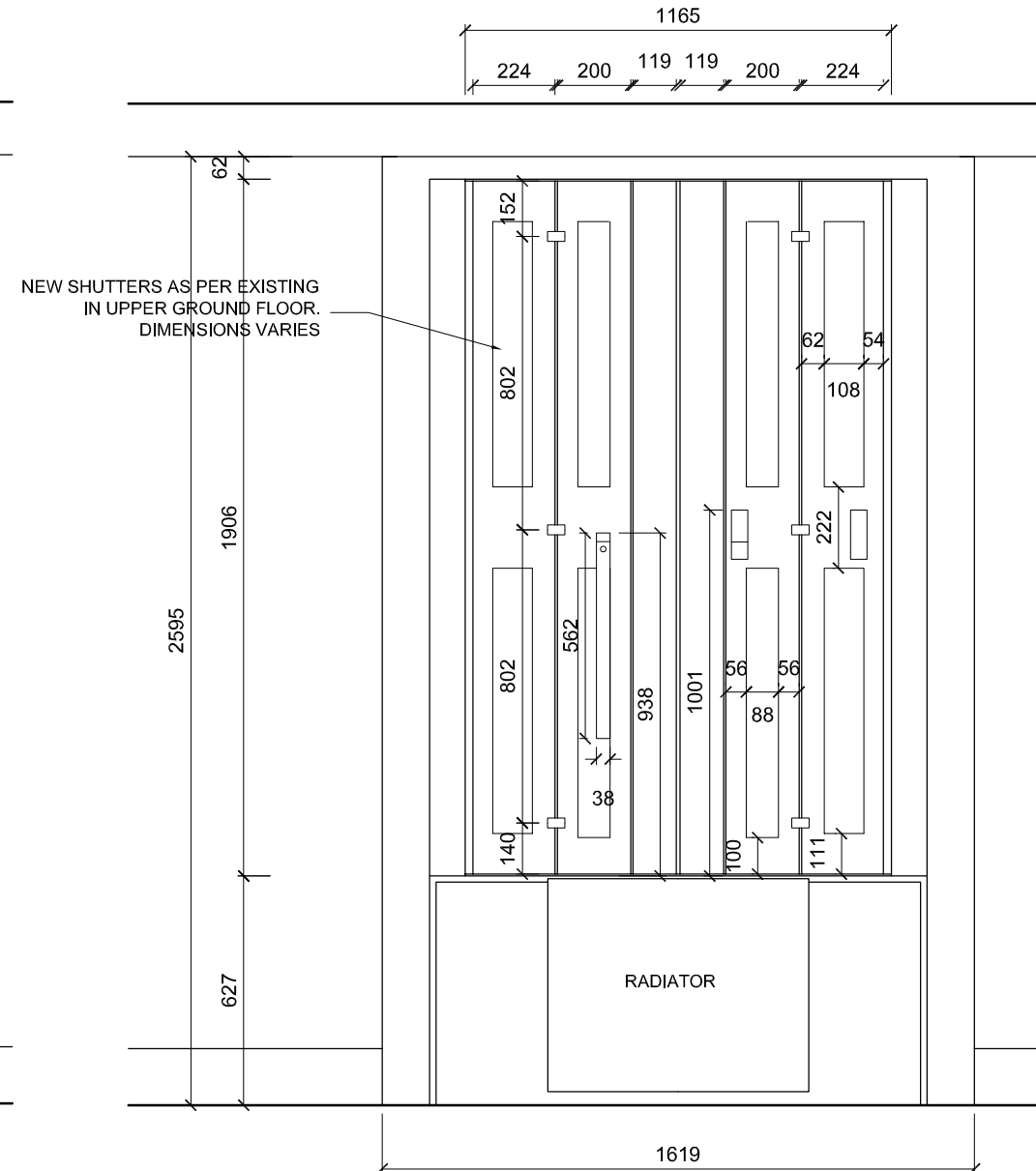
NOTES
 - DIMENSIONS TO BE CHECKED
 ONSITE BY JOINERY
 SUBCONTRACTOR.



ELEVATION A OPEN SHUTTERS (INSIDE) SCALE 1:20

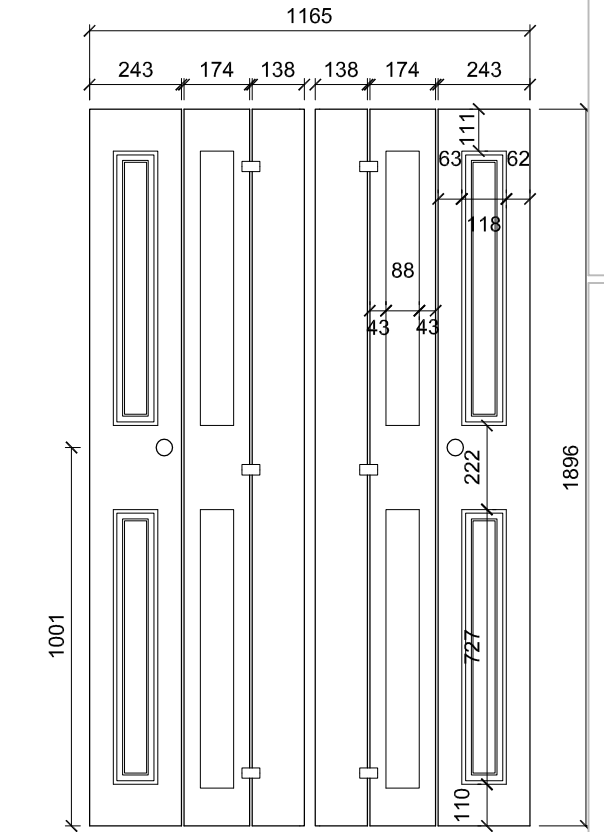


PLAN SCALE 1:20

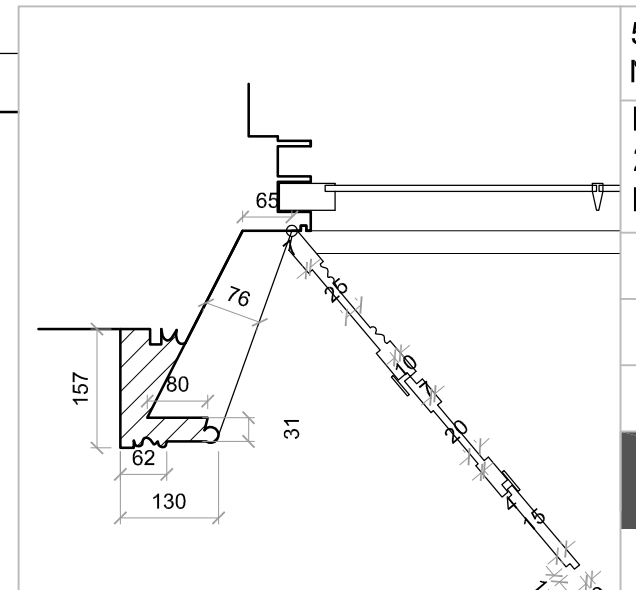


ELEVATION A CLOSE SHUTTERS (INSIDE) SCALE 1:20

NEW SHUTTERS AS PER EXISTING
 IN UPPER GROUND FLOOR.
 DIMENSIONS VARIES



ELEVATION B CLOSE SHUTTERS (OUTSIDE) SCALE 1:20



DETAILS A SHUTTERS SCALE 1:10

5 PROVOST ROAD,
 NW3 4ST
 FIRST FLOOR BEDROOM
 2 WINDOW PROPOSED
 NEW SHUTTERS

DWG No: 5PR/P402A

SCALE: 1 - 20 @A3

DATE: NOV 2015

belsize
 architects

48 PARKHILL ROAD, LONDON NW3 2YP
 TEL 020 7482 4420 - FAX 020 7482 4186
 MAIL@BELSIZEARCHITECTS.COM

© COPYRIGHT
 NOT TO BE REPRODUCED OR USED
 WITHOUT PERMISSION