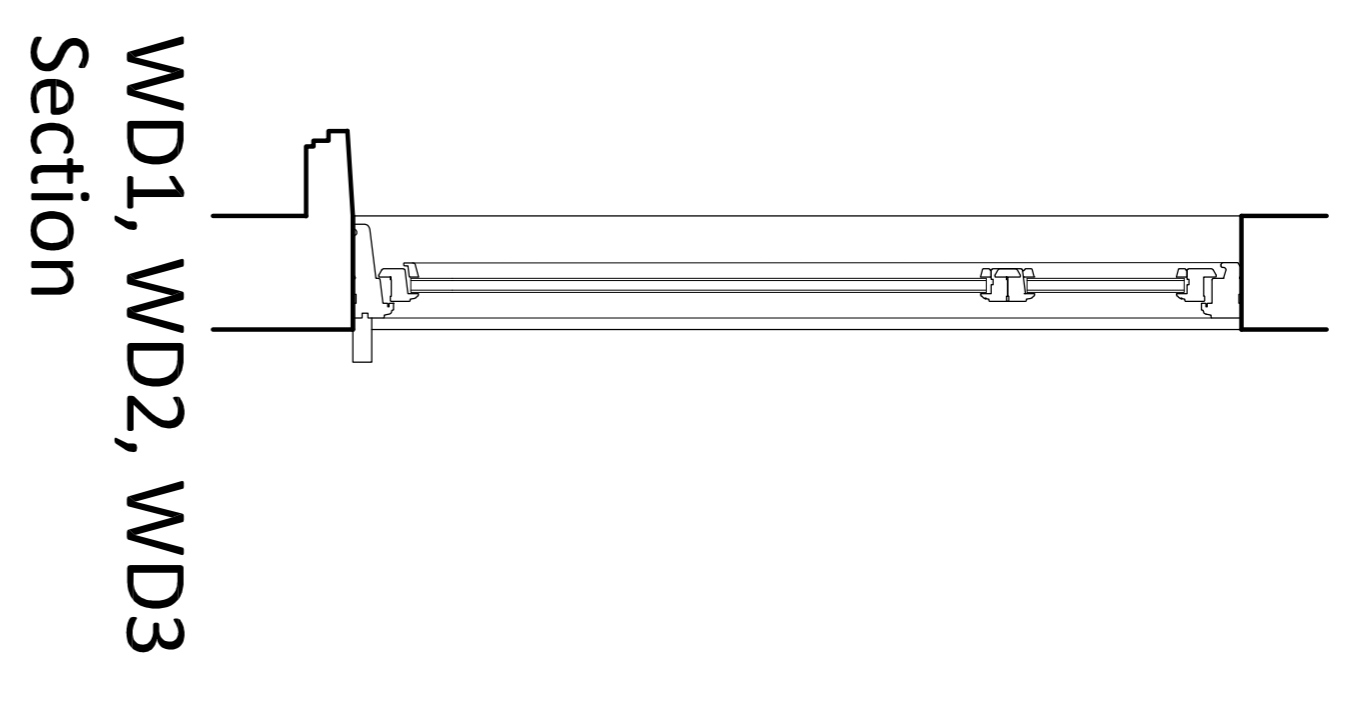
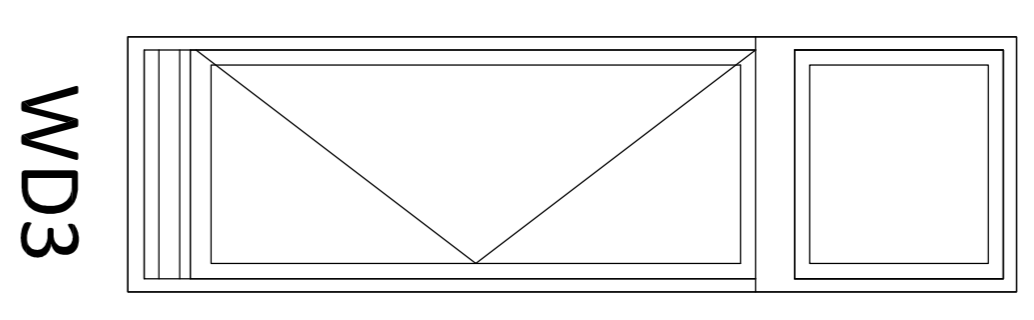
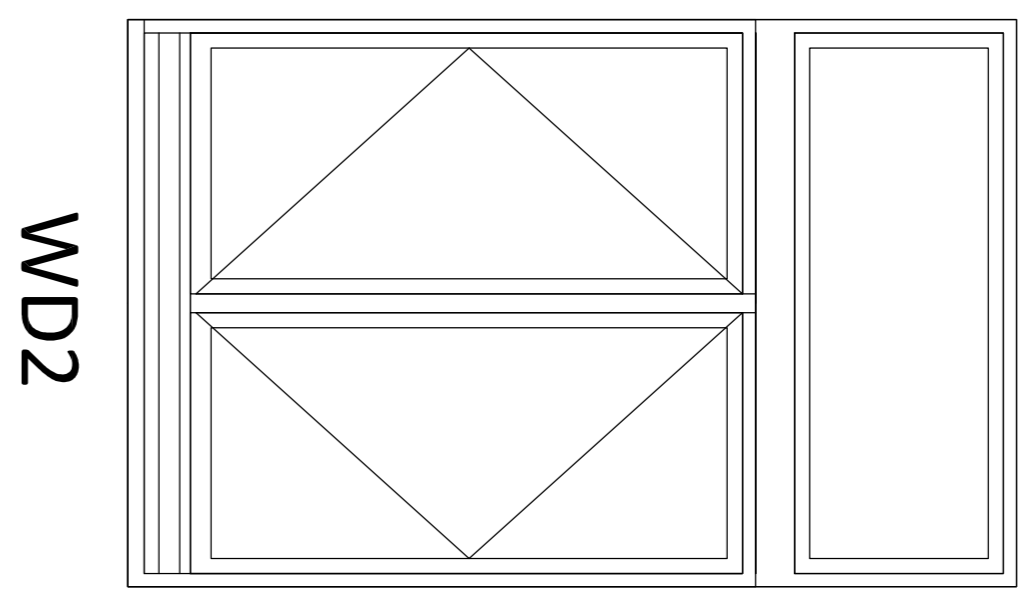
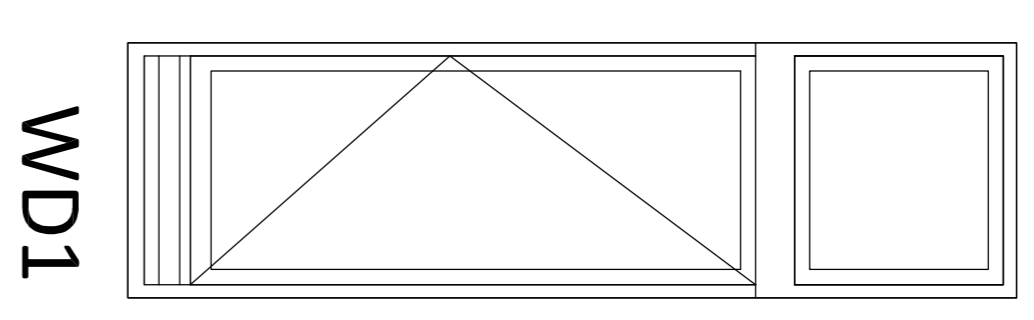
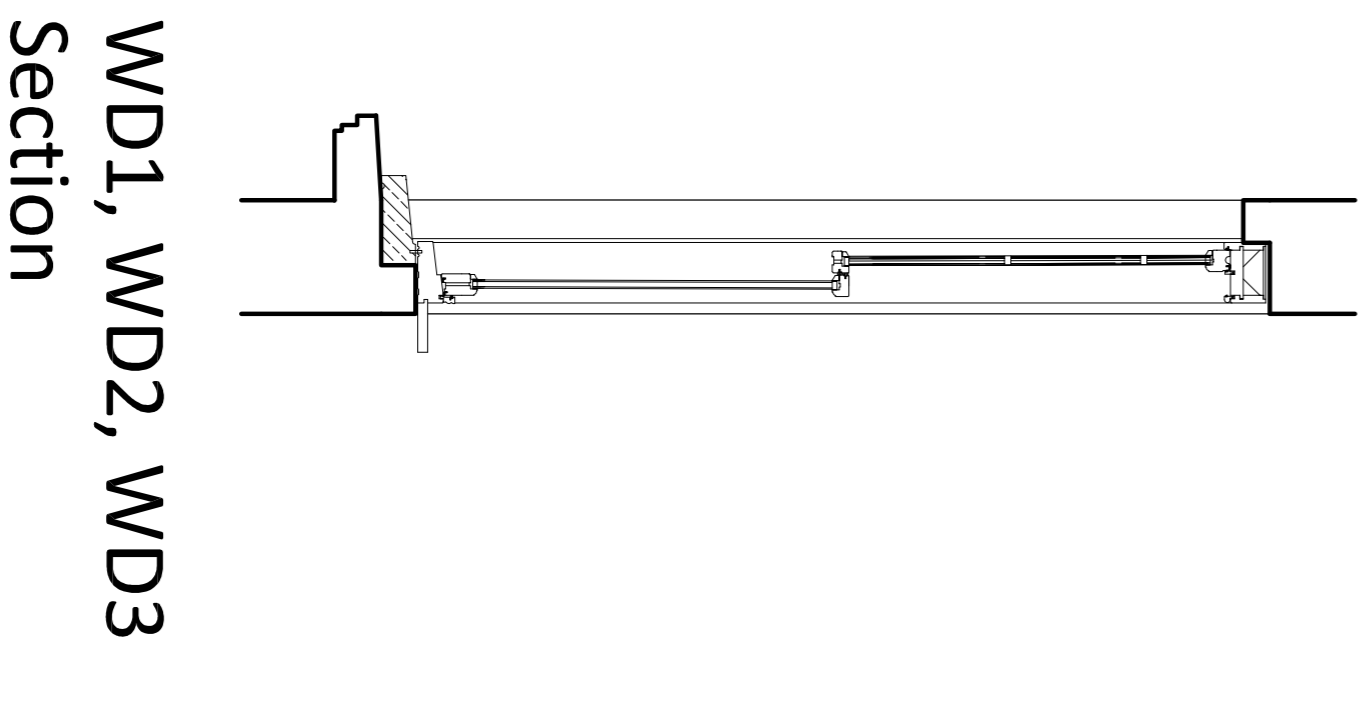
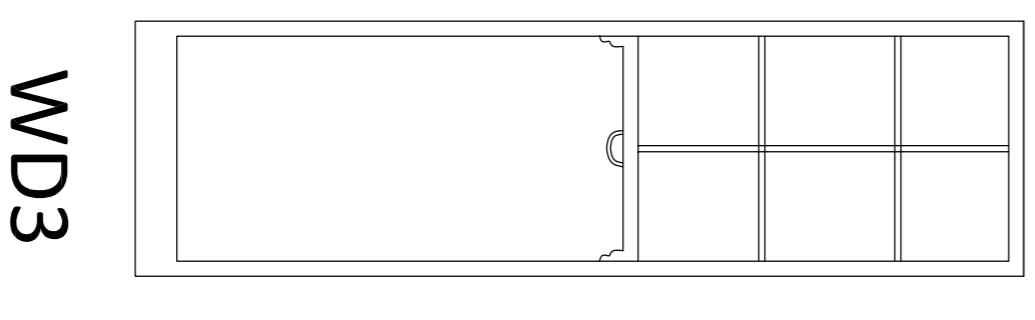
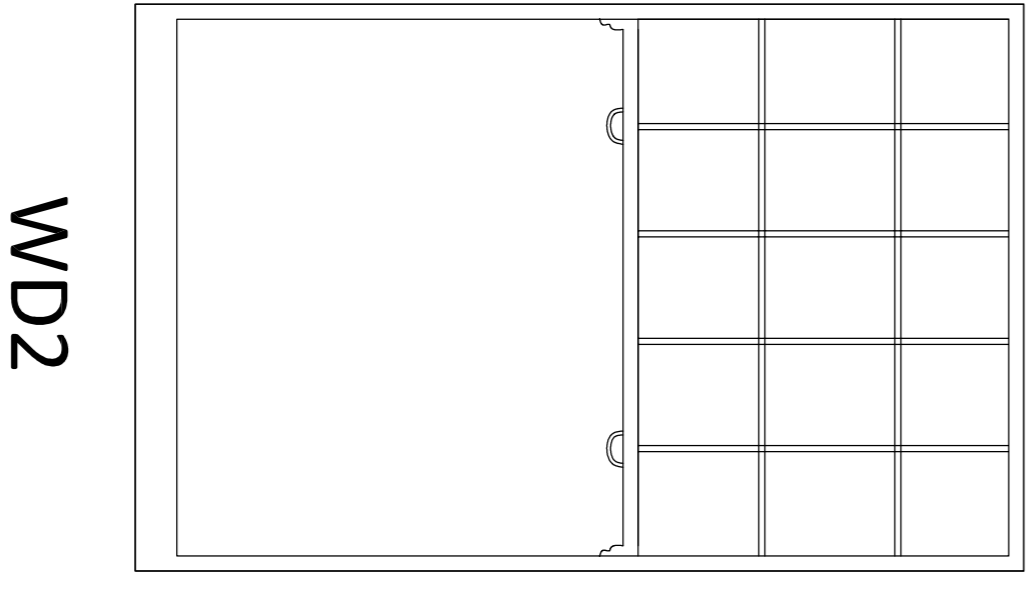
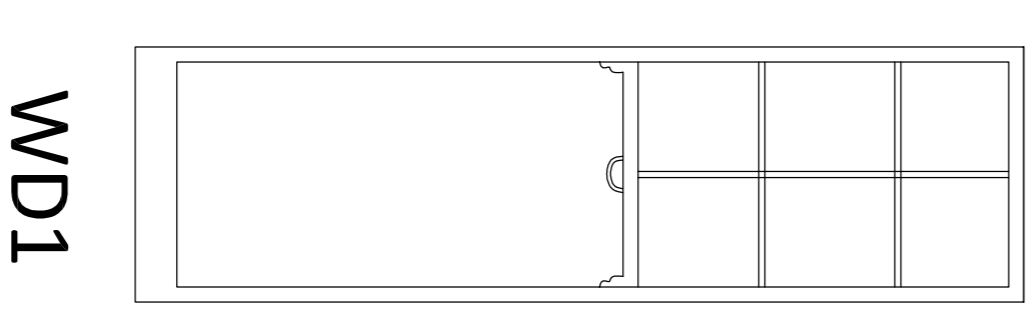


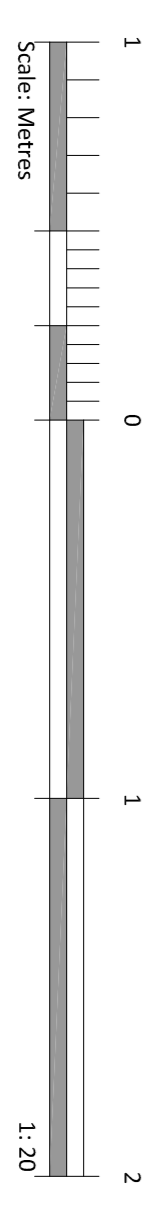
GROUND FLOOR PLAN Scale 1:100



EXISTING



PROPOSED



8 amended window panel profile JRS
rev. A Changed panel layout to Sash window JRS
PROJECT
Flats 1 and 2
7 Strathray Gardens
London
NW3 4PA

client
drawing
PLANNING
Existing and Proposed
Windows and Sections
and Ground Floor Plan

drawn checked date
JRS RS 20.11.2015
scale 1:20 1:100 @ paper size
drawing no 7905 / 105B A1

MDC HERSCHELLMAN
DEVELOPMENT
CONSULTANCY
66 Bickenhall Mansions
Bickenhall Street
London W1U 6BS
t: +44(0)207 486 6675
e: info@mcdlondon.com
w: www.mcdlondon.com