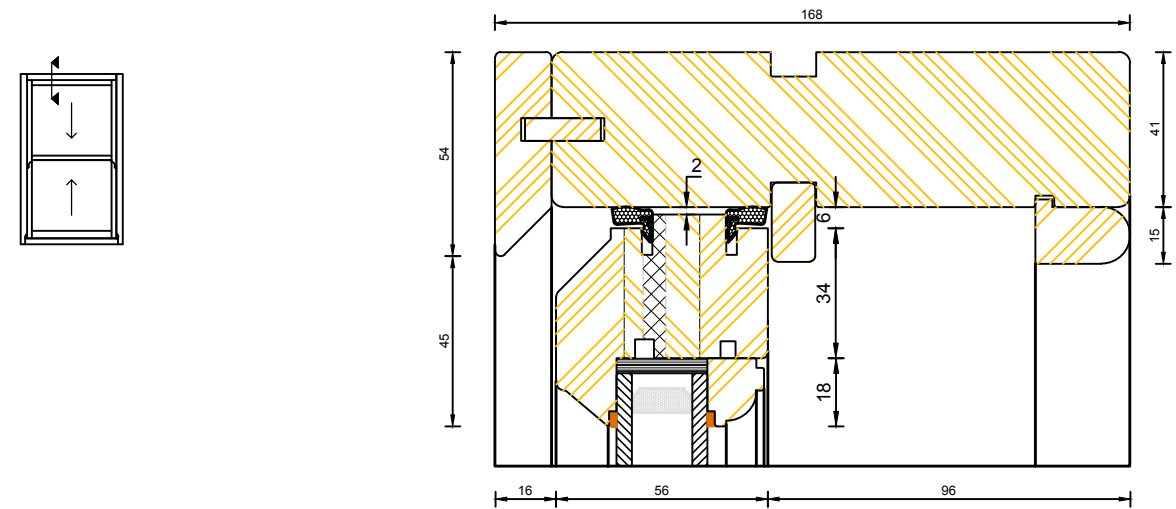
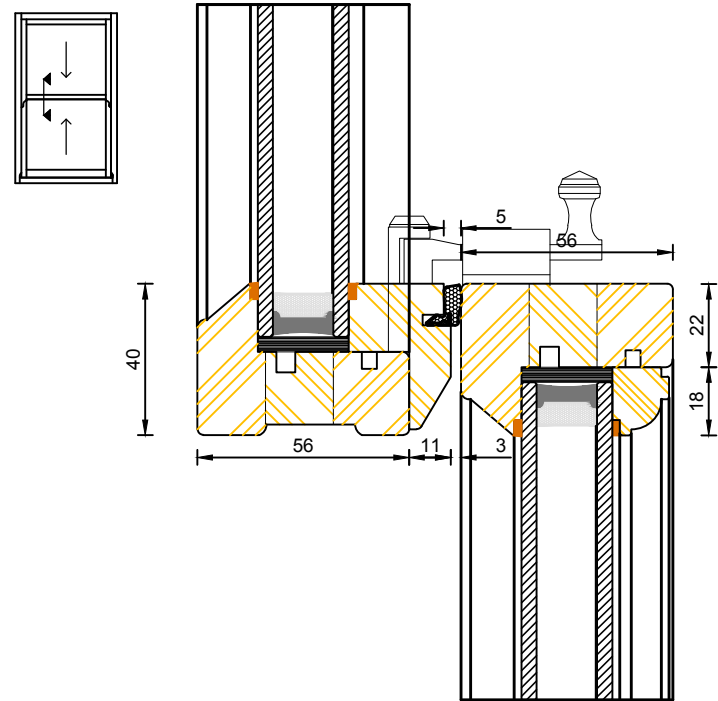


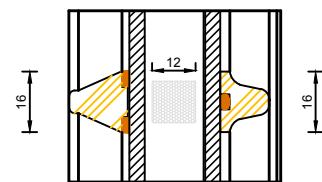
Jamb Detail



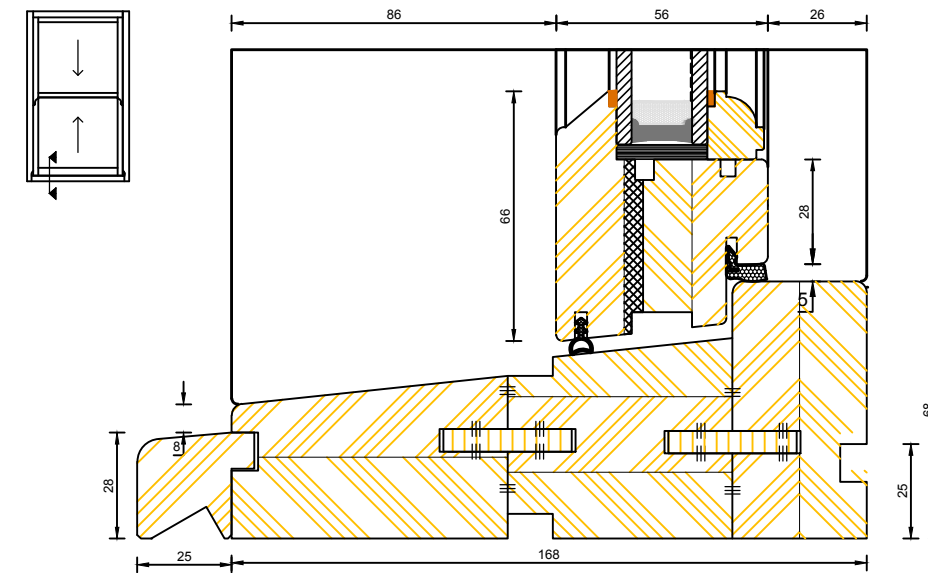
Head Section Detail



Meeting Rail Section



Glazing Bar Detail



Cill SectionDetail



Revision	Date	Drawn By	Checked

Date: Nov 2015	Client: London Borough of Camden
Drawn: AF	Project: Norbiton and Kingston House, Camden Road, NW1 0LD
Check: RP	Title: Sliding Sash Details - with glazing bar
Scale: 1:2@A3	Drg.No. M15/162-002 Revision: /