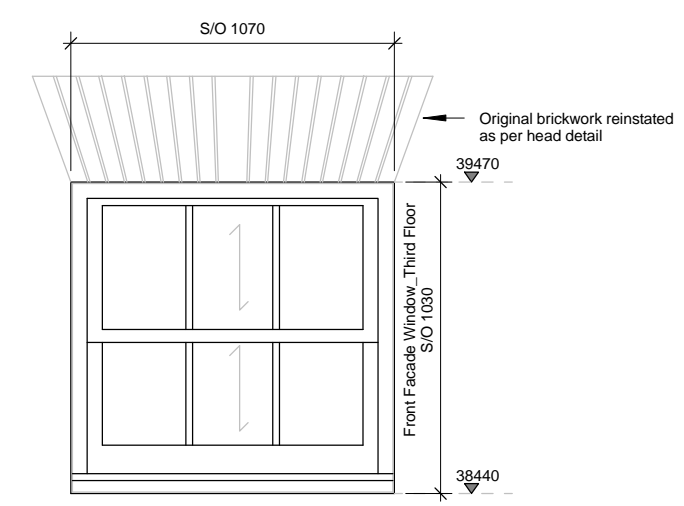
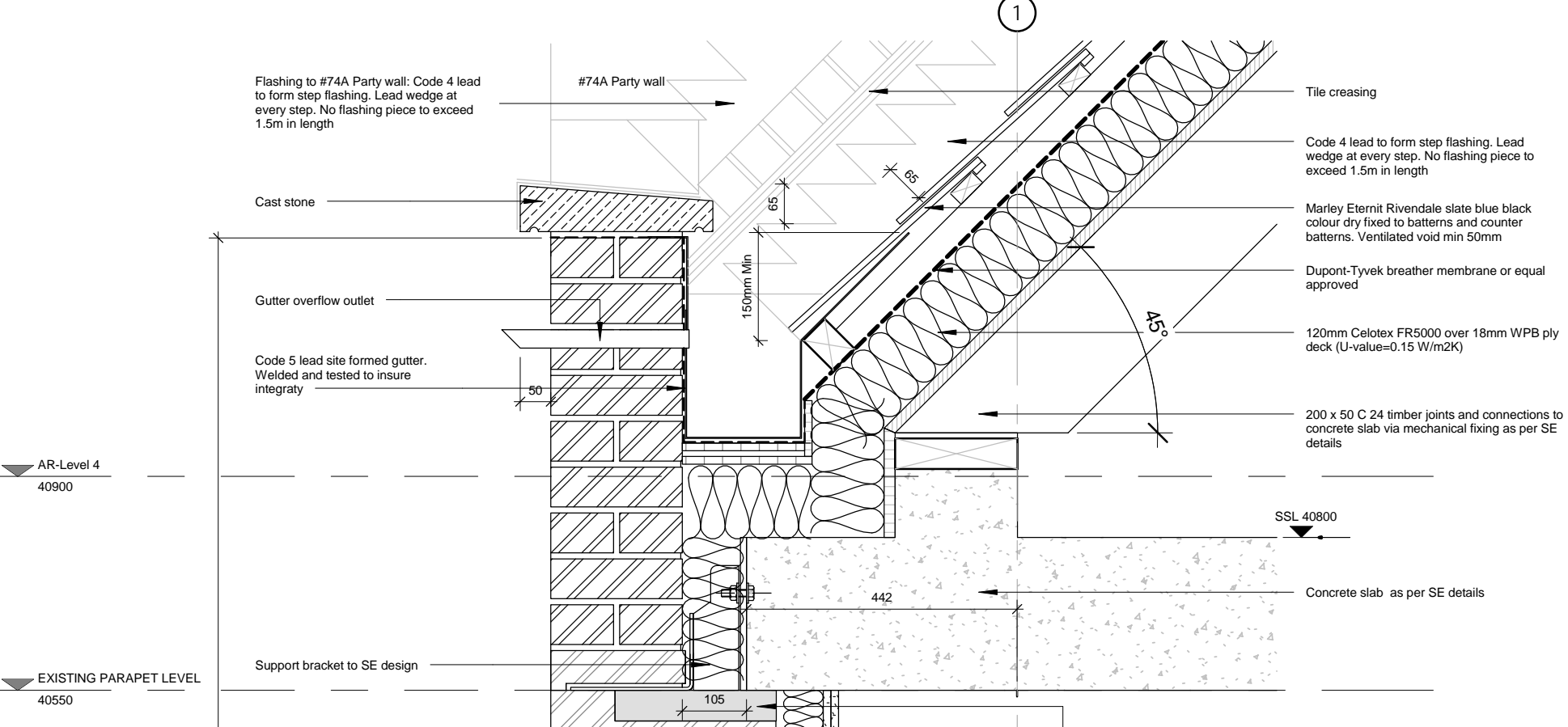
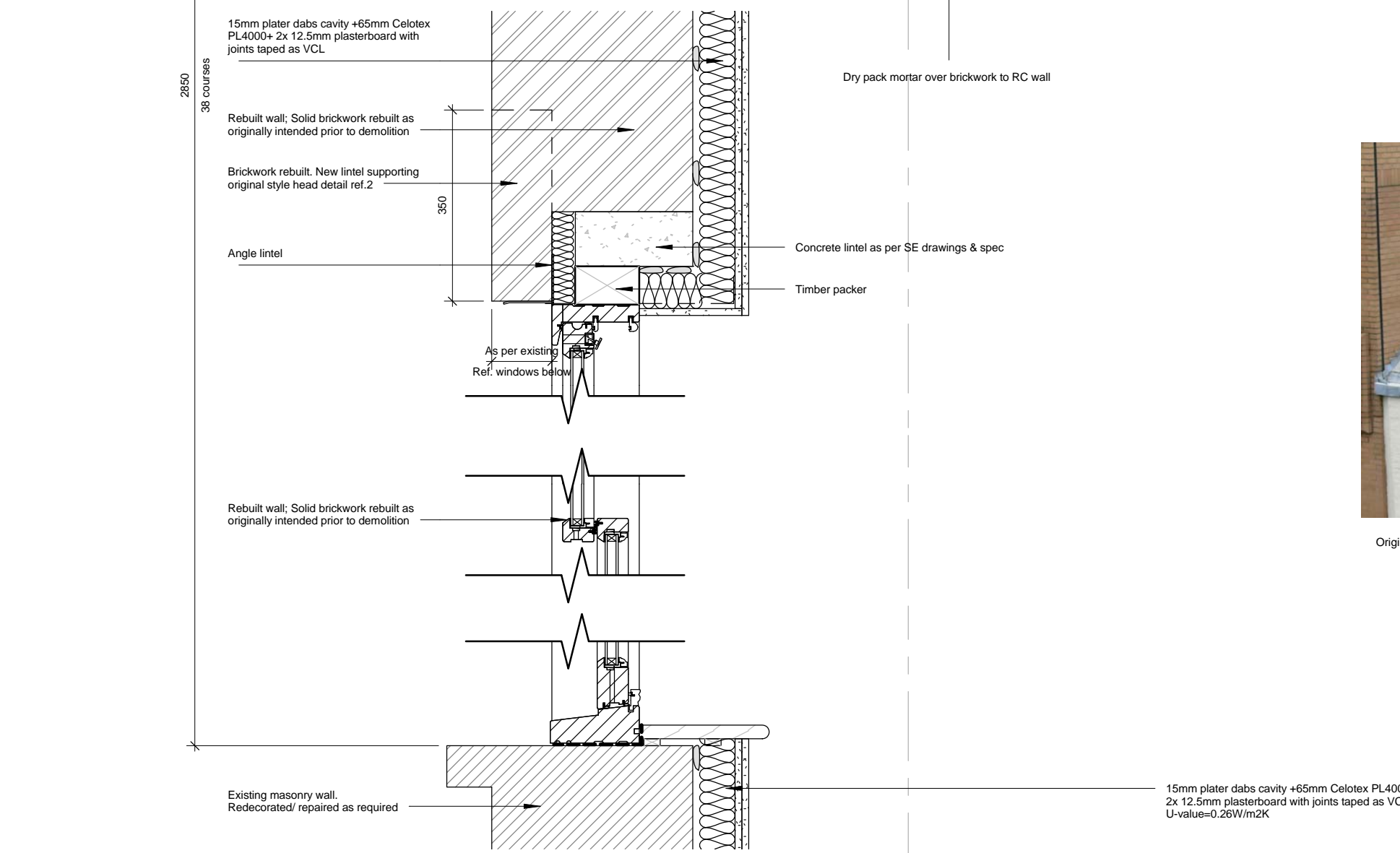


NOTES
 CONTRACTORS MUST VERIFY ALL DIMENSIONS ON SITE BEFORE COMMENCING ANY WORK ON SHOP DRAWINGS
DO NOT SCALE FROM THIS DRAWING
 MCBAINS COOPER CONSULTING LTD COPYRIGHT

BIM TRANSMITTAL DISCLAIMER
 MCBAINS COOPER CONSULTING LTD MAKES NO EXPRESS OR IMPLIED WARRANTIES WITH RESPECT TO THE CHARACTER, FUNCTION, OR CAPABILITIES OF THE DATA (INCLUDING OF 3RD PARTY DATA INCORPORATED WITHIN), OR THE SUITABILITY OF THE DATA FOR ANY PARTICULAR PURPOSE BEYOND THOSE ORIGINALLY INTENDED BY MCBAINS COOPER CONSULTING LTD. PLEASE REFER TO OUR STANDARD TERMS AND CONDITIONS FOR FURTHER DETAILS.



2 Window Elevation reference
 1 : 25



1 Parapet coping & concealed gutter
 1 : 10



Original facade photograph

B	REPLACE ALUMINIUM COPING WITH STONE	30/09/15	MF
A	ISSUED FOR CONSTRUCTION	24/09/15	MF
REV	AMENDMENT	DATE	CHKD
DRAWING STATUS CONSTRUCTION			



MCBAINS COOPER CONSULTING LTD.
 120 OLD BROAD STREET LONDON EC2N 1AR
 TELEPHONE: 020 7786 7900 FACSIMILE: 020 7786 7999

CLIENT
 KAHUNA

PROJECT
 74 Charlotte Street

DRAWING TITLE
 Parapet coping & Concealed gutter_Front pitch roof

ARCHITECTURE

SCALE As indicated @ A3 LF
 DRAWN BY LF
 CHECKED MF
 DATE SEP 15

DRAWING NUMBER	REVISION
57802 / 402-08	B