

**This drawing is only an INDICATIVE drawing.
This is NOT a fabrication drawing.
Do NOT scale from this drawing.**

**The under Mentioned relates to
general notes for
guidance purposes only**

BS 8213-1:2004
(Window Installation/safety and cleaning standard) Which makes reference to design, construction, operation and maintenance of windows.
A risk assessment should be carried out and a written record of the assessment kept, and signed by the client and designer/contractor/fabricator.

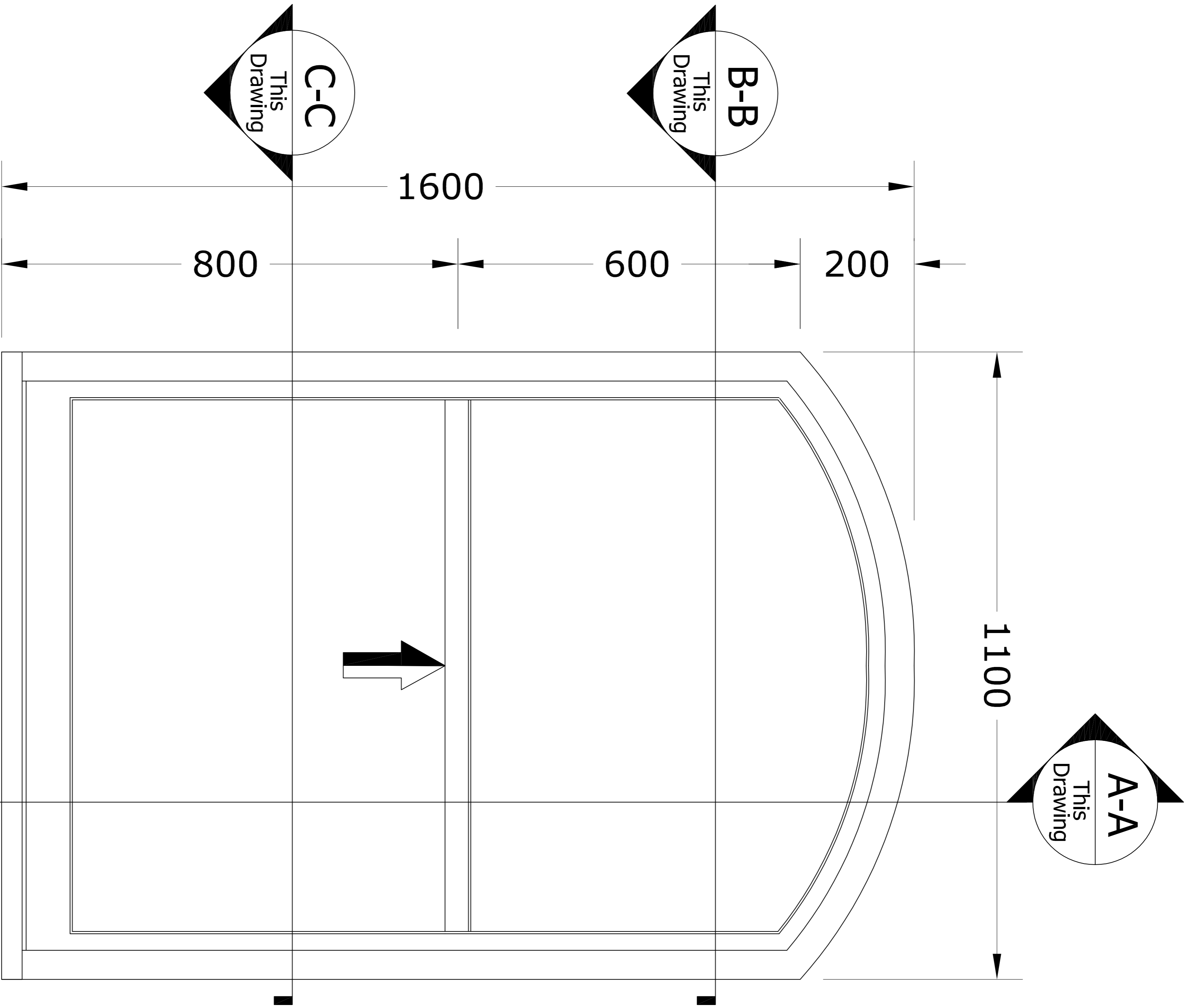
Essential considerations:

1. Design for safety in use.
2. Means of escape from Fire.
3. Security from unauthorized entry.
4. Design for safety when cleaning (the minimum height for incorporation of transoms (safety falls in windows above floor level in high rise buildings, two storey's and above).
5. Maintenance.

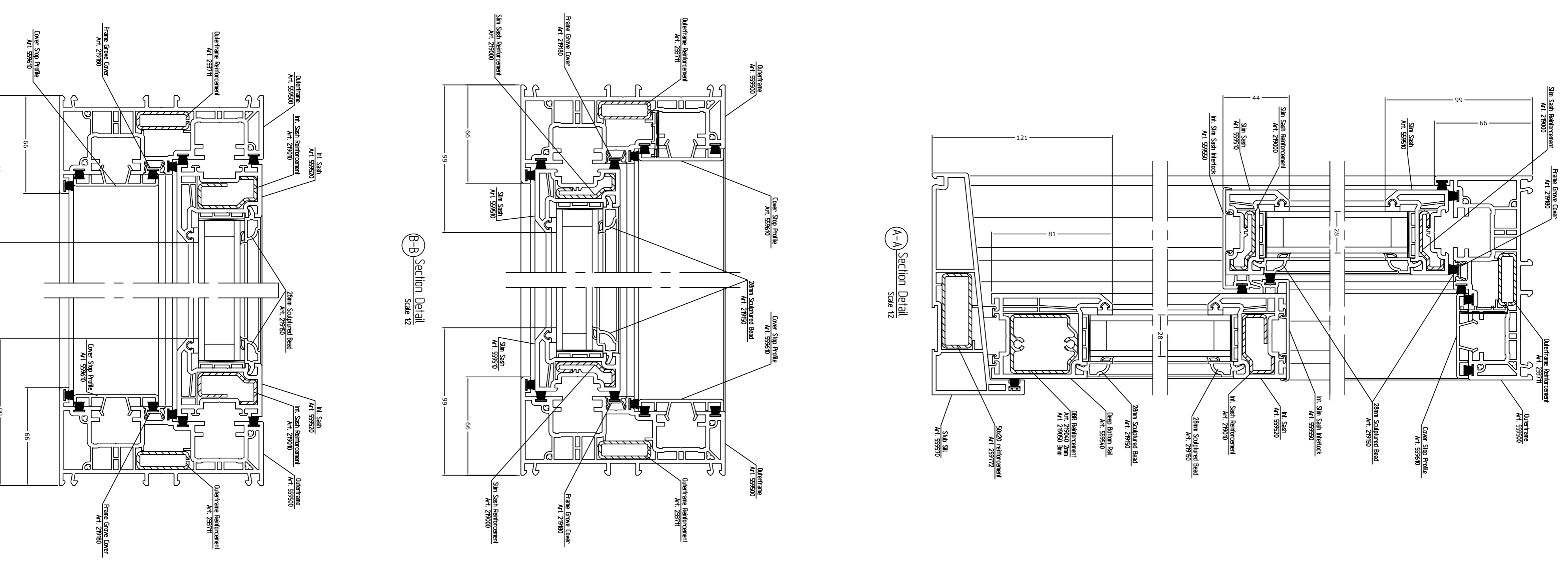
Fixing Note:-

Fixing from outer frame to brickwork to be at maximum 500mm centres and at minimum 200mm from corners or transom/mullions. Each fixing should be rated at 1.5kn shear. Fixing screws must be installed in accordance with manufacturers instructions.

" All statements, technical information and recommendations are based on experience and are to the best of our knowledge correct but are given without obligation and for guidance purposes only. Their accuracy or completeness is not guaranteed. The suitability of any Rehau products for a specific application should be checked by the contractor in advance"



**Elevation
Scale 1:5**



S719 Heritage VVS Window System

All designs subject to REHAU manufacturing guidelines for sash type size/weight/area specifications
Refer to REHAU Manufacturing Instructions 7/9/6/06
Section 4, Maximum sash sizes: White profile only.
Maximum sash size (outer dimension of frame)

Maximum sizes-Heritage Profiles	Maximum sizes-Heritage Profiles
Article No. 559760 & 559750	Article No. 559790 & 559750
(Slim Sash + DBRail)	(Intern. sash + DBRail)
Max. width 1170mm	Max. width 500mm
Max. Height 2450mm	Max. Height 3000mm

PRODUCT	Roseview Windows Chase Windows
REHAU	Rehau Heritage Slider Elevations & Sections
REV	MANUFACTURERS

DESIGNED BY	DATE	SCALE	PROJECT
S. J. Hillfield	29 Oct. 15	1:5	S719 Heritage VVS Window System
DRAWN BY	CHECKED BY	APPROVED BY	
S. Duggill	K. O. Nhal		
REVISIONS	REHAU Ltd The Millwright Hemel Hempstead Herts. SG9 6ND Tel: 01462 824000 Fax: 01462 76000		
15-77-866-W	E1	-	REHAU Ultimate Polymer Solutions