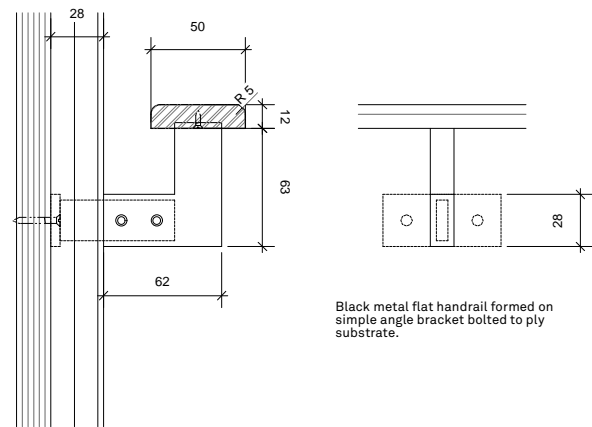
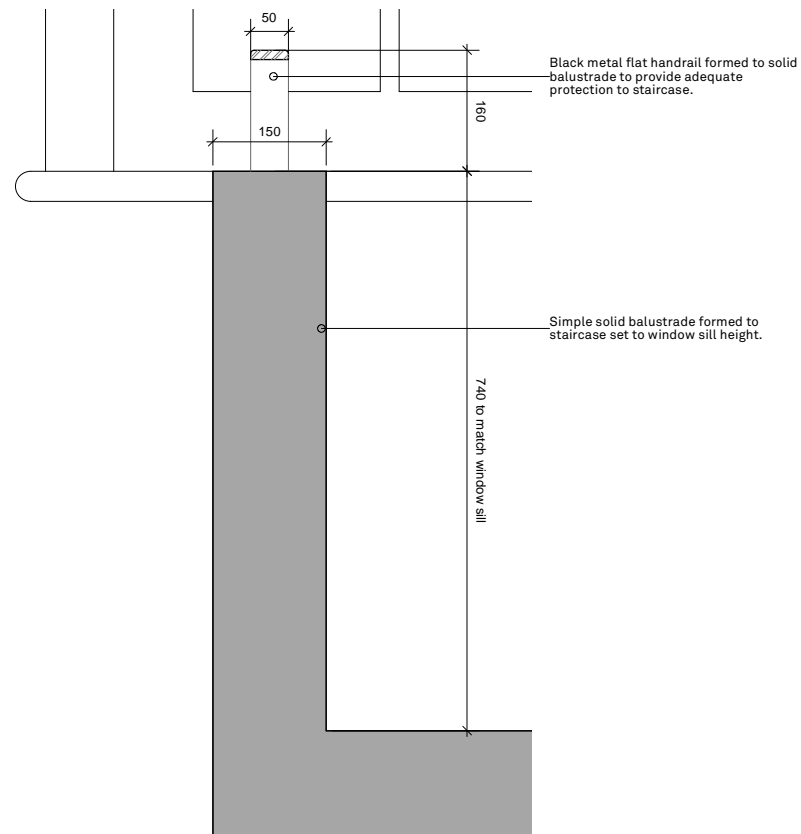


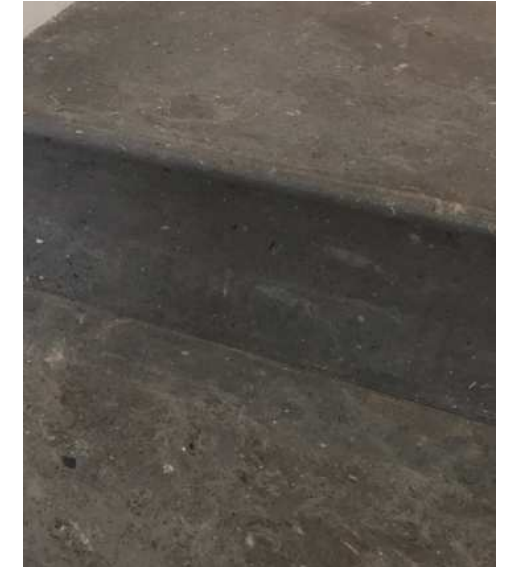
1. INTERNAL STAIR DETAIL



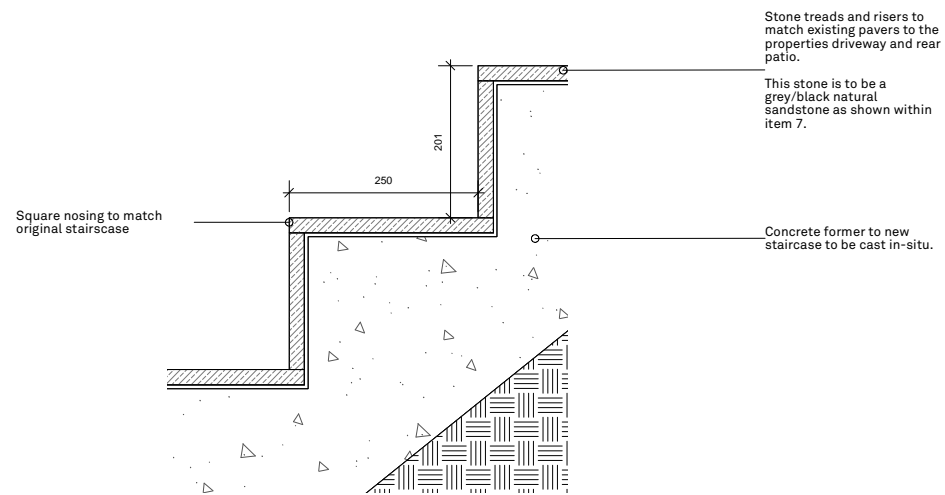
2. INTERNAL STAIR HANDRAIL DETAIL



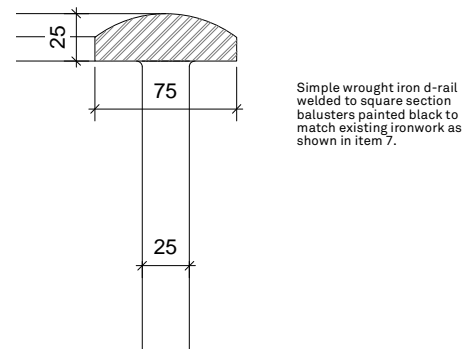
3. INTERNAL STAIR BALUSTRADE DETAIL



4. HANDRAIL BRACKET PRECEDENT AND PROPOSED STONE CLADDING



5. EXTERNAL STAIR DETAIL SECTION



6. EXTERNAL STAIR HANDRAIL DETAIL



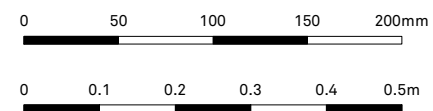
7. PROPOSED STONE FINISH AND IMAGE OF EXISTING RAILINGS AT 20 LYNDHURST ROAD

REV. DATE

NOTES

To be read in conjunction with approved application 2014/7756/L

FOR PLANNING APPLICATION PURPOSES ONLY



PROJECT

21 Lyndhurst Road  
London NW3 5NX

DRAWING TITLE

Internal and External Staircase Details

CLIENT

Mr & Mrs Ungar

JOB NO.

069 LYN

DRAWING

PL 100

REV.

-

SCALE @ A1

1:2 & 1:5

SCALE @ A3

1:4 & 1:10

DRAWN

ml

DATE

11.15

ARCHITECT

**mwai**

48 Broadley Terrace  
London NW1 6LG  
United Kingdom  
+44 (0)20 7258 0332  
www.mwai.co.uk

