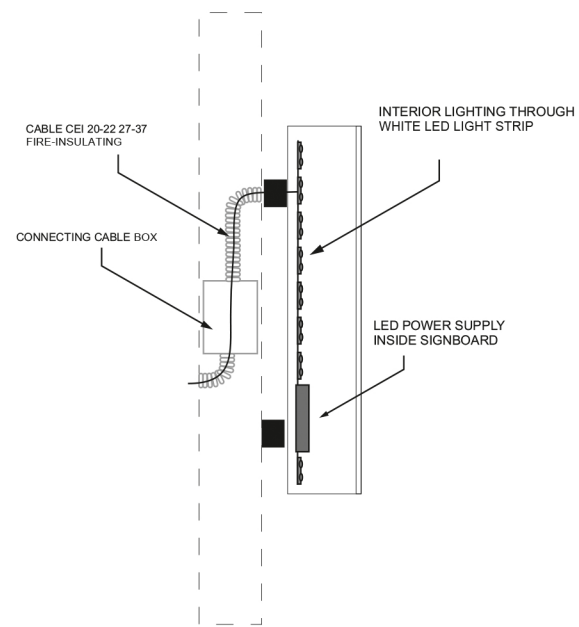
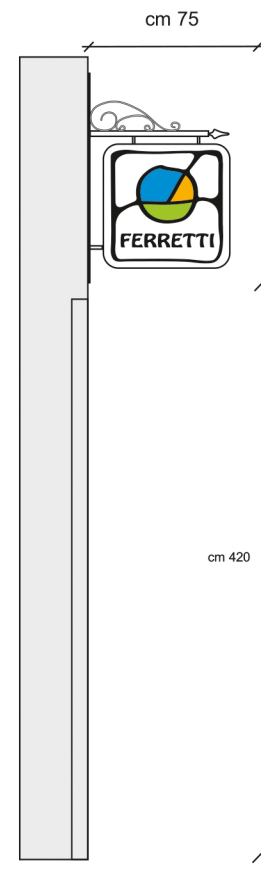


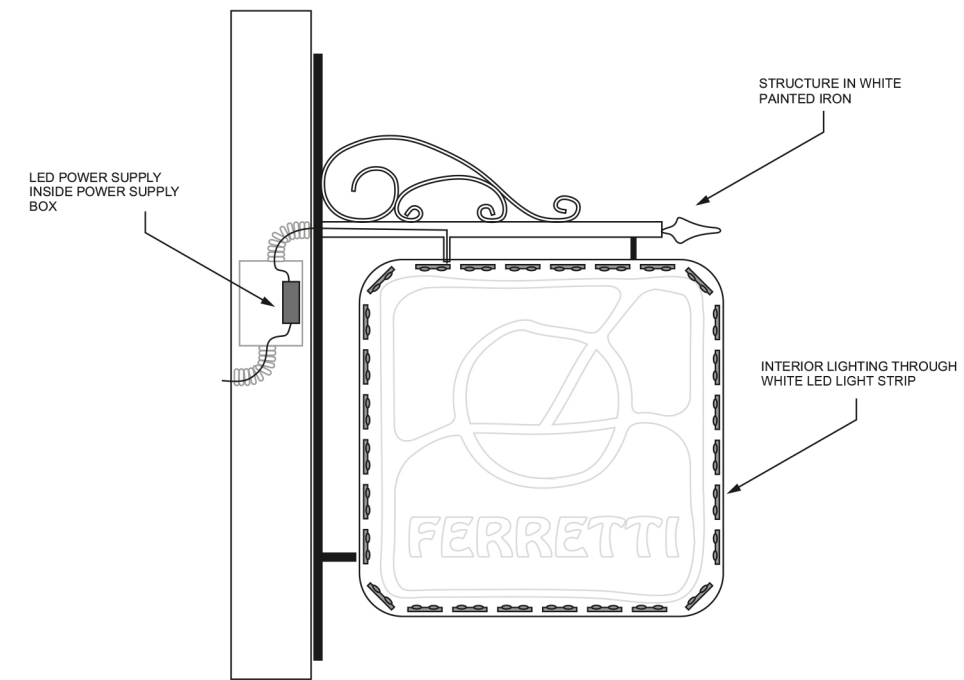
STOREFRONT ELEVATION



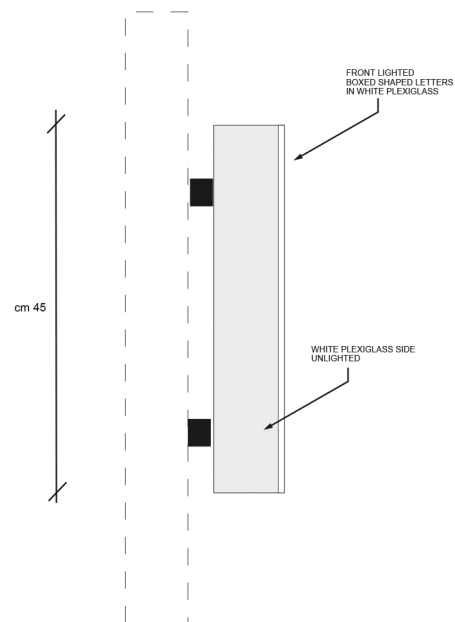
FERRETTI SIGNAGE SECTION



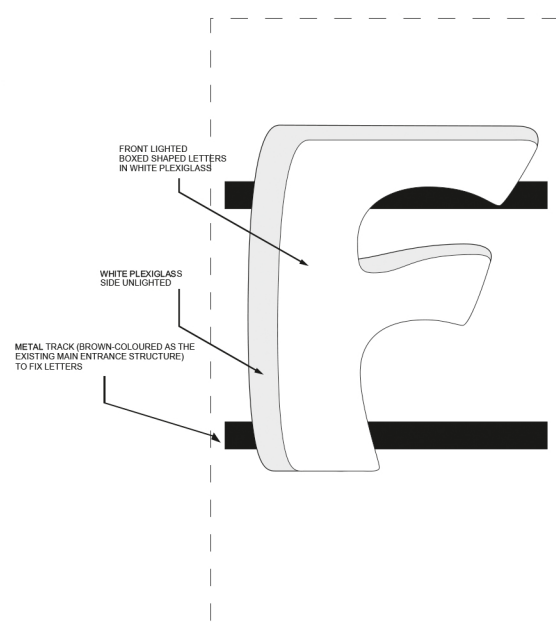
BLADE MOUNTED FERRETTI LOGO ELEVATION



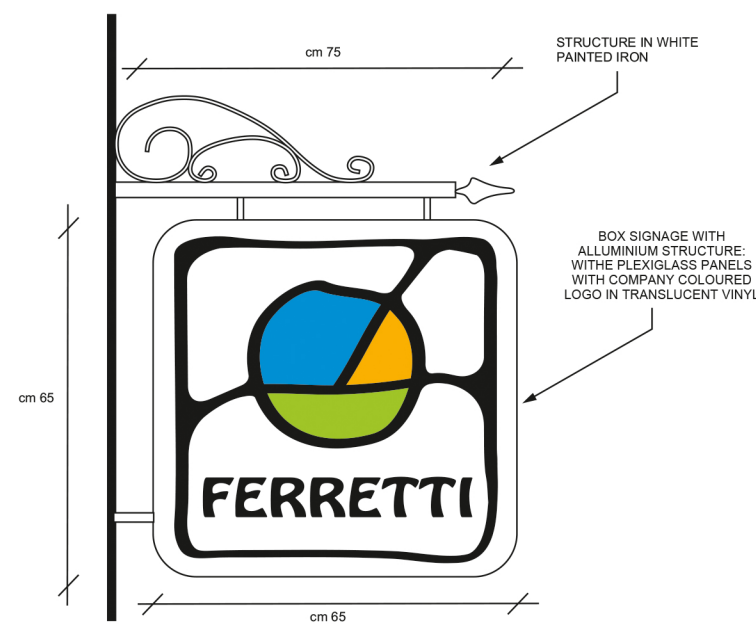
BLADE MOUNTED FERRETTI LOGO SECTION ELEVATION



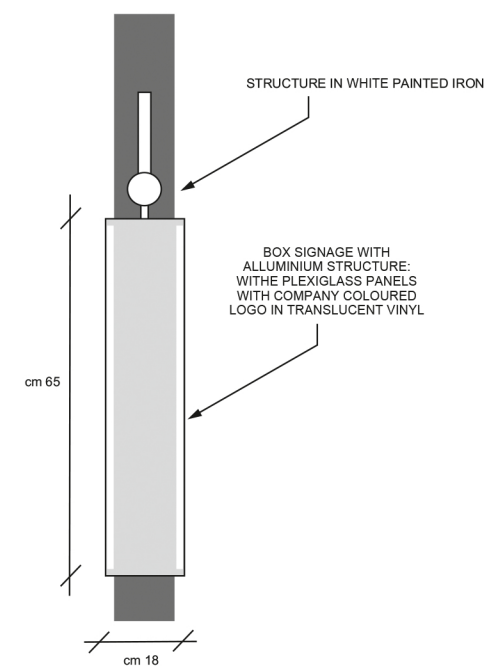
FERRETTI SIDE ELEVATION



FERRETTI SIGNAGE DETAILED ELEVATION



BLADE MOUNTED FERRETTI LOGO ELEV



BLADE MOUNTED FERRETTI LOGO SIDE ELEV

**FERRETTI**

82 NEW OXFORD STREET, LONDON, WC1A 1HB  
 PLANNING APPLICATION  
 SIGNAGE DETAILED DRAWINGS \_ 2  
 OCTOBER 2015