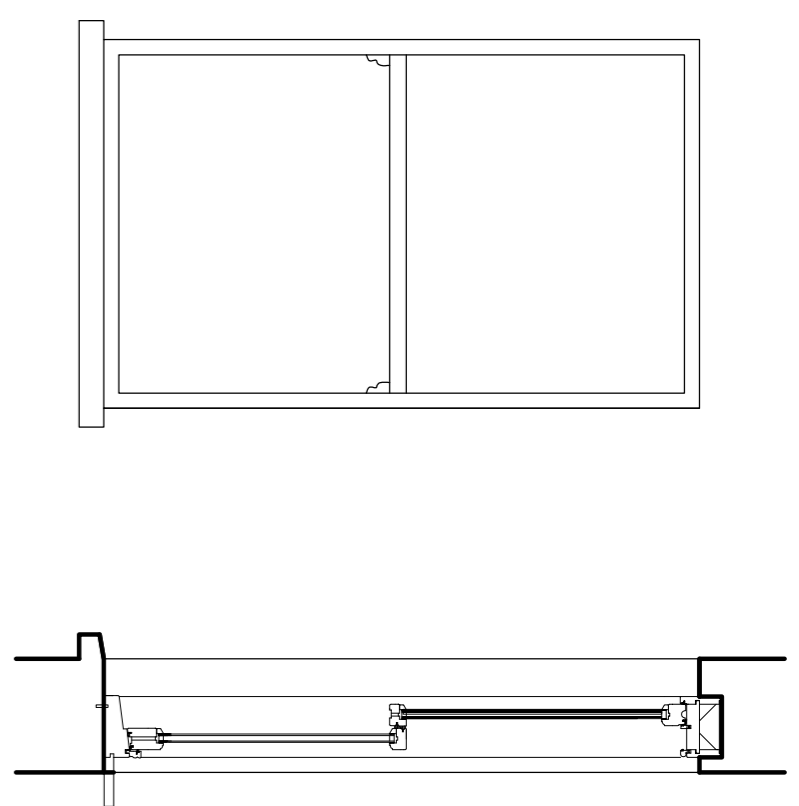


WD4

WD4 SECTION

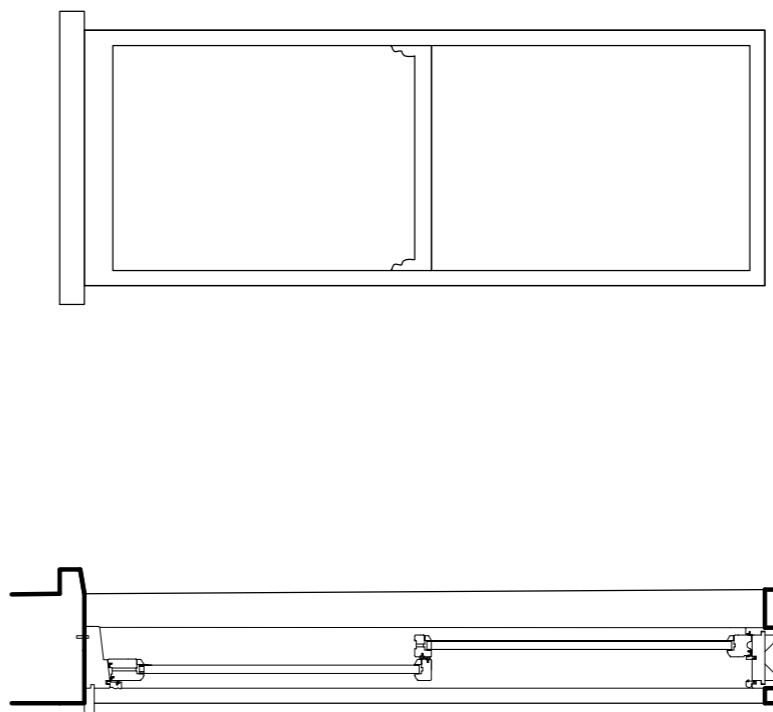
EXISTING



WD4

WD4 SECTION

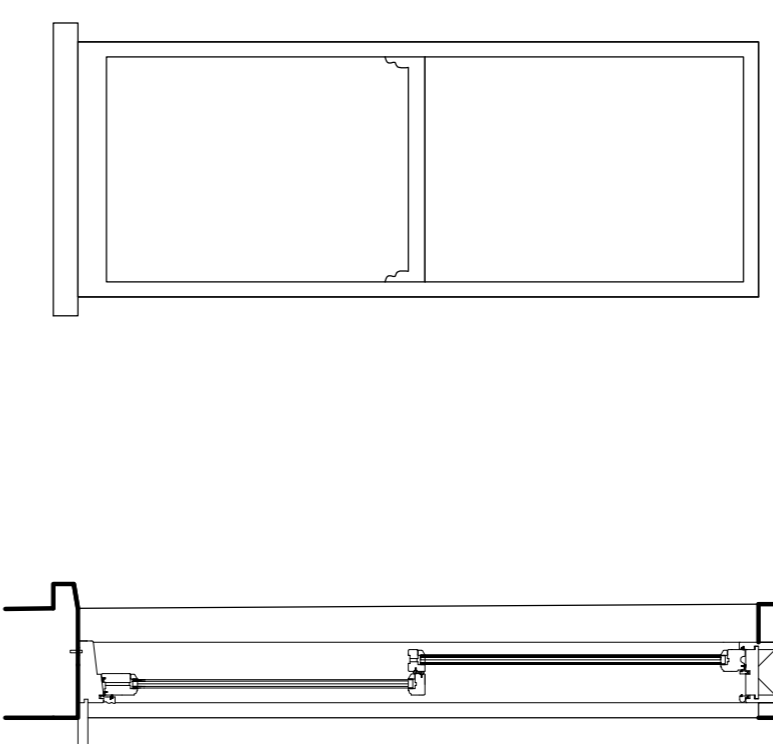
PROPOSED



WD5

WD5 SECTION

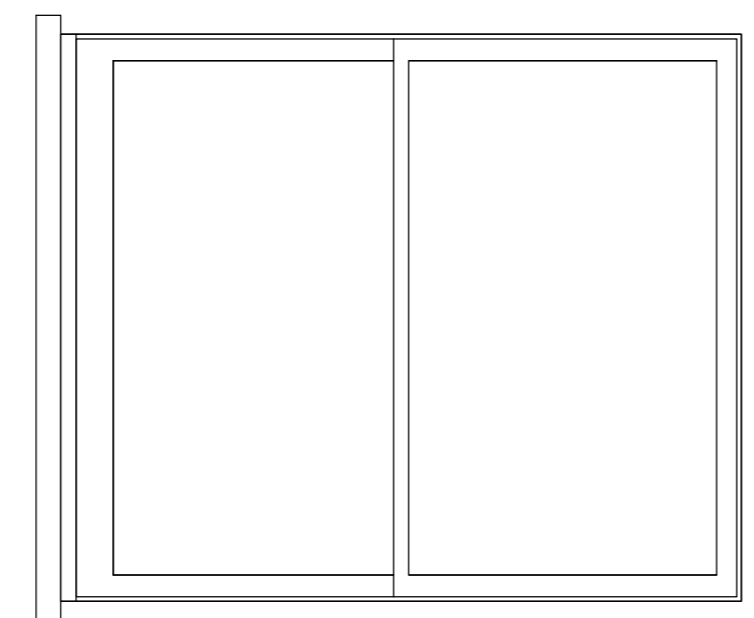
EXISTING



WD5

WD5 SECTION

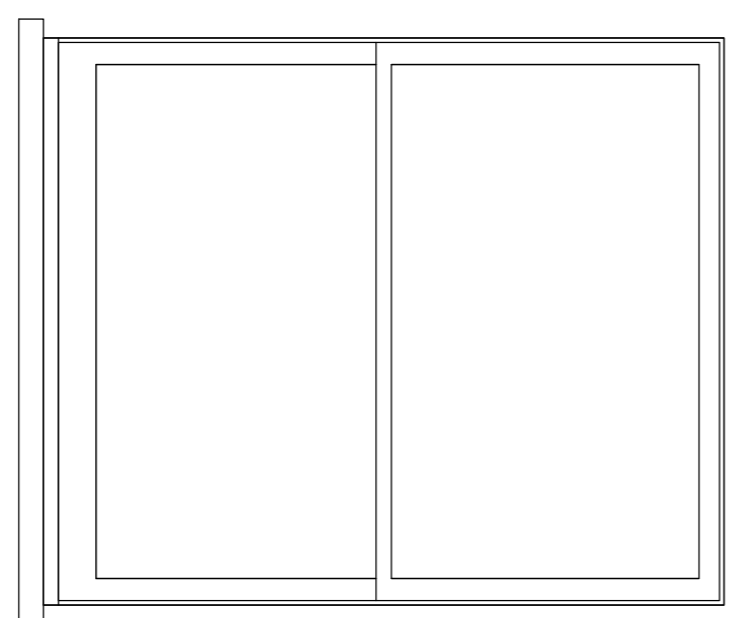
PROPOSED



WD6

WD6 SECTION

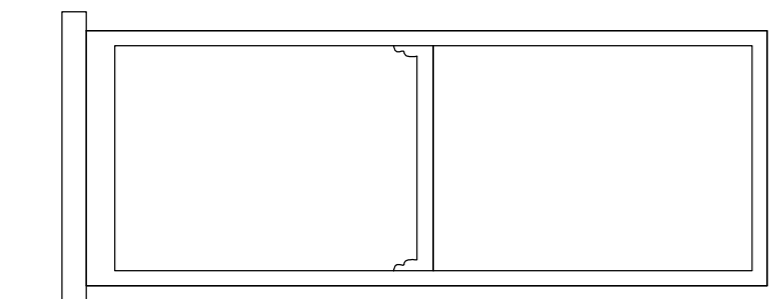
EXISTING



WD6

WD6 SECTION

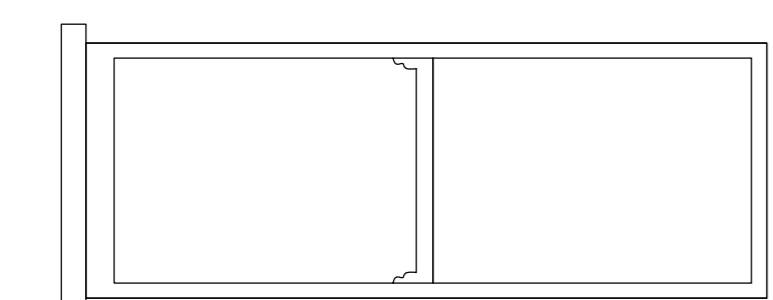
PROPOSED



WD7

WD7 SECTION

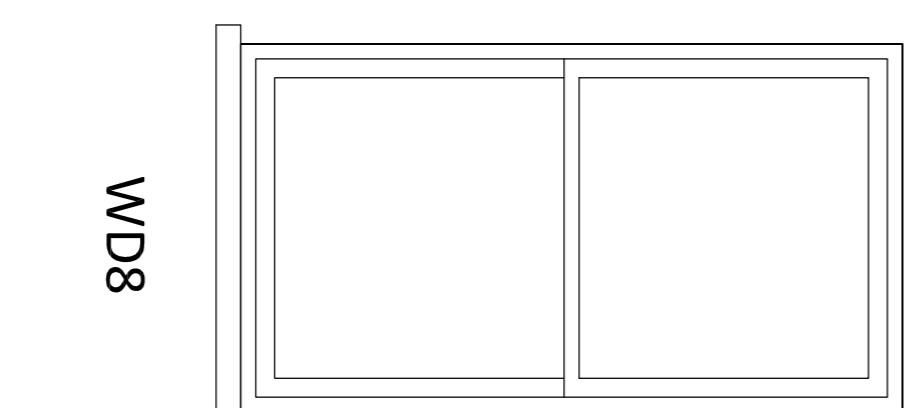
EXISTING



WD7

WD7 SECTION

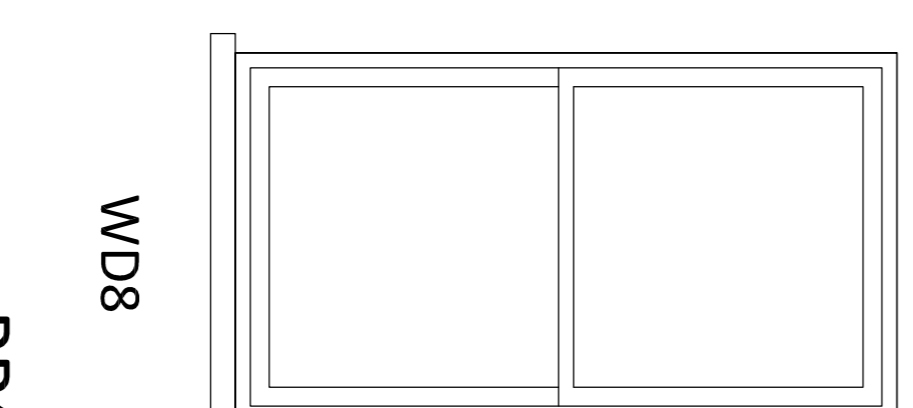
PROPOSED



WD8

WD8 Section

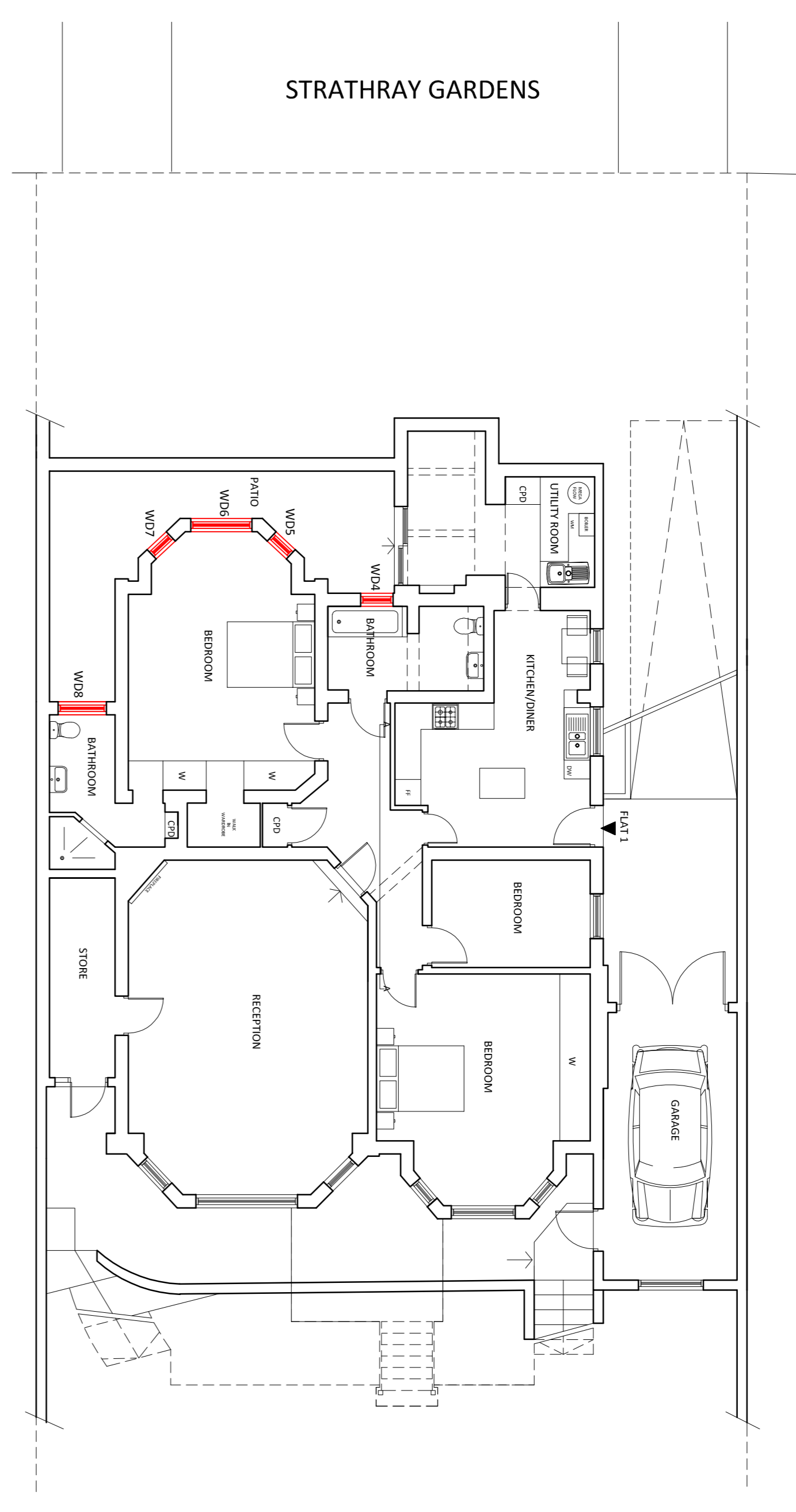
EXISTING



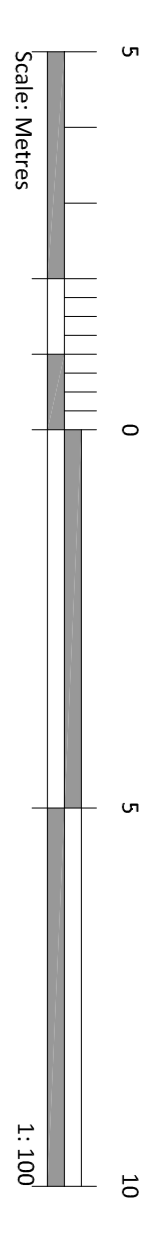
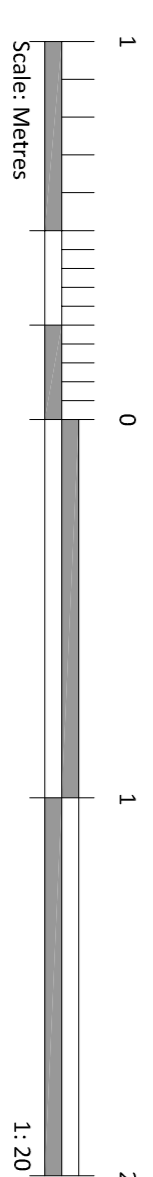
WD8

WD8 Section

PROPOSED



BASEMENT FLOOR PLAN Scale 1:100



rev. project
 Flats 1 and 2
 7 Strathray Gardens
 London
 NW3 4PA

client
 drawing

PLANNING
 Existing and Proposed
 Windows and Sections
 and Ground Floor Plan

drawn	checked	date
JRS	RS	04.11.2015
scale	1:20, 1:100	paper size
drawing no	7905 / 106	A1

MDC HERSCHELLMAN DEVELOPMENT CONSULTANCY
 66 Bickenhall Mansions
 Bickenhall Street
 London W1U 6BS
 t: +44(0)207 486 6675
 e: info@mddlondon.com
 w: www.mddlondon.com