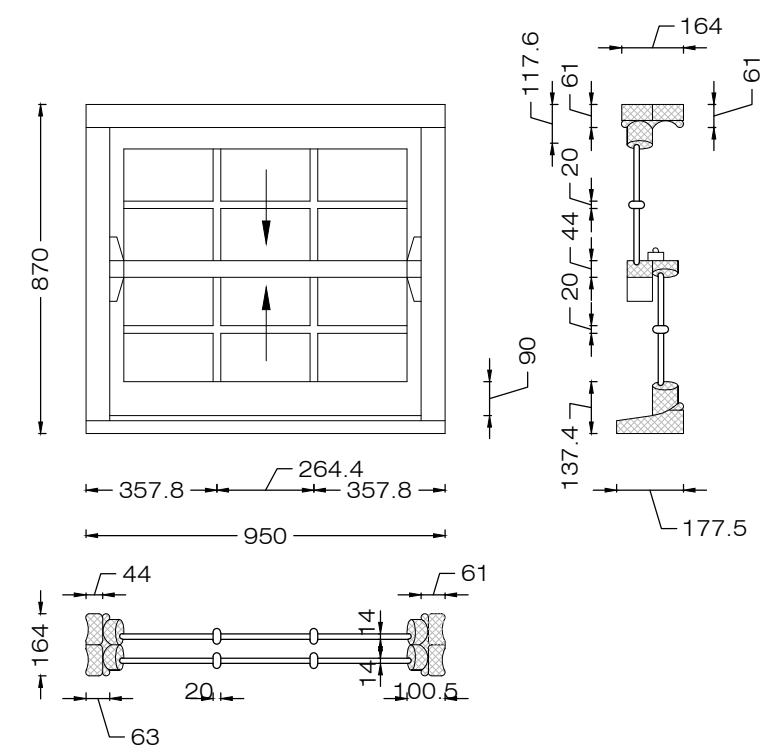


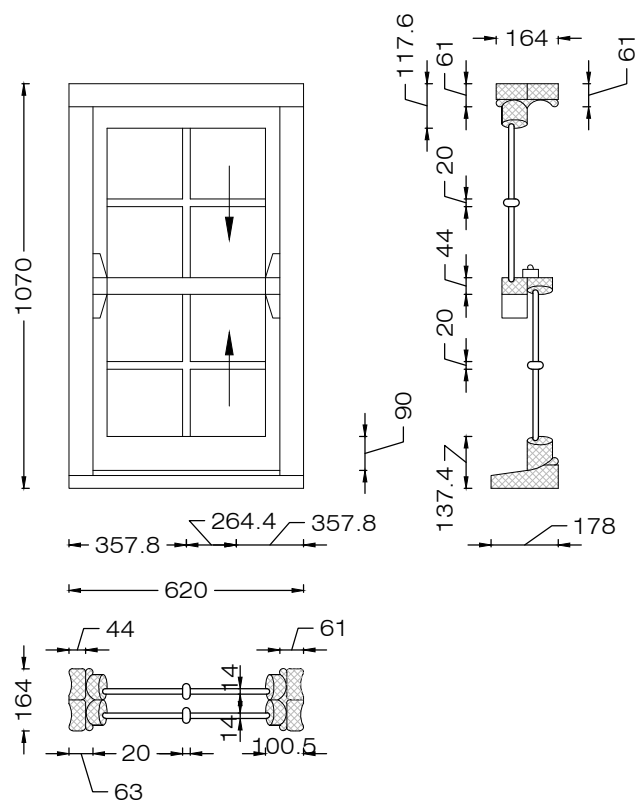
NOTES:  
 All dimensions in millimetres.  
 All dimensions and levels are to be checked on site by the main contractor prior to commencing excavation works. Any discrepancy is to be reported back to the designer for instruction.  
 This drawing is the property of VORBILD ARCHITECTURE LIMITED and may not be reproduced or disclosed to a third party in any form without written permission.



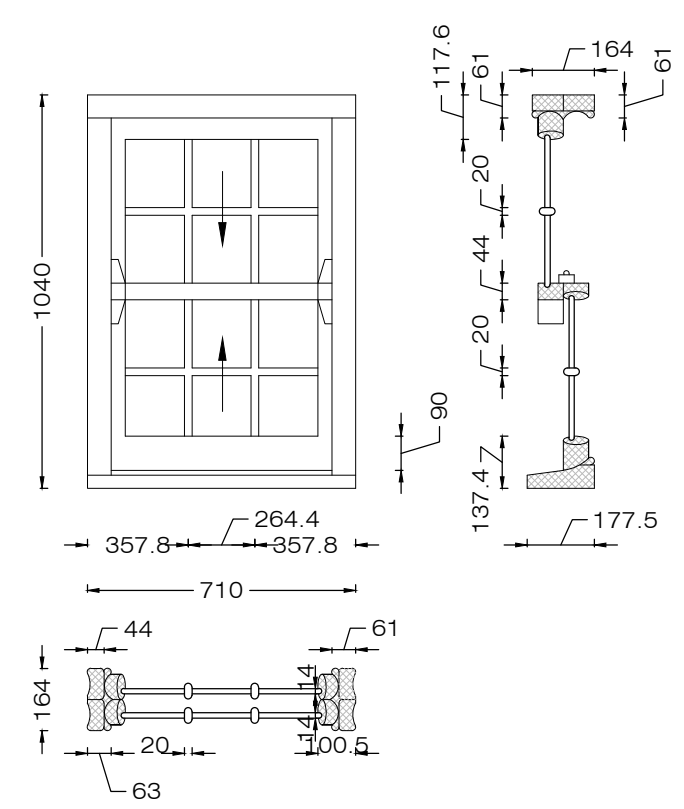
**01** REAR ELEVATION - PROPOSED WINDOWS  
 A-(21)-018 1:50 @ A1, 1:100 @ A3



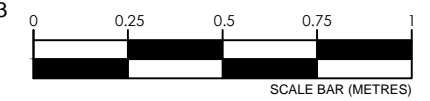
**02** WINDOW A  
 A-(21)-018 1:10 @ A1, 1:20 @ A3



**03** WINDOW B  
 A-(21)-018 1:10 @ A1, 1:20 @ A3



**04** WINDOW C  
 A-(21)-018 1:10 @ A1, 1:20 @ A3



CLIENT/PROJECT:		
91 FROGNAL		
DRAWING STATUS: FOR PLANNING		
SHEET TITLE: PROPOSED NEW WINDOWS REAR ELEVATION		
SCALE: 1:10(A1)	1:20 (A3)	DRAWN BY: LC/MS
DATE: 04.11.2015		APPROVED: MS
JOB NUMBER: 0528	DRAWING No: A-(21)-018	Rev. No.: *

**VORBILD**

ARCHITECTURE INTERIORS PROPERTY  
 TEL: 020 71939379 info@vorbild.co.uk