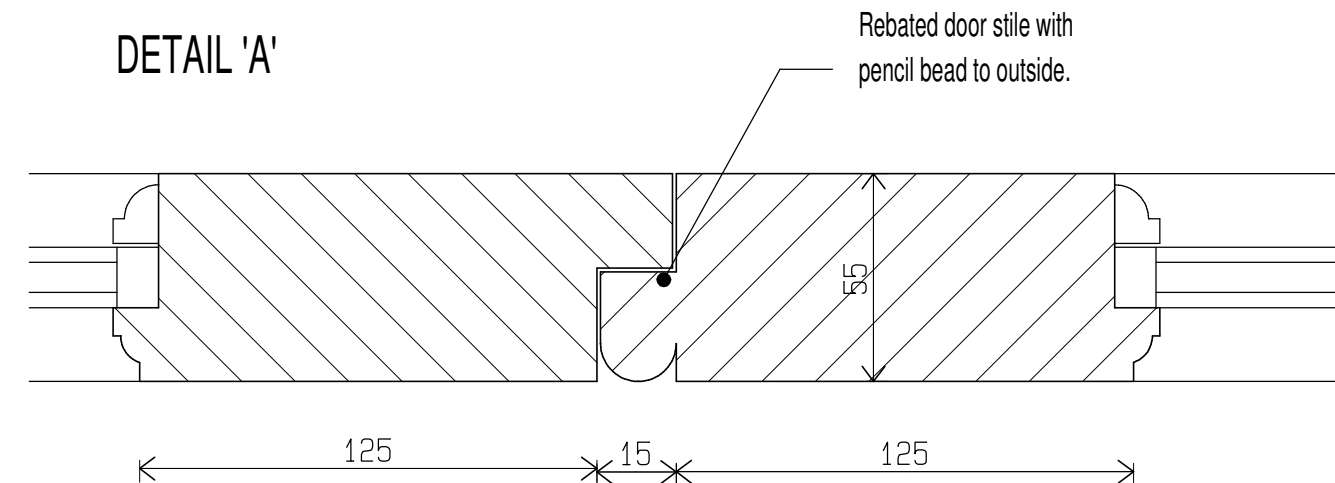
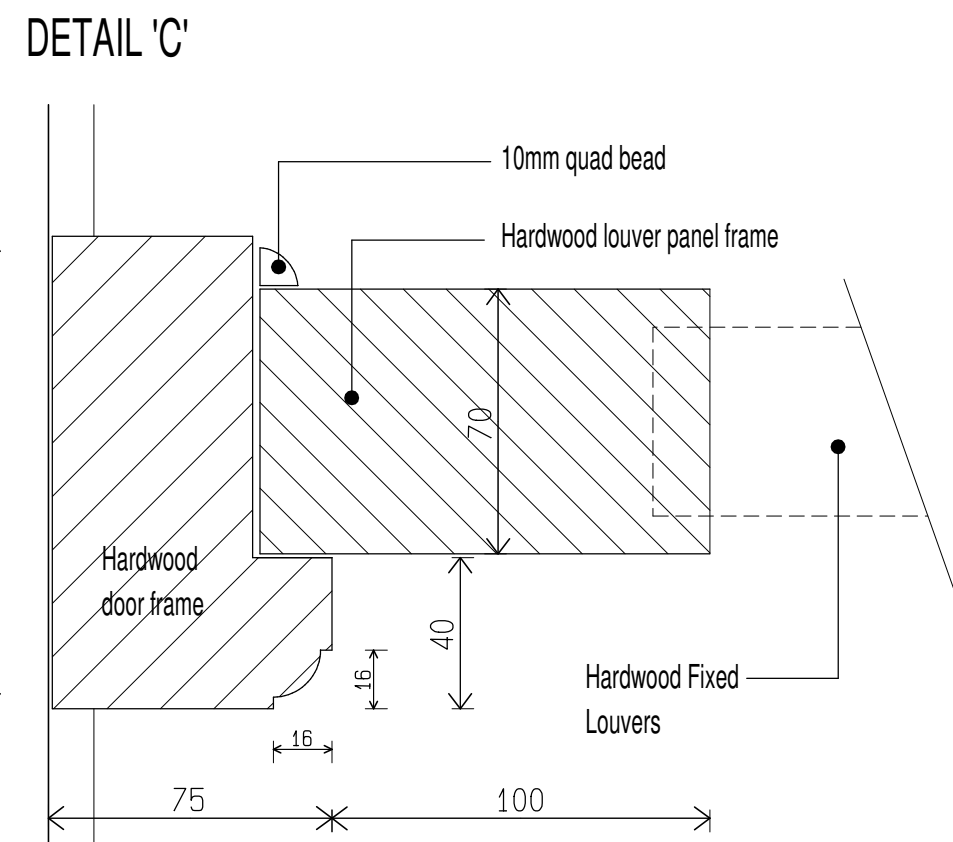
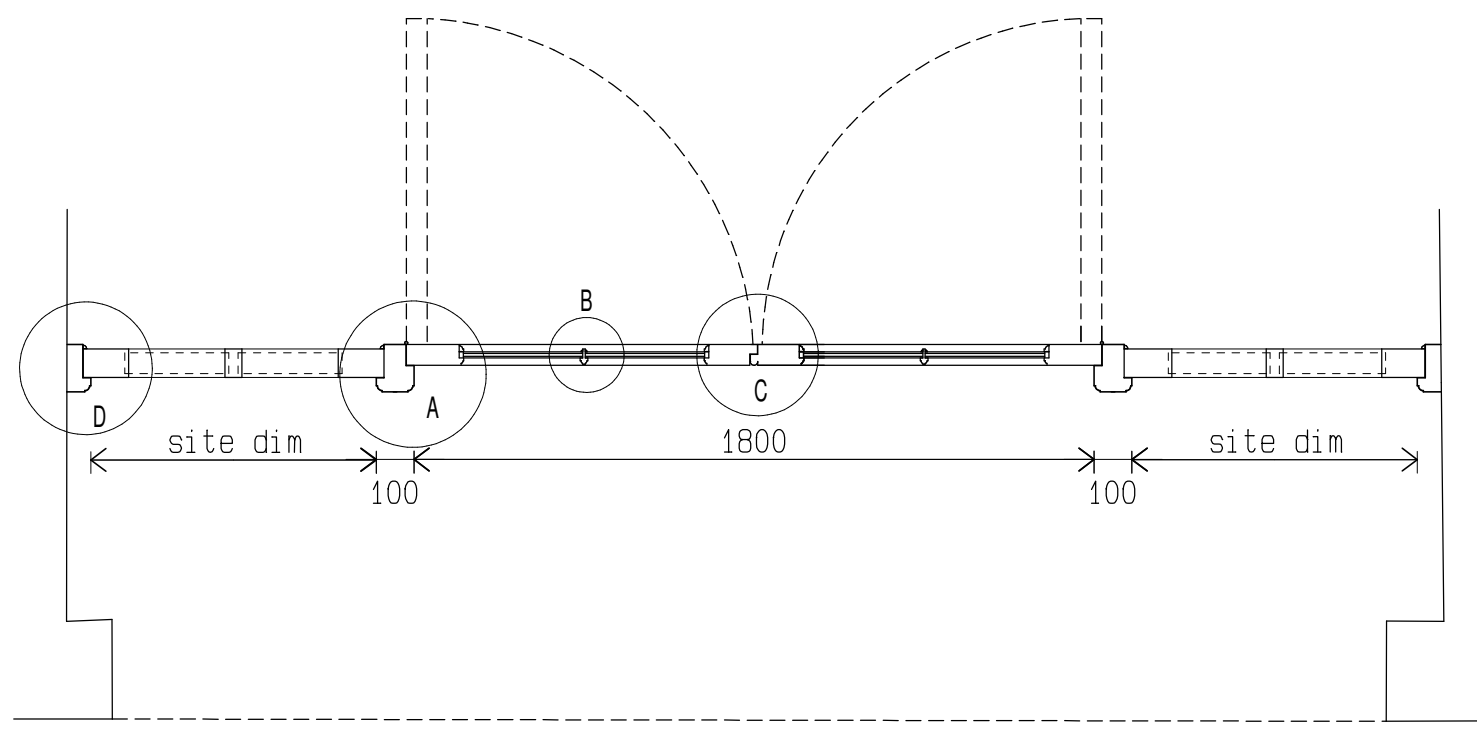


DETAIL 'B'
16mm double glazing unit
to hardwood glazing bar.




DETAIL 'A'



DETAIL 'C'

DETAIL 'D'

Rev.	Description	Date
DOOR 1		
DRAWING TO BE READ IN CONJUNCTION WITH STRUCTURAL ENGINEERS DETAILS/ DRAWINGS & BUILDING CONTROL APPROVED DRAWINGS		
Client Ostuni Restaurante		
Project Refurbishment of existing restaurant and Provision of Roof Terrace at Hamstead Lane, Highgate London, N6 4RS		
Drawing title FRENCH DOOR DETAIL		
		
<small>PLANNING - URBAN DESIGN - ARCHITECTURE Tel. 020 7428 0555 Fax. 020 7485 4005 E-Mail. info@acaarchitects.co.uk Web. www.acaarchitects.co.uk 40 Mortimer Street London W1W 7RD</small>		
scale	1:20 & 1:2 @ A3	drawn SON
date	10.15	checked AC
project	1-00	sheet 03