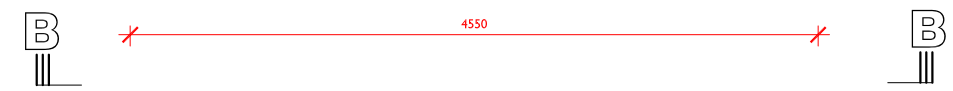
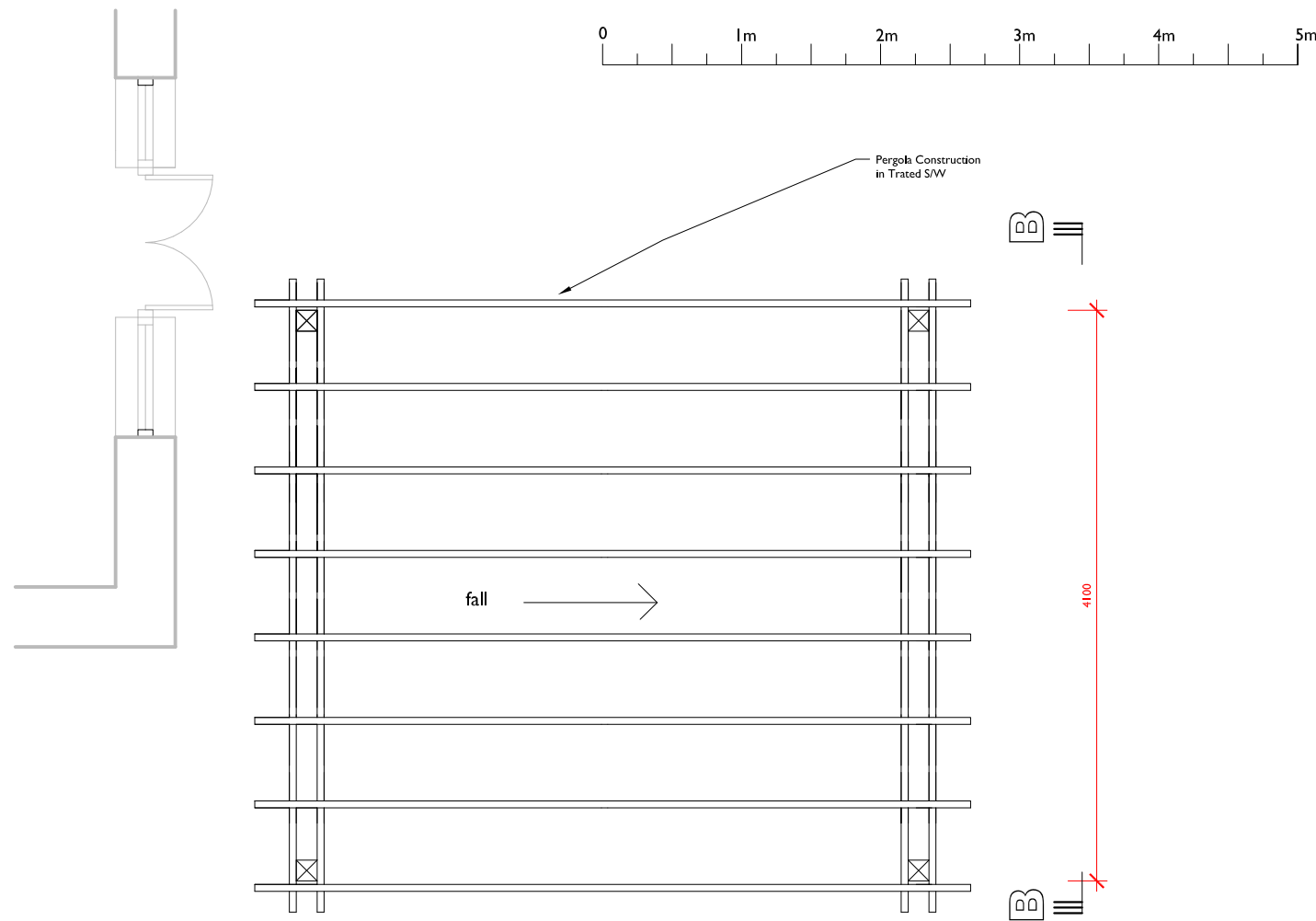
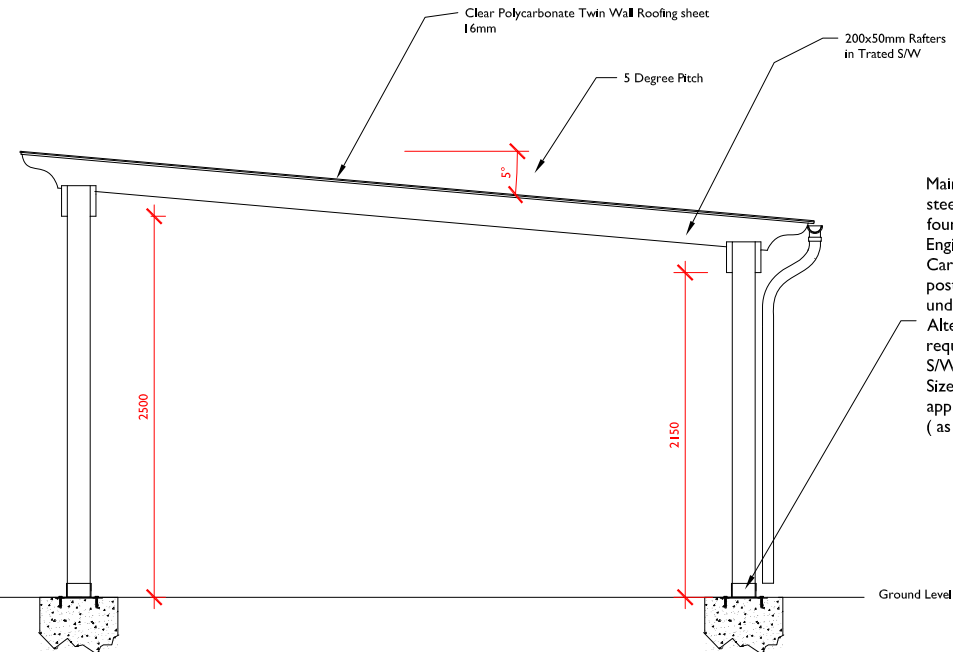


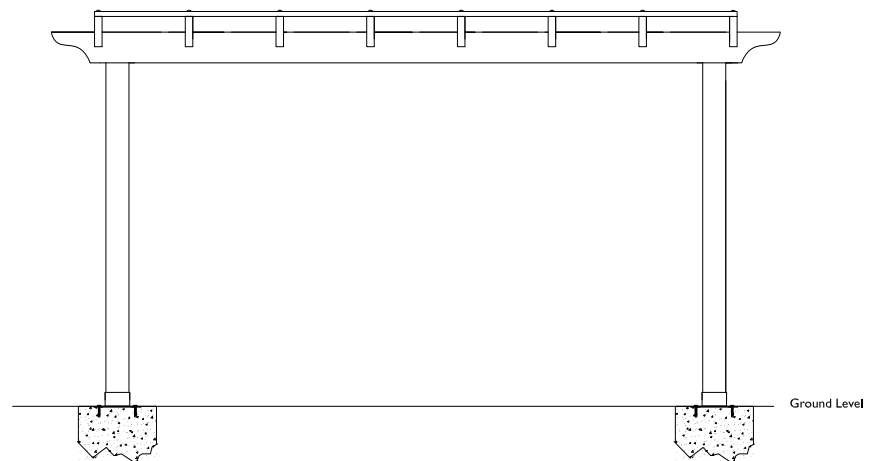
SDJ DESIGN LTD
 Accept No Responsibility for Structural Stability
 of Pergola. Main Contractor to obtain advice from Structural
 Engineer for Timber Sizes/Foundation Details and Fixings.



PLAN OF PERGOLA



Main Support posts to Shelter fitted into steel shoe bolted onto concrete foundations according to Structural Engineers details. Care must be given to fixing method of posts near building so not to disturb underground drains etc. Alternative fixing to ground may be required. Posts to be in Natural treated S/W Timber. Size 150x150mm subject to engineers approval. (as shown)



END ELEVATION AA

SIDE ELEVATION BB

NOTE:
 The Contractor is to check and verify all building and site dimensions, levels and sewer invert levels at connection points before work starts.
 This drawing must be read with and checked against any structural or other specialist drawings provided.
 The Contractor is to comply in all respects with the current Building Regulations whether or not specifically stated on these drawings.
 This drawing is not intended to show details of foundation or ground conditions. Each area of ground relied upon to support the structure depicted must be investigated by the Contractor and suitable methods of foundation be provided.
 This drawing is to be read in conjunction with all other standard Mitchells and Butlers specifications and documentation.
 © This drawing remains the copyright of Mitchells and Butlers.

**sdj
 DESIGN**

18 Nell Lane Chorlton Manchester M21 7UD
 Tel 0161 282 1321 e-mail steve@sdjdesign.co.uk

THIS DRAWING BEEN PREPARED FOR PRESENTATION PURPOSES
 CONSULTANTS/CONTRACTORS WISHING TO USE THE DRAWING FOR GUIDANCE MUST CHECK ALL DIMENSIONS ON SITE PRIOR TO FINALISING THEIR ELEMENT OF WORK UNDERTAKEN

Rev.	By	Date

Mitchells & Butlers

27 Fleet Street
 Birmingham
 B3 1JF
 Tel. 0870 608 3000
 www.mbutl.com

Brand **CASTLE**
 BUN. No. **11614**
 Site **EDINBORO' CASTLE
 CAMDEN**

**DETAILS OF
 MAIN PERGOLA TO
 SEATING AREA**

Project Manager/ Checked	Drawn By SDJ	Scale 1:50@A3	Date 18.10.15
Arch/Des.	Drawing Number EDCC 14	Rev.	