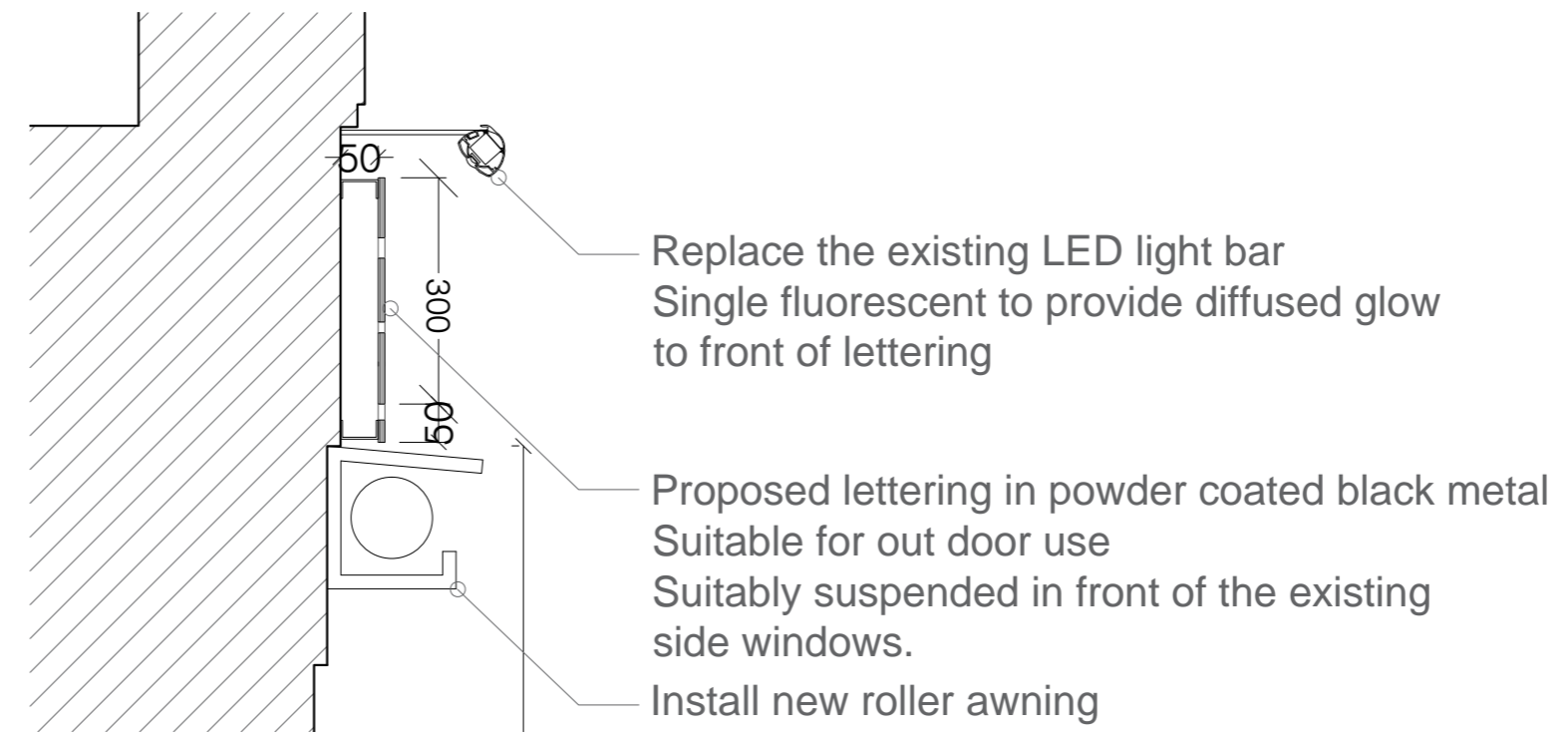
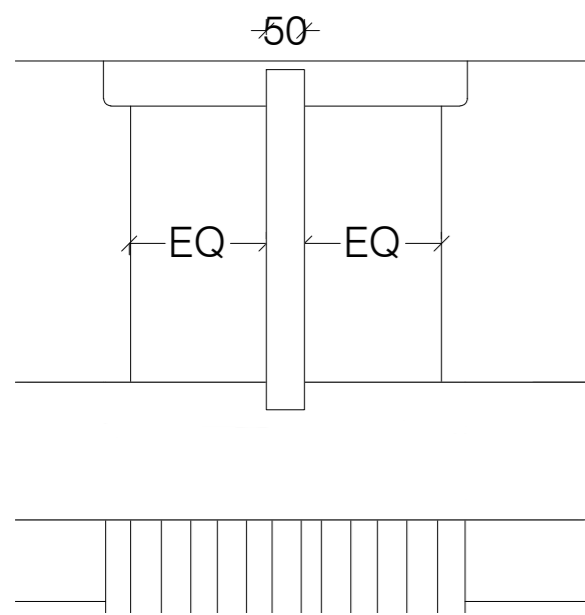


01 Cafe' fascia lettering
1:10@A2



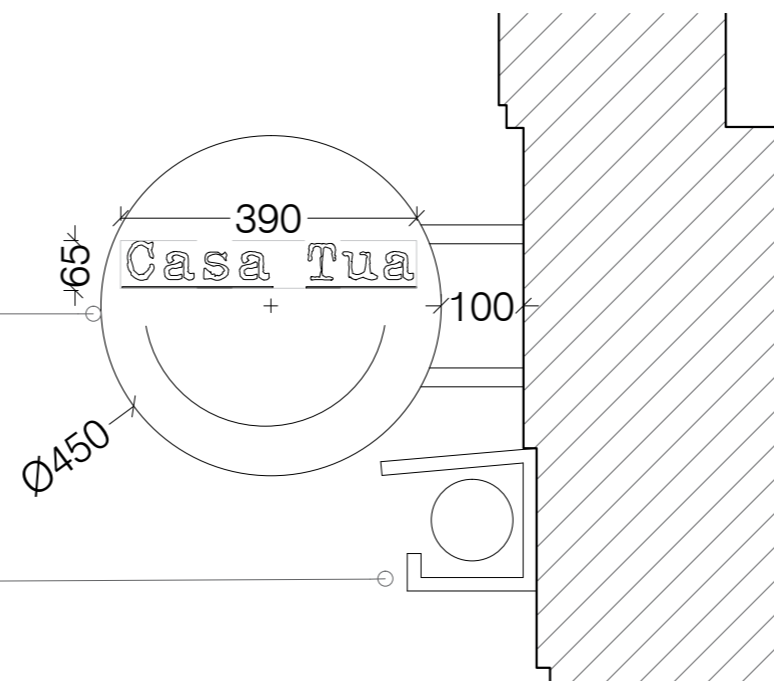
02 Section Signage
1:10@A2



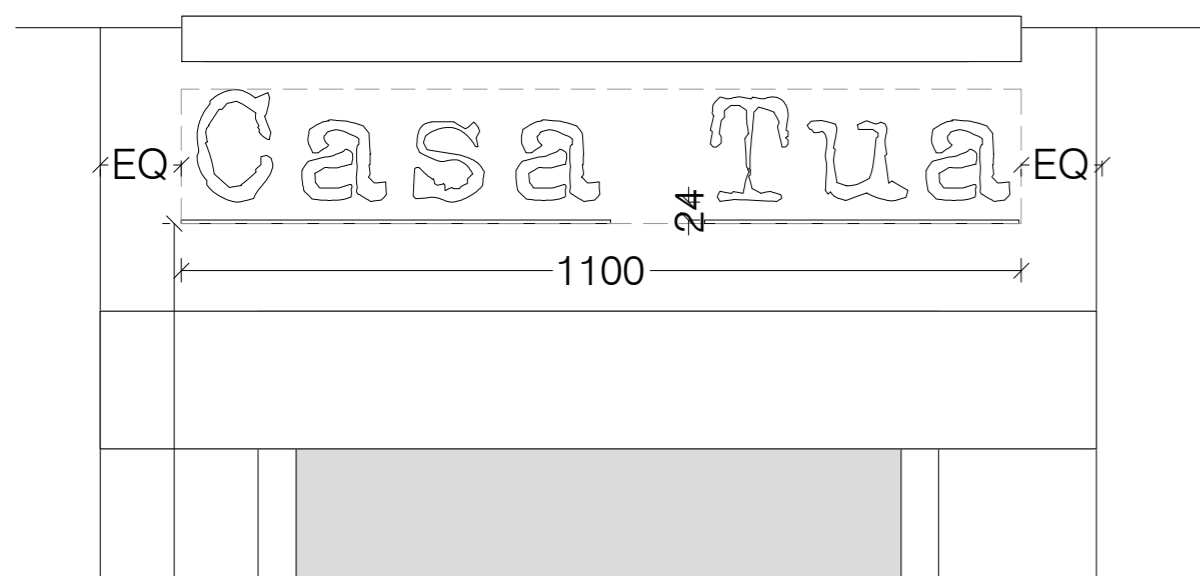
03 Front Projection Sign
1:10@A2

Projecting Sign in marine treated birch plywood finished in clear lacquer coating suitable for outdoor

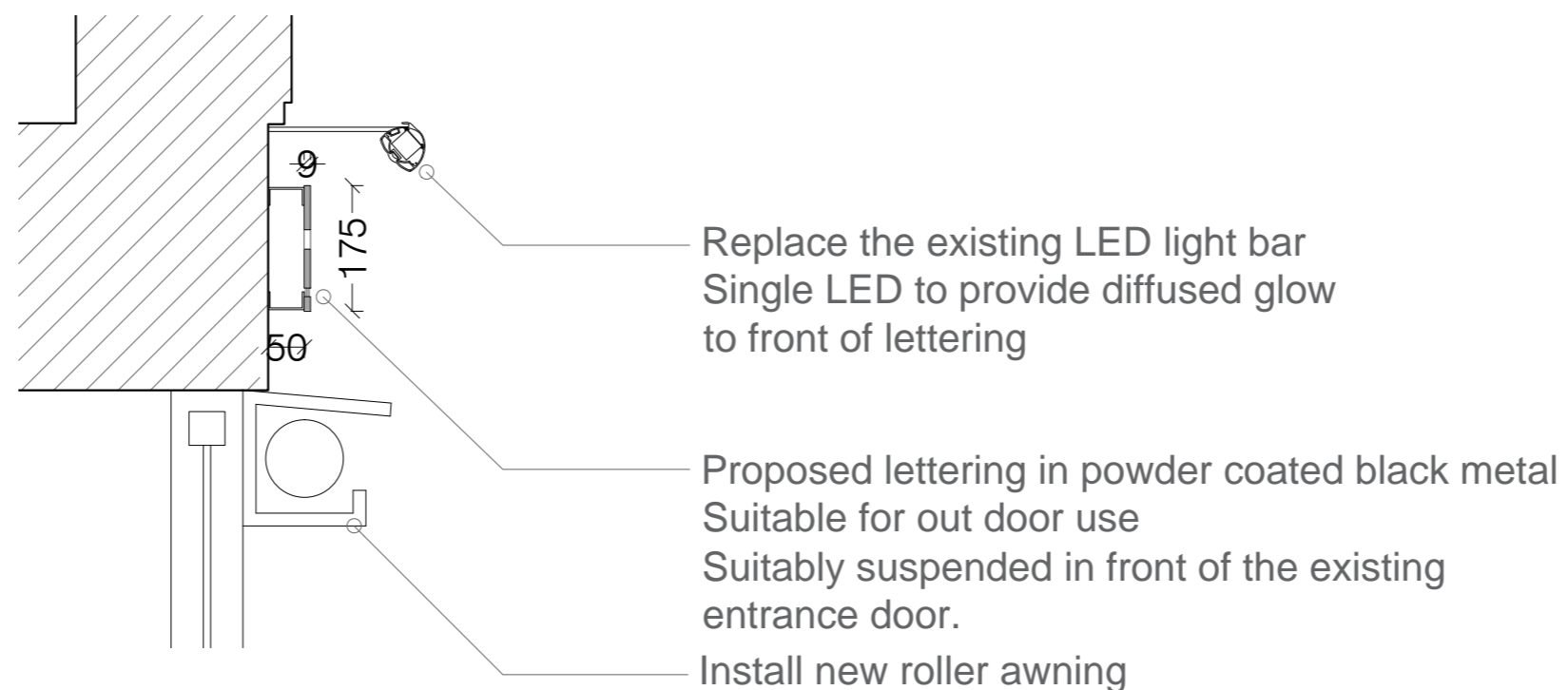
Install new roller awning



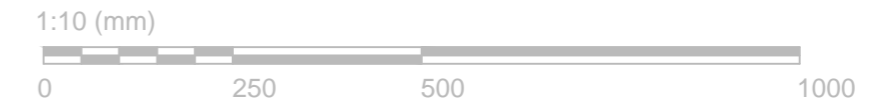
04 Side Projection Sign
1:10@A2



05 Front door fascia lettering
1:10@A2



05 Section Front door fascia lettering
1:10@A2



GENERAL NOTES:
ALWAYS REFER TO RELATED DRAWINGS WHEN CONSIDERING INFORMATION CONTAINED WITHIN THIS DRAWING. ALL WORK CARRIED OUT ON SITE TO BE IN ACCORDANCE WITH ALL CURRENT RELEVANT BRITISH STANDARD BUILDING REGULATIONS AND CDM REGULATIONS. DISCREPANCIES WITH INFORMATION CONTAINED WITHIN THIS DRAWING TO BE REPORTED TO THE DRAWING AUTHOR IMMEDIATELY. ALL MATERIALS AND SURFACE FINISHES USED ON SITE TO BE IN ACCORDANCE WITH APPROPRIATE FIRE RATINGS AS STIPULATED BY BUILDING CONTROL. ALL CONTRACTOR AND SUB-CONTRACTOR DRAWINGS TO BE PROVIDED TO PUSH DESIGN LTD FOR APPROVAL PRIOR TO COMMENCEMENT OF WORKS ON SITE.

* NOTE:
THIS DRAWING IS FOR SKETCHING PURPOSES ONLY AND ALL DIMENSIONS MUST BE VERIFIED ON SITE

REV	DESCRIPTION	AUTHOR	DATE

JOB:
106-108 Cromer Street, London, W1C1H 8BZ

TITLE:
Details Drawings
Advertising Consent Application

DRG NO:
001-DT-008

SCALE:
1:10@A2

DATE:
29.10.2015

Push Design Ltd.
Gr floor, Union House,
182-194 Union Street,
London, SE1 0LH

REV: -

AUTHOR: FL

tel. +44 (0)20 7021 0563
fax. +44 (0)20 7021 0559
info@pushdesignltd.com

pushdesign

This drawing is the copyright of Push Design and is released on the understanding that it is not copied or reproduced, either wholly or in part without the consent of Push Design. Contractors and manufacturers are to work from figured dimensions in preference to scaled ones. All dimensions are to be verified by contractor on site prior to manufacture and installation. All dimensions are indicated in millimetres unless otherwise specified.

© 2015 Push Design