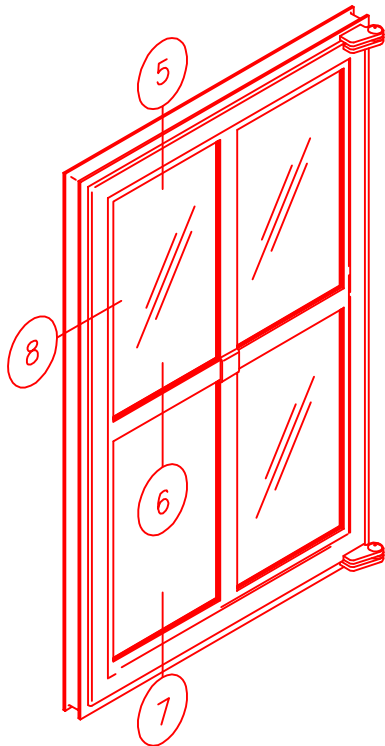
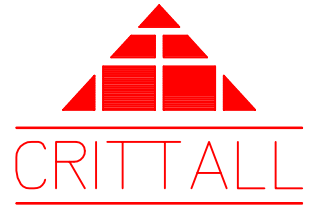
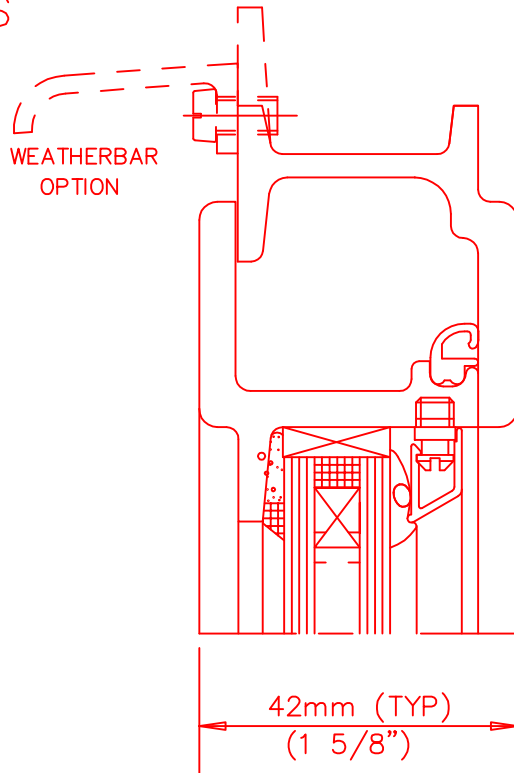


# Corporate W20 Open Out Vents

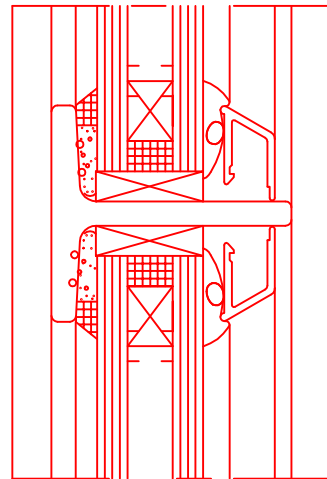


Side Hung  
(Equal Leg Shown)  
Top Hung similar

## SECTION 5

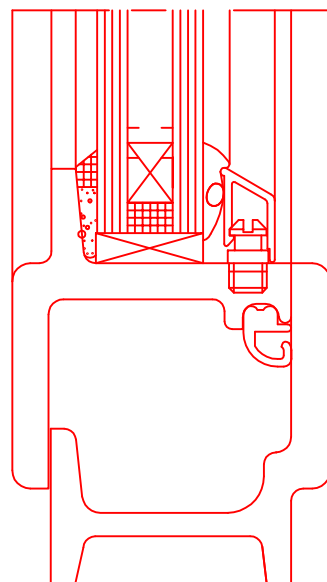
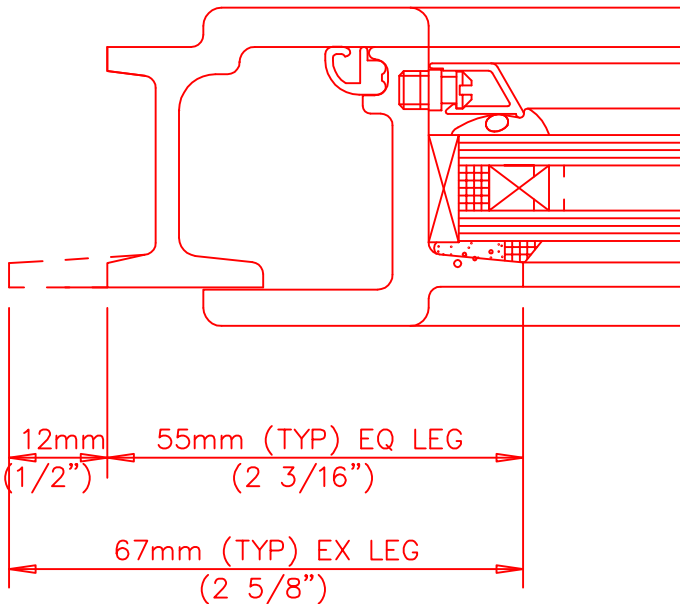


## OUTSIDE



## SECTION 6 OPTIONAL GLAZING BAR

## SECTION 8



## SECTION 7

STEEL  
B2