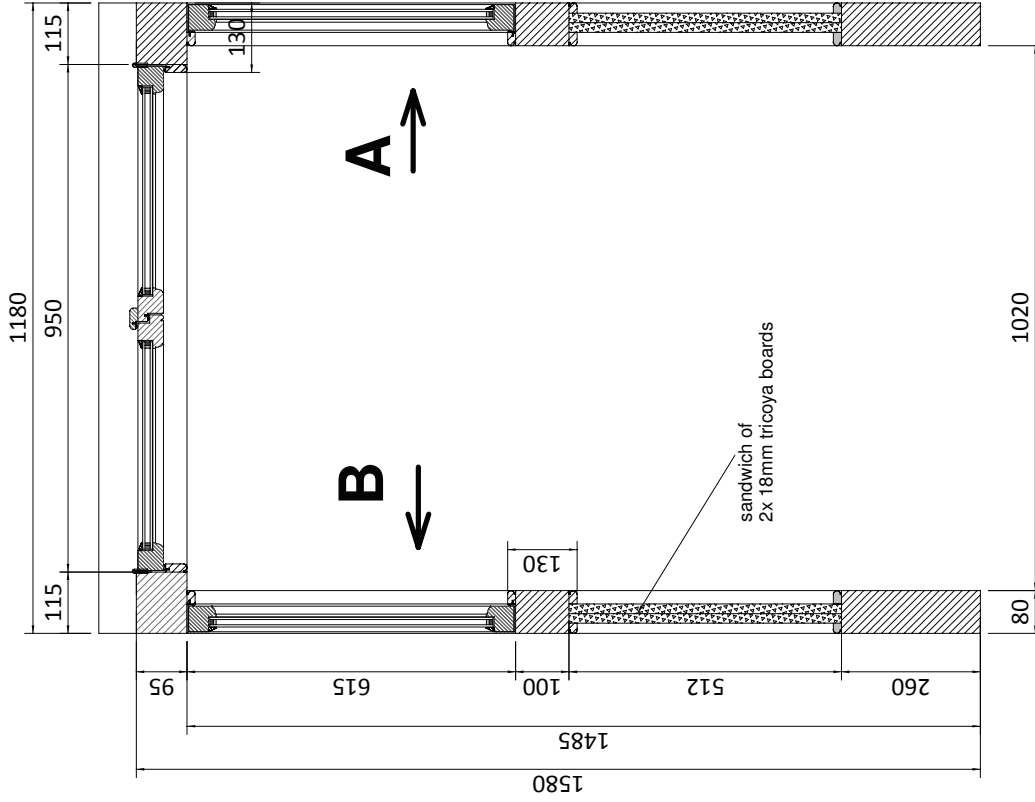
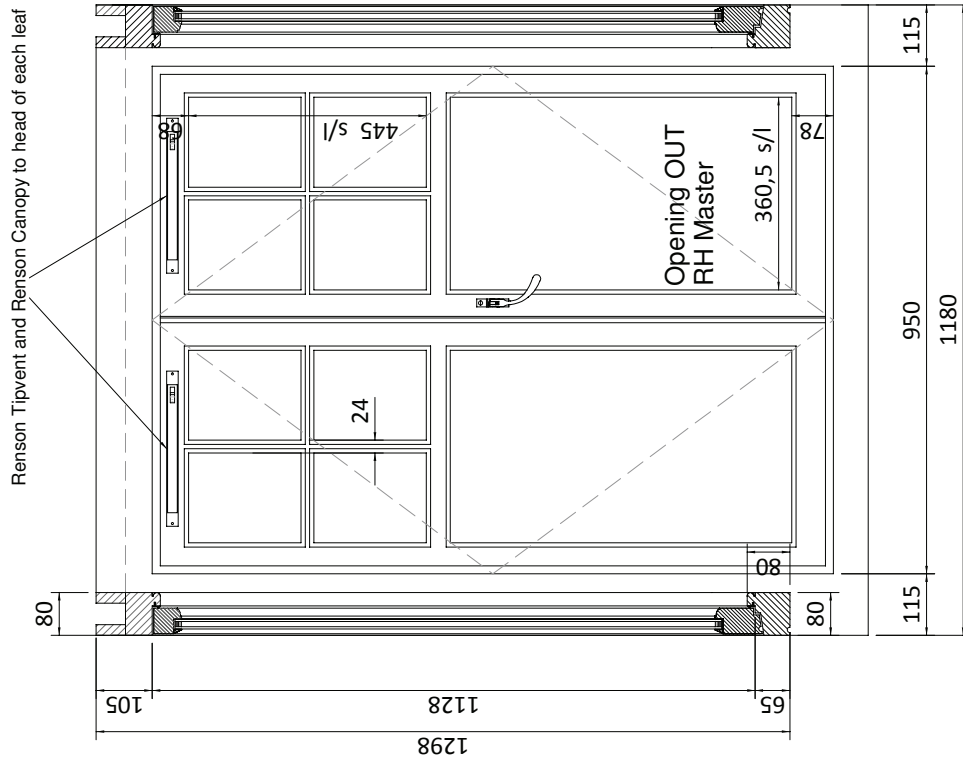






# French Casement Window / Internally Viewed / Opening OUT / RH Master



Name: KHAN  
 Job No: 23013  
 Sheet: 2 of 3

Drawn by: M Gerec  
 Scale: 1:10 at a3  
 Issue No: 01  
 Date: 22/10/2015

Material: ACCOYA  
 Hardwood cill

Finish - Int: White  
 Ext: White

Cill Finish: White  
 Glass - 4 P: 10 Ar: 4 LI

Notes:

- 1.
- 2.
- 3.
- 4.

The Sash Window Workshop Ltd  
 4 Kiffin Lane,  
 Bracknell,  
 Berkshire RG12 1NA  
 Tel: +44 (0)1344 868668  
 Fax: +44 (0)1344 868558  
 email: gerecm@sashwindow.com

**Item 2**  
 3rd Fl Front  
 Bedroom

Name: KHAN  
 Job No: 23013  
 Sheet: 3 of 3

Drawn by: M Gerec  
 Scale: 1:10 at a3  
 Issue No: 01  
 Date: 22/10/2015

Material: ACCOYA  
 Hardwood cill

Finish - Int: White  
 Ext: White  
 Cill Finish: White

Glass - 4 P: 10 Ar : 4 LI

Notes:

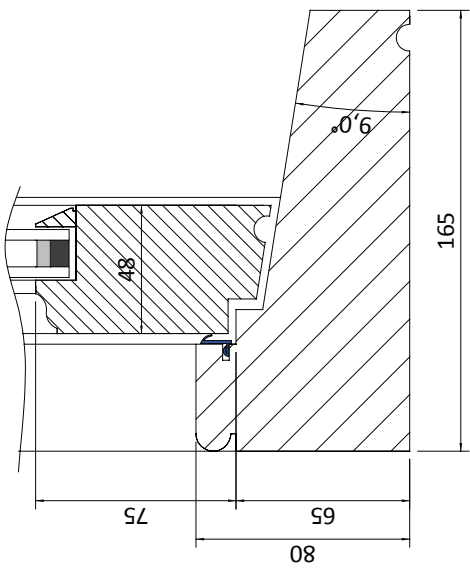
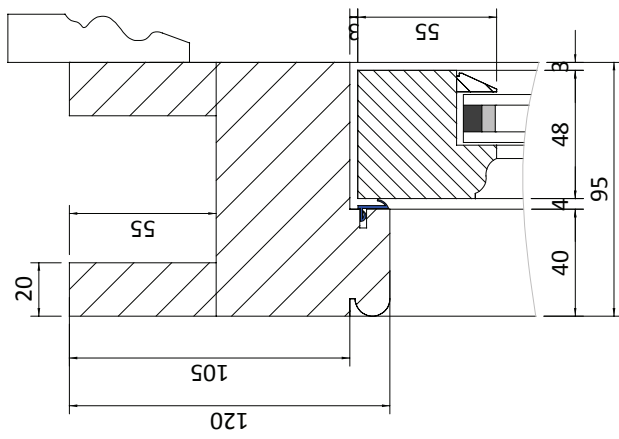
- 1.
- 2.
- 3.
- 4.

The Sash Window Workshop Ltd  
 4 Kilm Lane,  
 Bracknell,  
 Berkshire RG12 1NA  
 Tel: +44 (0)1344 868668  
 Fax: +44 (0)1344 868558  
 email: gerecm@sashwindow.com

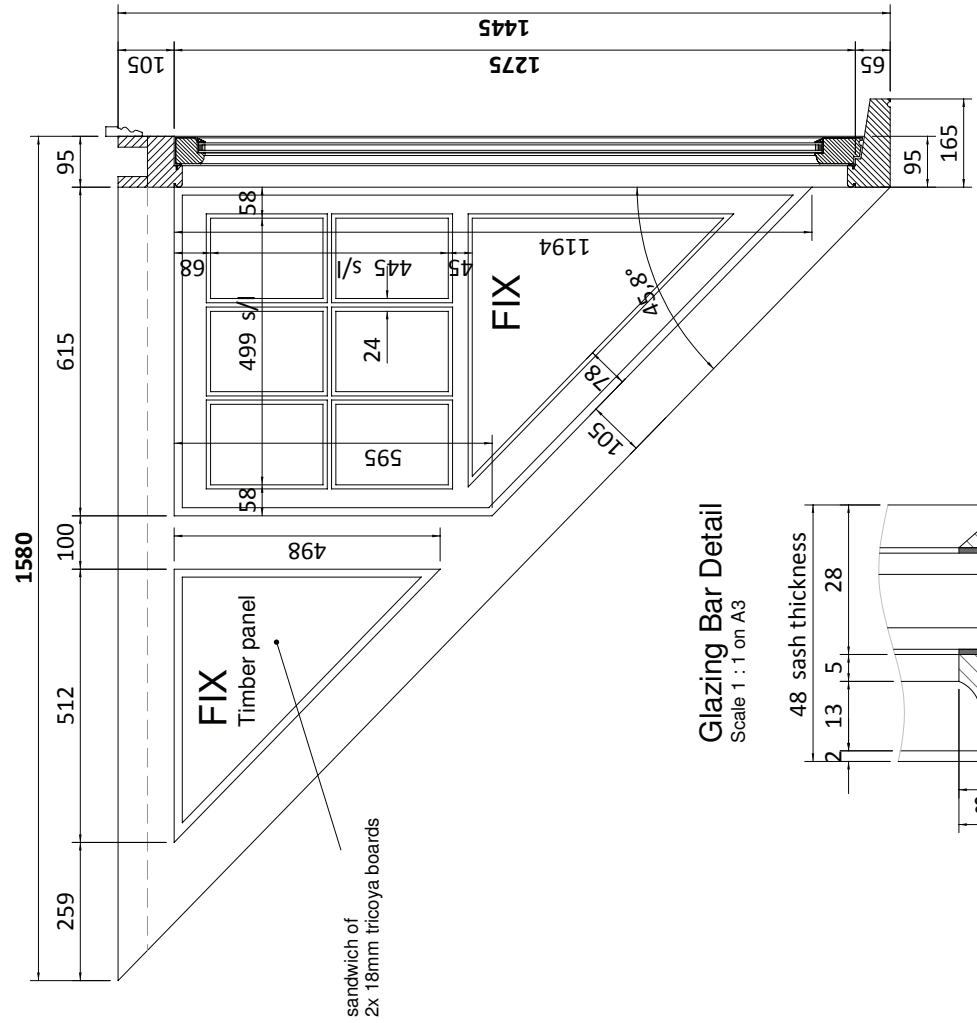
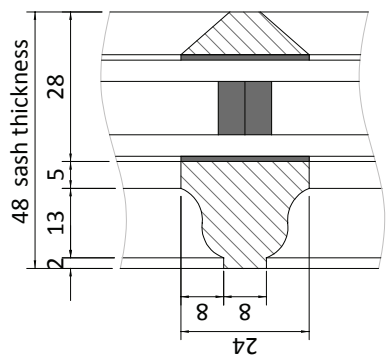
**Item 2**  
 3rd Fl Front  
 Bedroom

# A - B

**Head & Cill Section**  
 Scale 1 : 5 on A3



**Glazing Bar Detail**  
 Scale 1 : 1 on A3



FIX  
 Timber panel

sandwich of  
 2x 18mm tricoya boards