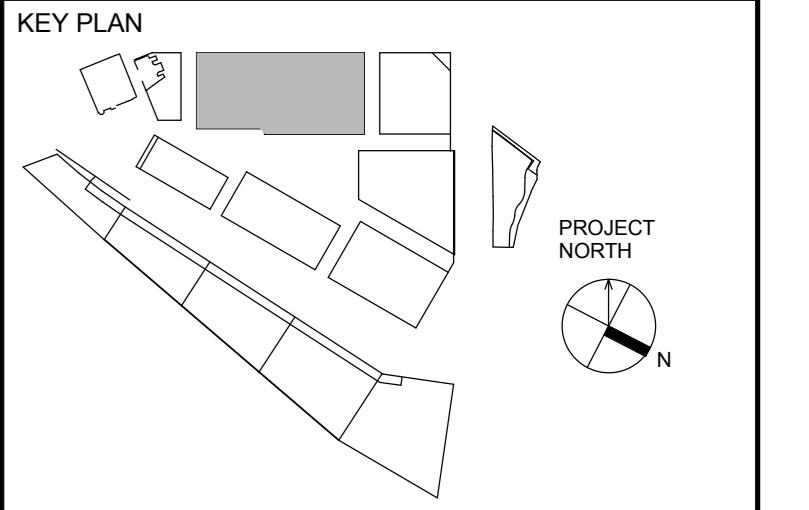




CLIENT BNP PARIBAS REAL ESTATE UK LTD



NO	DESCRIPTION	DATE
31	Record Set	19 Dec 2014
30	Modified to Site Condition	29 Oct 2014
29	LG-05/Escalators Ceiling Update	07 Oct 2014
28	Disabled Refuge Clarification	22 Sep 2014
27	Floor to Ceiling Update	11 Sep 2014
26	Stage F Updates	06 Aug 2014
25	Stage F Updates	11 Jun 2014
24	Stage F Updates	30 May 2014
23	Stage F Updates	29 May 2014
22	Stage F Updates	22 May 2014
21	Stage F Updates	14 Apr 2014
20	Stage F Updates	04 Apr 2014
19	Stage F Updates	28 Mar 2014
18	Stage F Updates	19 Mar 2014
17	Stage F Updates	11 Mar 2014
16	Stage F Updates	22 Jan 2014
15	Stage F Updates	08 Jan 2014
14	Stage F Updates	20 Dec 2013
13	Stage F Updates	13 Dec 2013
12	Stage F Updates	21 Nov 2013
11	Stage F Updates	31 Oct 2013
10	Stage F Updates	08 Oct 2013
9	Access Ramp Record Drawing	04 Oct 2013
8	Stage F	31 May 2013
7	Stage F Progress Issue	02 Apr 2013
6	Construction of Sub-structure	21 Jan 2013
5	50% Stage F Issue	10 Dec 2012
4	Concrete Stair & Blockwork Stage F Issue	02 Nov 2012
3	Stage F Coordination	20 Sept 2012
2	Issued for Stage E Updates	25 Jun 2012
1	Issued for Stage E	28 May 2012
E	Issued for Stage E Frozen Backgrounds	27 Apr 2012
D	50% Stage F Issue	30 Mar 2012
C	Issued to Building Control	13 Mar 2012
B	Issued for Contract Addendum	24 Jan 2012
A	Issued for Final Contractor Information	28 Oct 2011

REVISIONS

DRAWING STATUS

RECORD SET

Discrepancies must be reported immediately to the Architect before proceeding. Only figured dimensions are to be used. Contractors must check all dimensions on site. This drawing is protected by copyright.  
ALL DIMENSIONS ARE SHOWN IN METRIC.

CONSULTANTS

- Design Architect  
Wilmos UK Ltd  
133 Oxford Gardens  
London, W10 0NE
- Executive Architect  
Adamson Associates (International) Ltd  
6th Floor, One Canada Square,  
London, E14 4AB
- Structural Engineer  
AKT  
100 St John Street,  
London, EC1M 4EH
- M&E  
Hoare Lea  
Glen House, 200-208 Tottenham Court Road  
London, W1T 7PL
- Quantity Surveyor  
Gleeds  
95 New Cavendish St  
London, W1W 6AP
- Fire Consultant  
AECOM  
Aecon House, 63-77 Victoria Street,  
St Albans, Hertfordshire,  
AL1 3ER



DRAWING TITLE

**GENERAL ARRANGEMENT PLAN LOWER GROUND LEVEL**

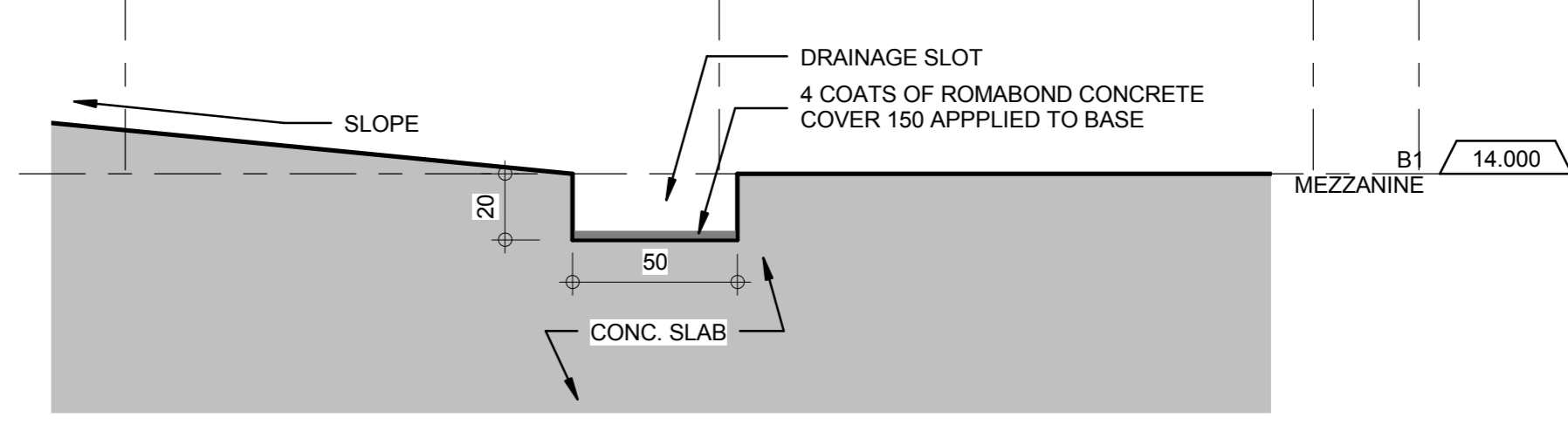
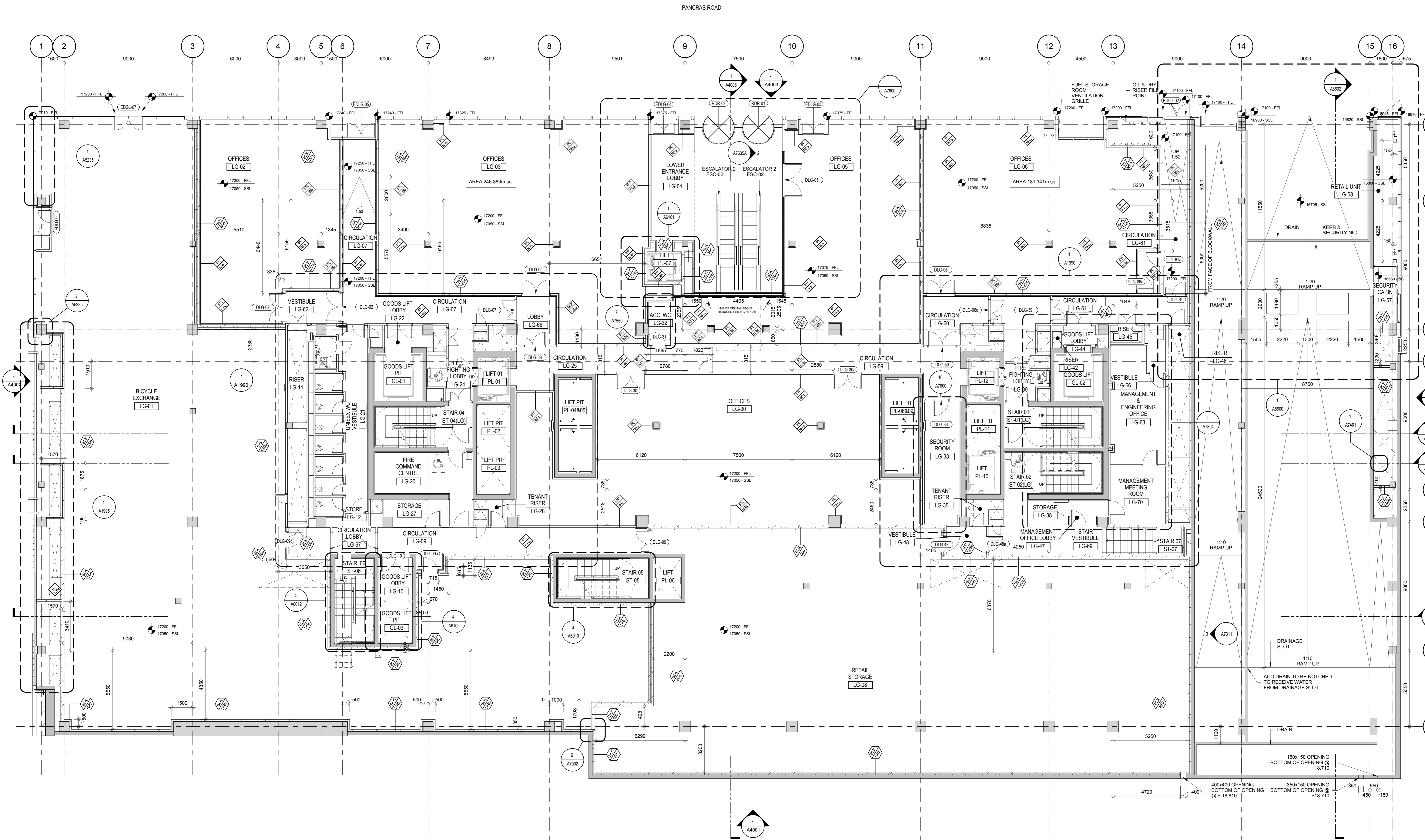
FFL + 17.200

DRAWN	CHECKED
SCALE @ A0	DATE
As indicated	21 JUN 2011

PROJECT NO. 1050-00

DRAWING NO. **A0990**

LOCATION	REVISION
B1	31



DETAIL SECTION, DRAINAGE SLOT

BASEMENT UNDER PANCRAS SQUARE

F:\Revit Local Files\KCC-Central\_B1\_Mazzei.rvt 18/12/2014 14:16:48