

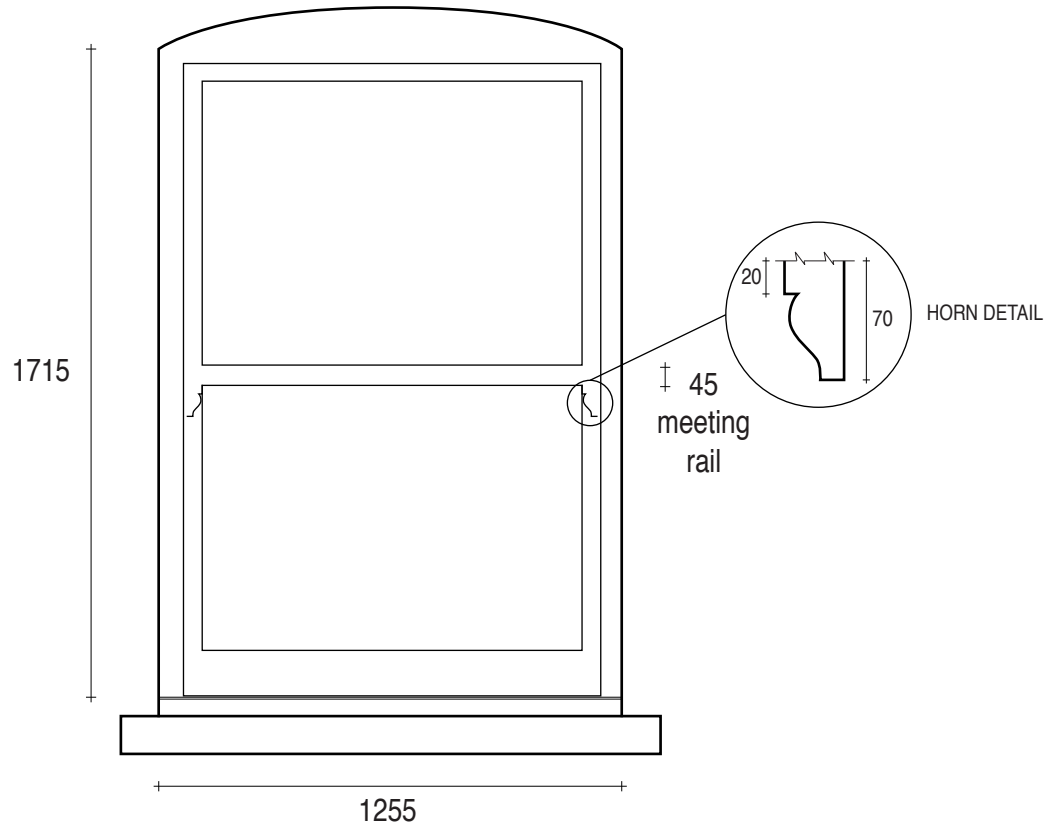
MR JOHN BERRY

75 HAVERSTOCK HILL, LONDON NW3 4SL

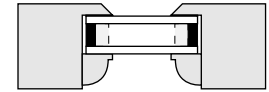
PROPOSED DOUBLE GLAZED SASHES
AT SECOND FLOOR FRONT ELEVATION

16 OCTOBER 2015

SPECIFICATION



SINGLE UNIT DOUBLE GLAZING
WITH APPLIED GLAZING BARS
OVER INTERNAL SPACER
TO TOP SASH



SASHES GLAZED INTERNALLY

4 | 16 | 4 DOUBLE GLAZING UNIT
LOW-E GLASS TO INSIDE PANE
ARGON FILLED SPACE

EXISTING MAIN FRAMES RETAINED

SCALE 1:20

Original Windows