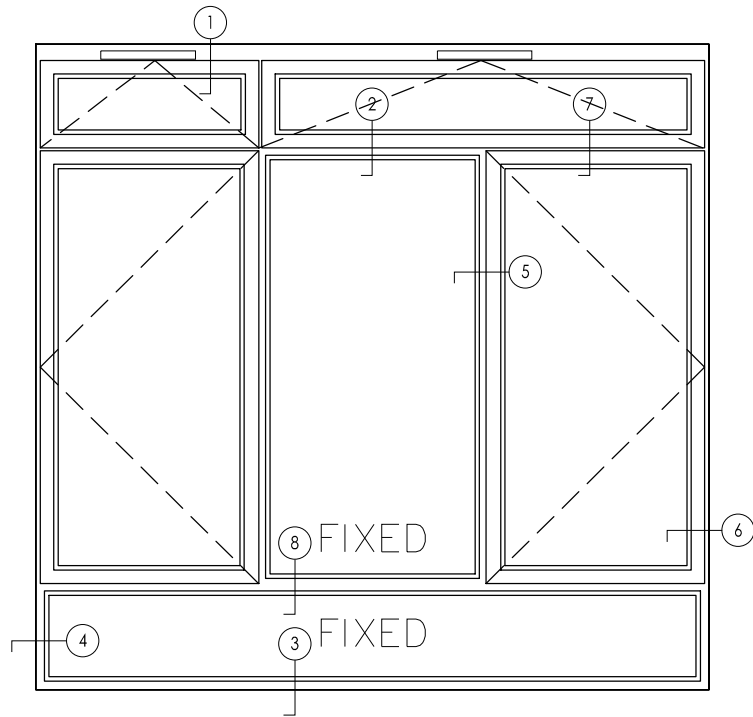
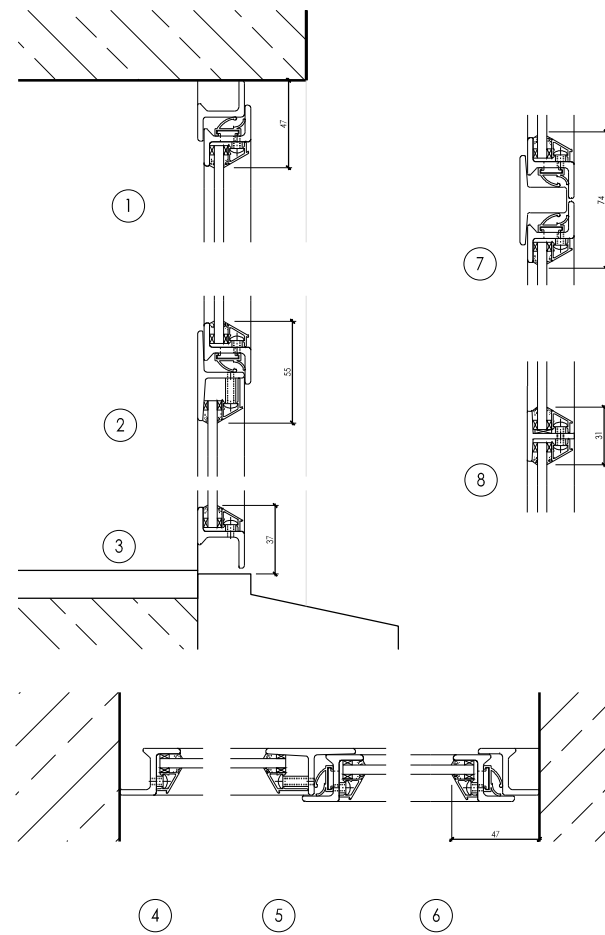


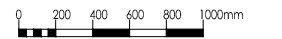
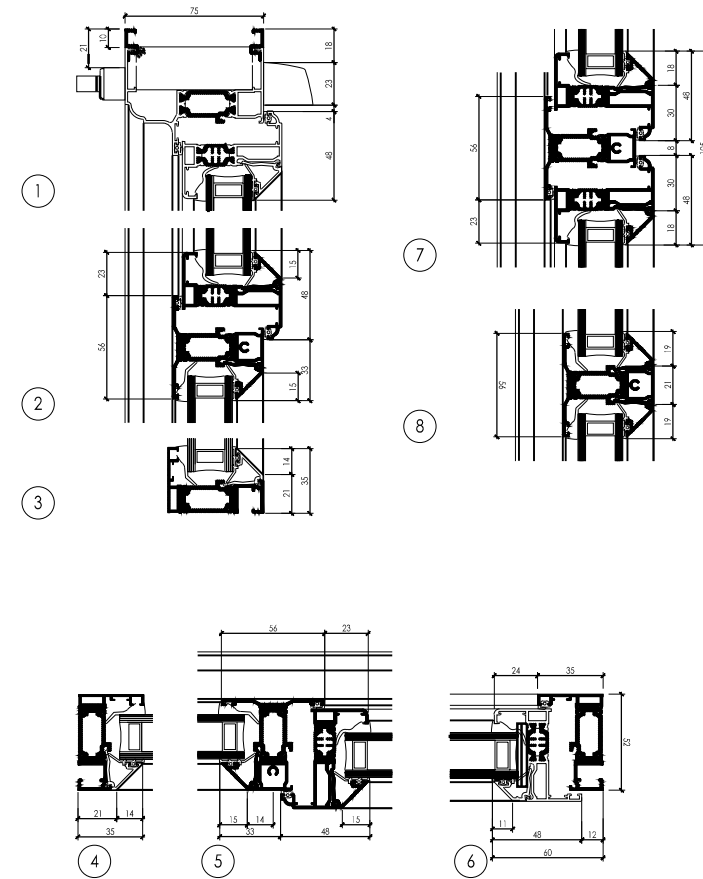
DETAILS RELEVANT TO WINDOW
 TYPES 01, 02, 03, 04, 05, 07, 09, 10,
 11, 12, 13, 14, 15, 18, 19, 20, 21, 22



EXISTING CRITTALL WINDOWS

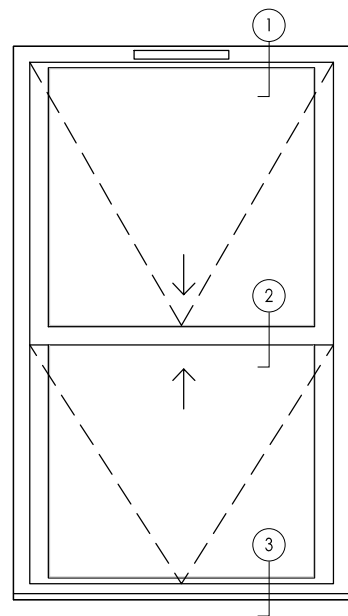


PROPOSED SLIM ALUMINUM CASEMENTS

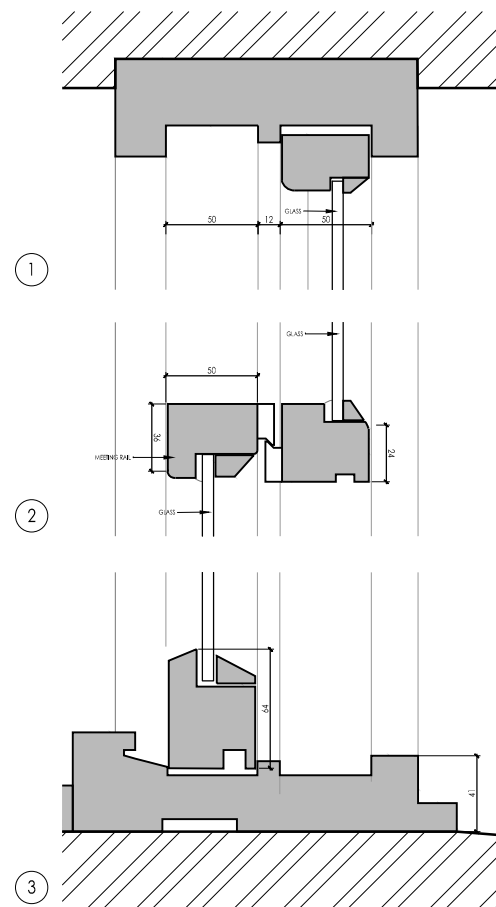


DO NOT SCALE FOR CONSTRUCTION

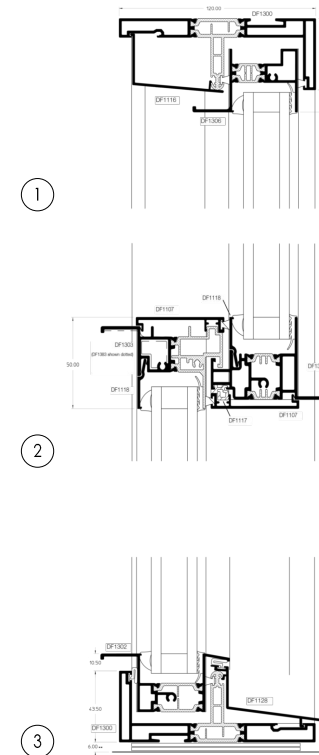
DETAILS RELEVANT TO WINDOW
 TYPES 06, 08



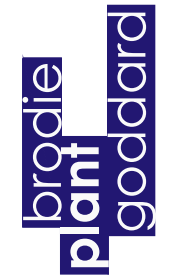
EXISTING SLIDING SASH



PROPOSED SLIDING SASH



Amendments



BUILDING SURVEYING
 ARCHITECTURE
 PROJECT MANAGEMENT
 QUANTITY SURVEYING

STUDIOS 1 & 2
 OLD KINGS HEAD COURT
 11 HIGH STREET
 DORKING
 SURREY RH4 1AR

T 01306 887070
 F 01306 876716
 admin@bpg.co.uk
 www.bpg.co.uk

PROJECT
 HILLWOOD HOUSE -
 EXTERIOR ENHANCEMENT

CLIENT
 ORIGIN HOUSING

DATE
 OCT 2015

DRAWN CN CHECKED CM

SCALE 1:2 @ A1 FOR TENDER
 1:10 @ A1

TITLE
 WINDOW DETAILS - HILLWOOD HOUSE

DRAWING NO. 3737/WD011 REV *