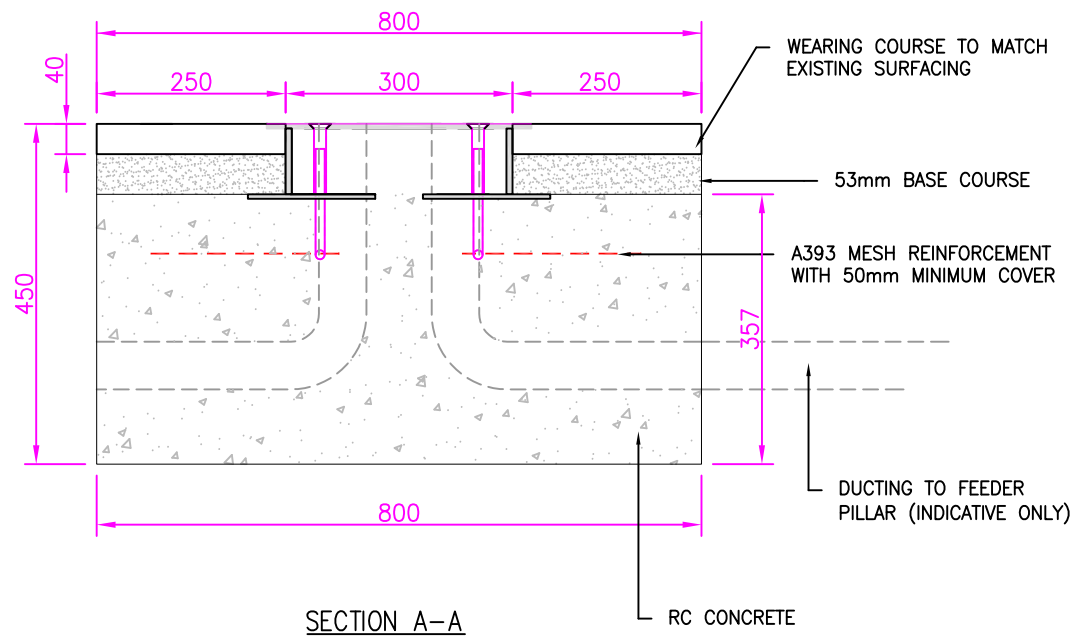
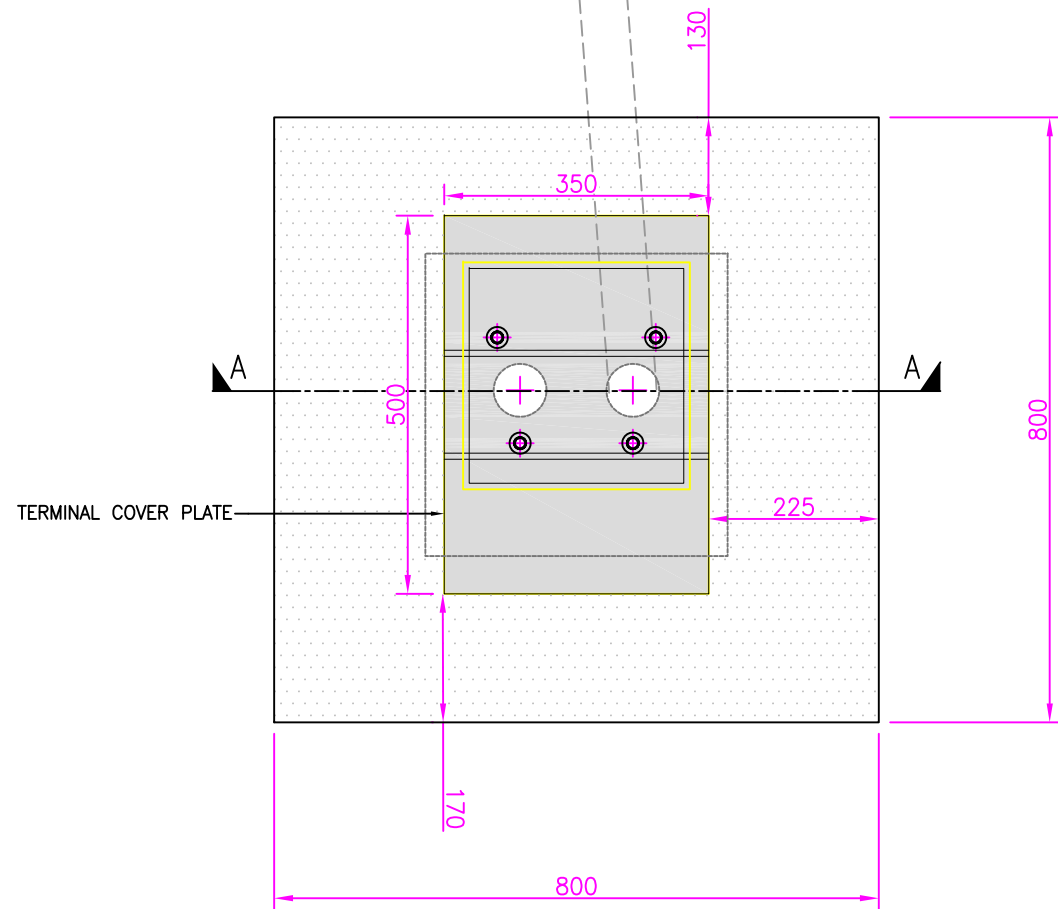
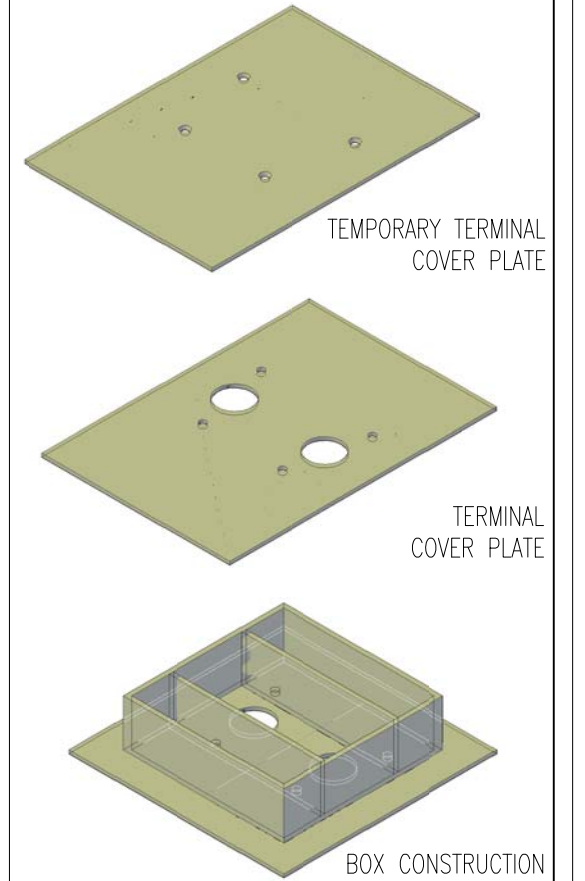


DUCTING TO FEEDER PILLAR (INDICATIVE ONLY)



TERMINAL BOX CONSTRUCTION DETAILS (SCALE - 1:10)



Surface Transport  
Roads Directorate  
Traffic Design Engineering  
230 Blackfriars Road  
London  
SE1 8NW



project  
SANTANDER CYCLES  
drawing title  
Standard Terminal Foundation  
Carriageway

borough	-				
site no.	-				
date	scale	drn	chk	app	
22/10/12	1:10 @ A3	AH	DP	AS	
Dwg N°	TDE-CW-T-PL				rev
status	FOR INFORMATION				B

Rev	Date	Description	Drn	Chk	App
B	07/05/15	ADDRESS AND LOGO CHANGED	CEP	JJS	DR
A	29/11/12	MINOR AMENDMENTS	JMG	AB	AS