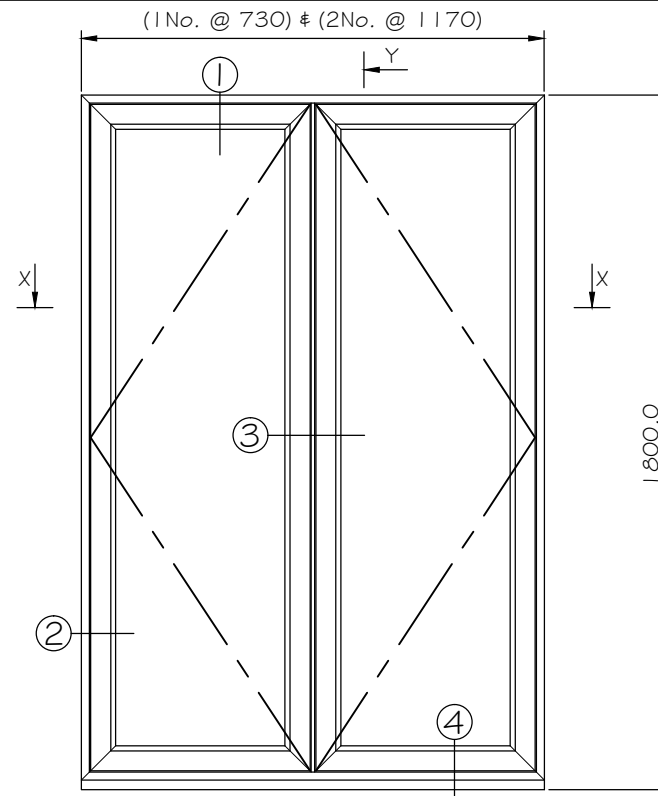
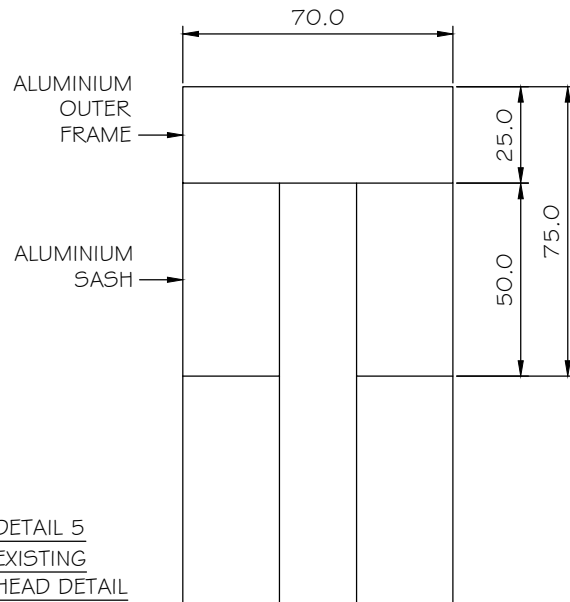


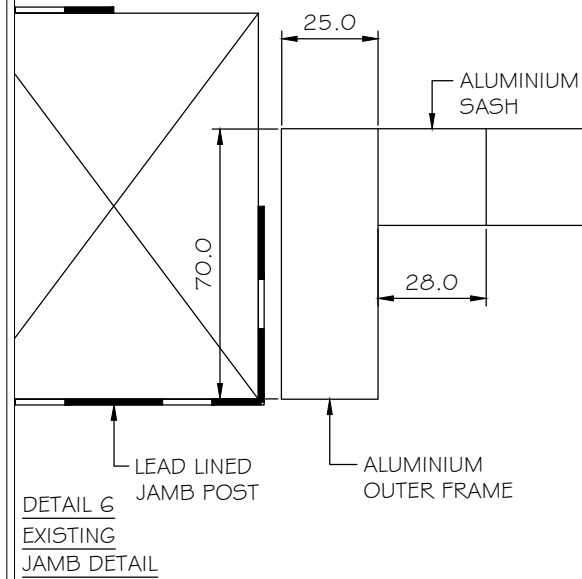
EXISTING ALUMINIUM SLIDING WINDOW
VIEWED EXTERNALLY
FINISHED WHITE



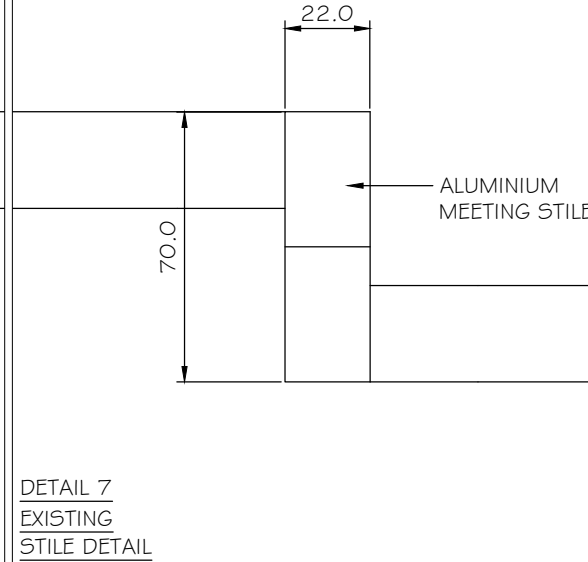
PROPOSED SIDE HUNG ALUMINIUM WINDOW
3No. REQ'D VIEWED EXTERNALLY
FINISHED WHITE



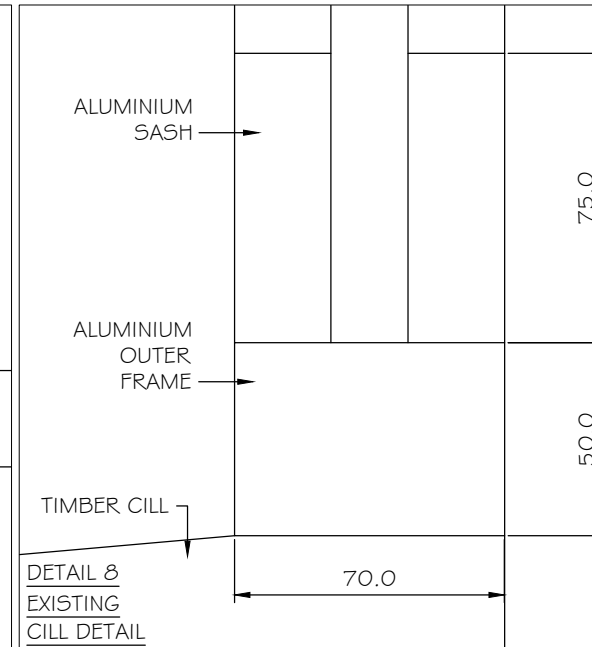
DETAIL 5
EXISTING
HEAD DETAIL



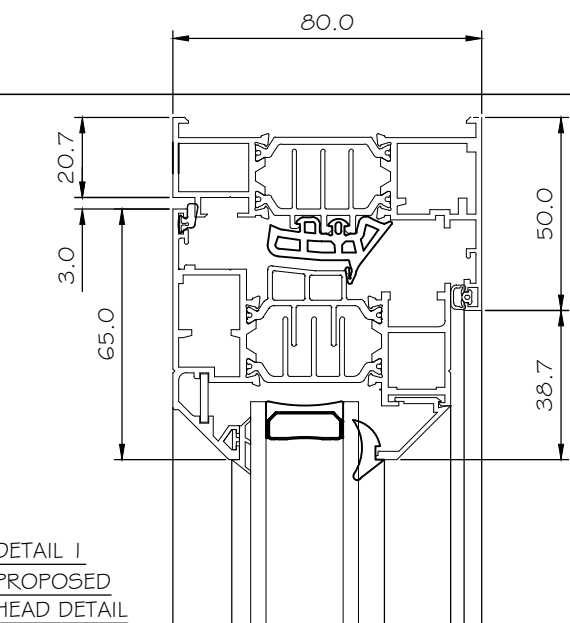
DETAIL 6
EXISTING
JAMB DETAIL



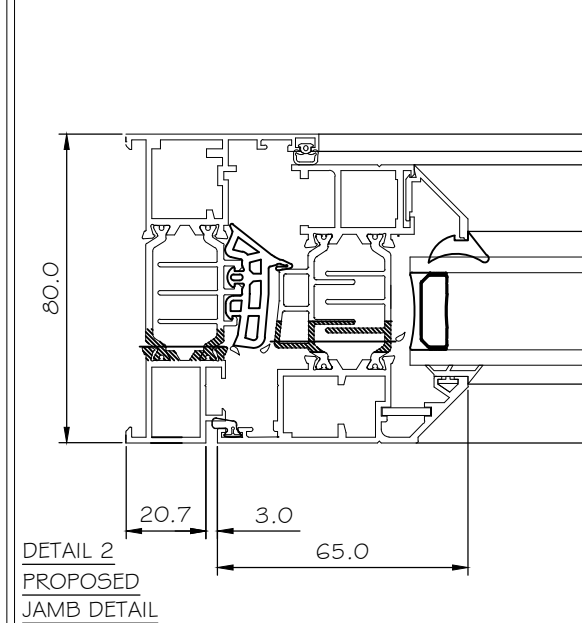
DETAIL 7
EXISTING
STILE DETAIL



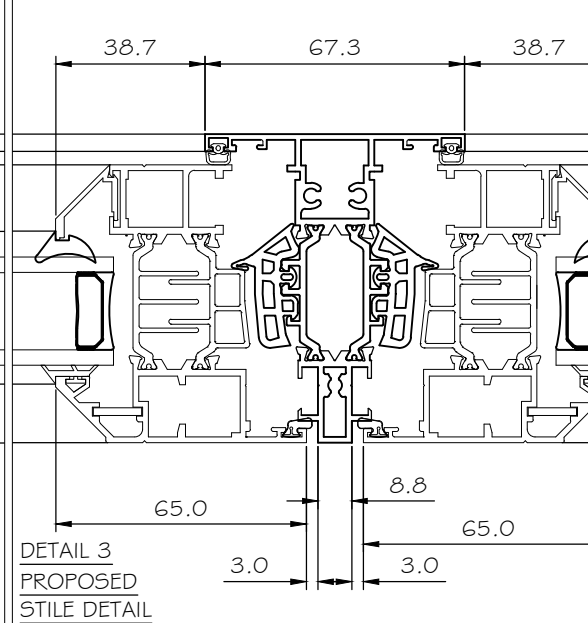
DETAIL 8
EXISTING
CILL DETAIL



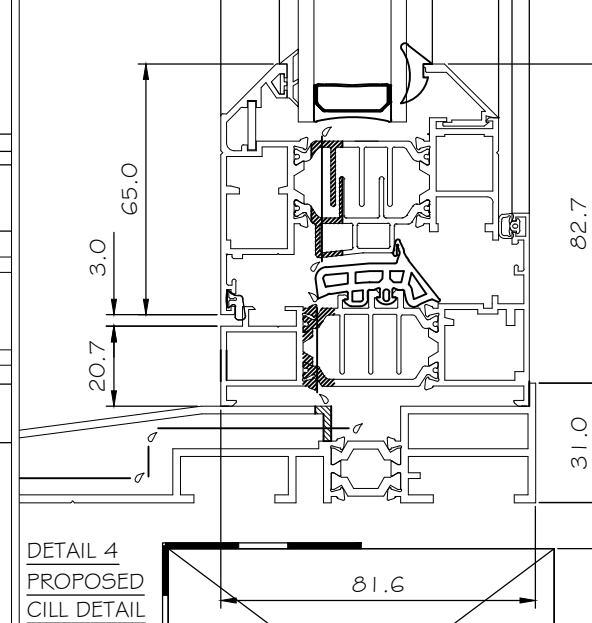
DETAIL 1
PROPOSED
HEAD DETAIL



DETAIL 2
PROPOSED
JAMB DETAIL



DETAIL 3
PROPOSED
STILE DETAIL



DETAIL 4
PROPOSED
CILL DETAIL

B	12.10.2015	AMMENDED TO COMMENTS	TJK
A	21.09.2015	FIRST ISSUE	TJK

JPW OSPREY

JPW Osprey Limited
Lewin House,
Dorking Road,
Tadworth,
Surrey. KT20 5SA
TEL: 01926 614889
E-Mail: info@jpwosprey.com

TimTech Ltd - Facade Engineering

Squirrels Oak, Woodland Way,
Kingswood, Surrey. KT20 6NX
TEL: 01926 614889
E-Mail: mail@tim-tech.co.uk
Web: www.tim-tech.co.uk

PROJECT: GRAYS INN ROAD

CLIENT: REGUS

DRAWING TITLE: WINDOW TYPE 01

DRAWN BY: TimTech Ltd	DATE: 21.09.2015	SCALE: -	CHECKED: -
DRAWING NUMBER: GRAY-EL-01	REVISION: B		