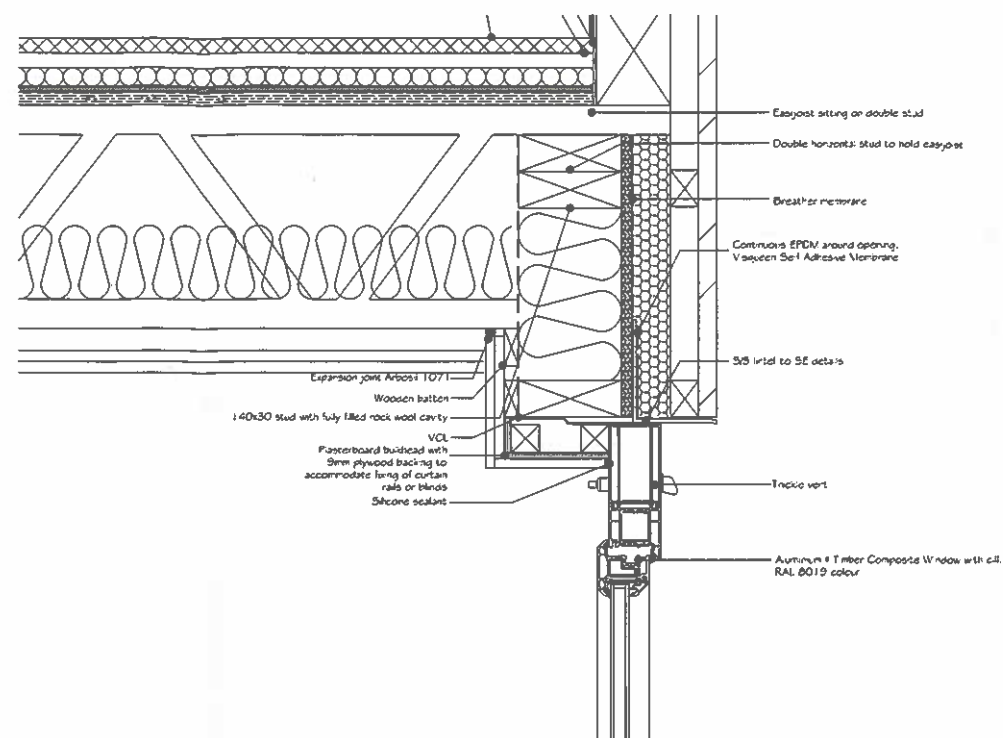
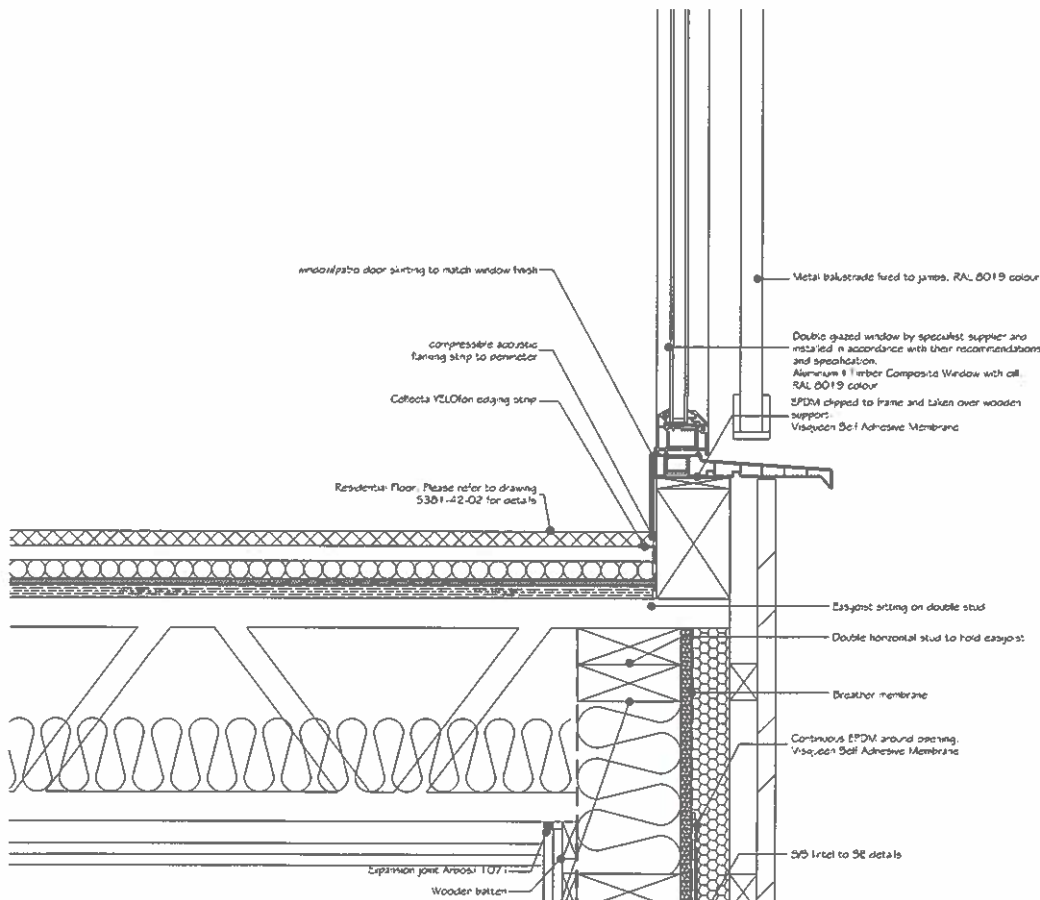


01 ELEVATION
Scale 1:20



02 WINDOW HEAD DETAIL
Scale 1:5



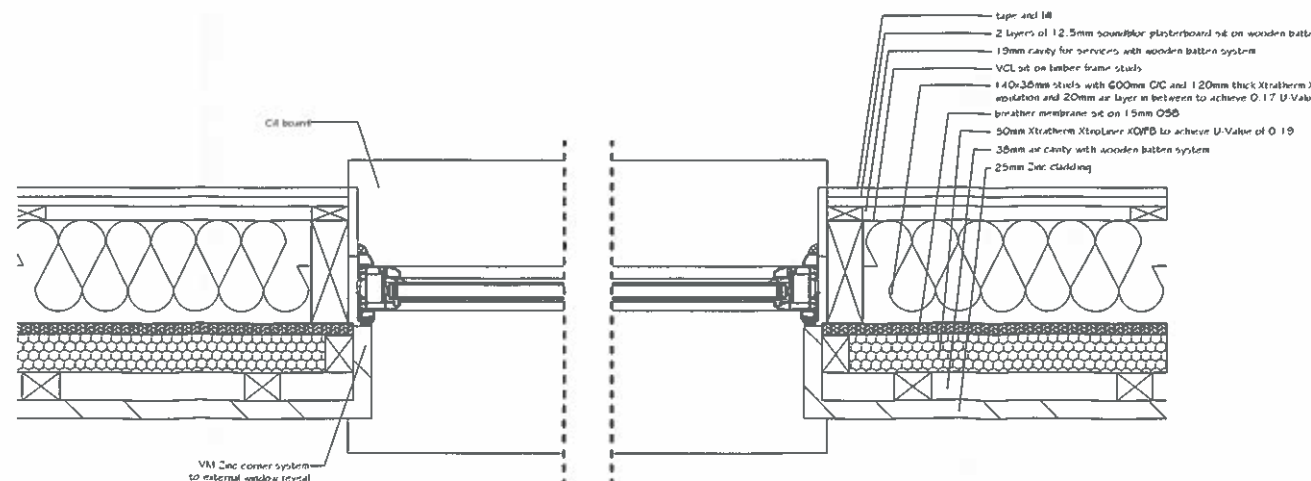
03 WINDOW CILL DETAIL
Scale 1:5



04 RAL 8019 - Window and Balustrade Colour

05 PIGMENTO Brown Zinc

06 ANTHRA-Zinc



04 Brick Slip - Jamb return
Scale 1:5



Project: 59-61, LEIGHTON ROAD LONDON NW5 2QH

Title: WINDOW CILL HEAD & JAMB DETAILS ZINC CLADDING Approval of details - Condition 2

Scale: 1:5=A1 Drawn by: MGM

Date: SEPTEMBER 2015 Checked: SAS

Drawing Number: 5381-PL-42-27 Revision: PLO1

DISCLAIMER: ALL DIMENSIONS ARE TO BE CHECKED AND VERIFIED ON SITE AND ALL DISCREPANCIES REPORTED TO OUR ASSOCIATES PRIOR TO ANY CONSTRUCTION WORK BEING PLACE. THIS DRAWING IS THE PROPERTY AND COPYRIGHT OF MGM ASSOCIATES AND CAN NOT BE REPRODUCED WITHOUT PERMISSION.

FOR PLANNING