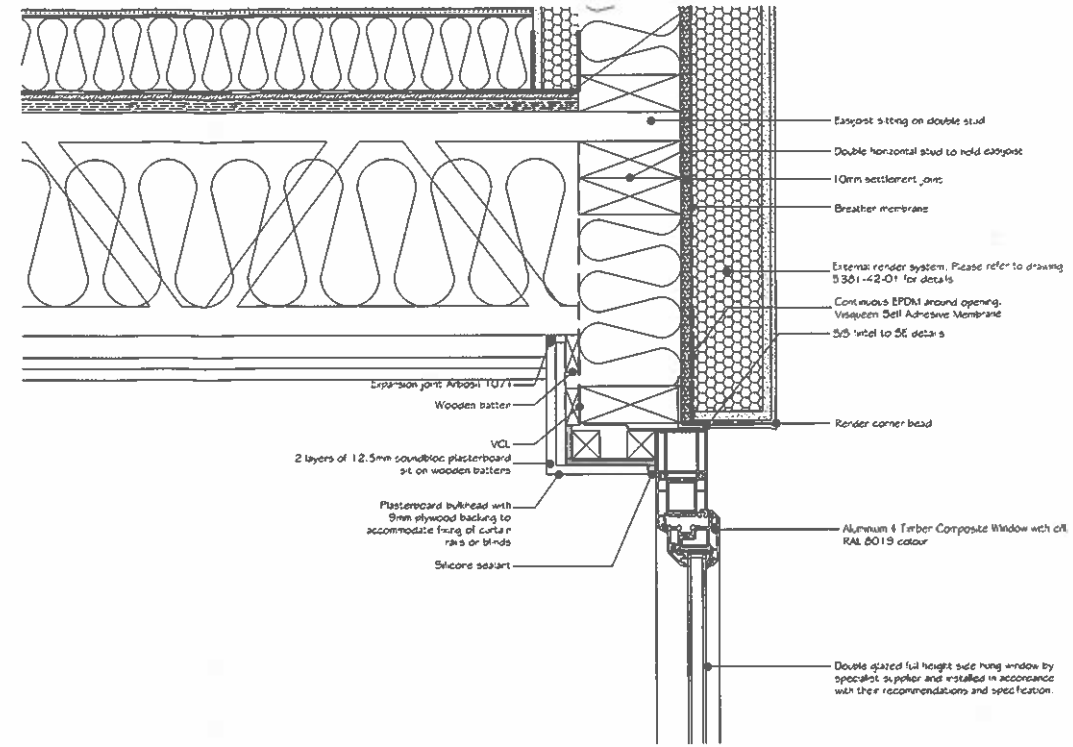
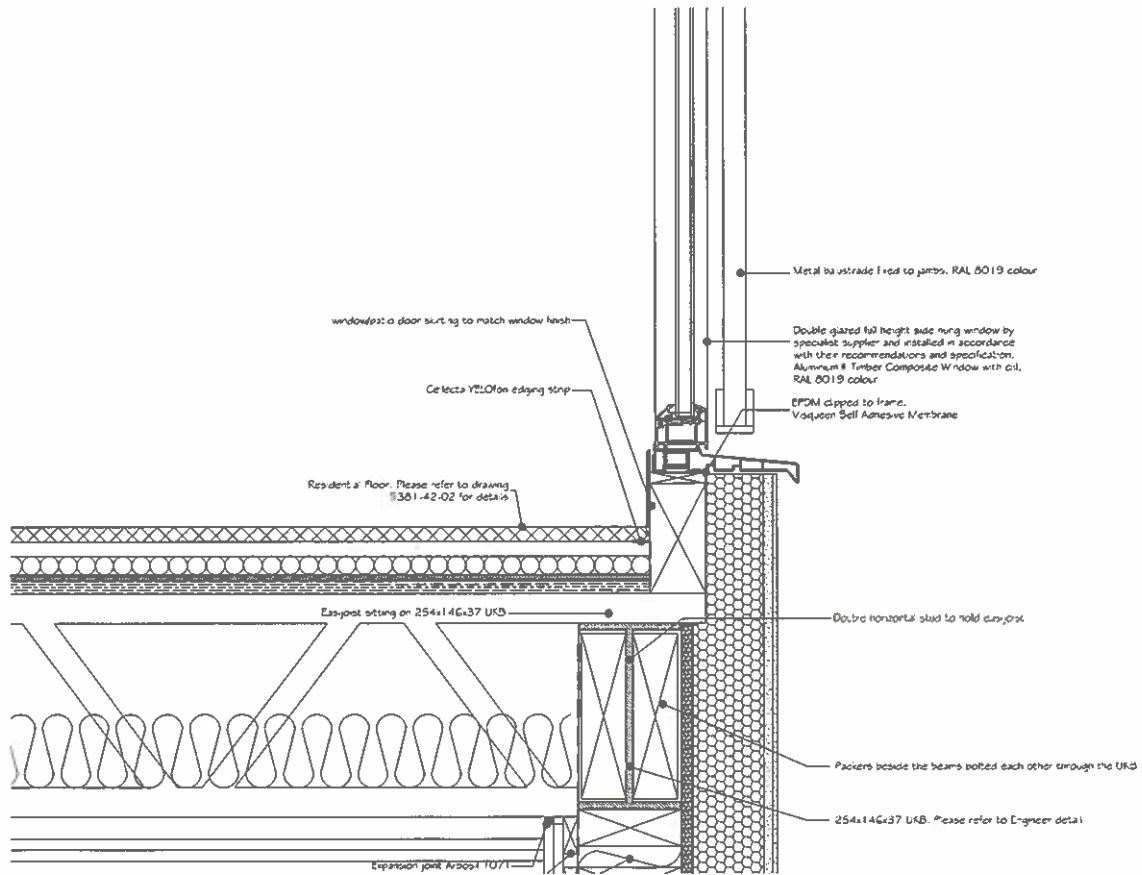


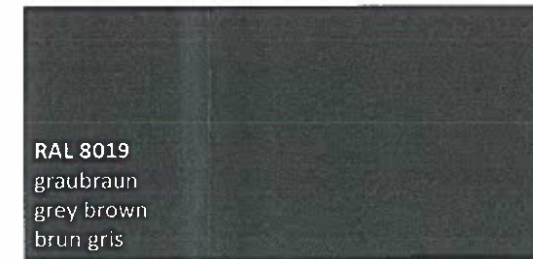
01 ELEVATION
Scale 1:20



02 WINDOW HEAD DETAIL
Scale 1:5



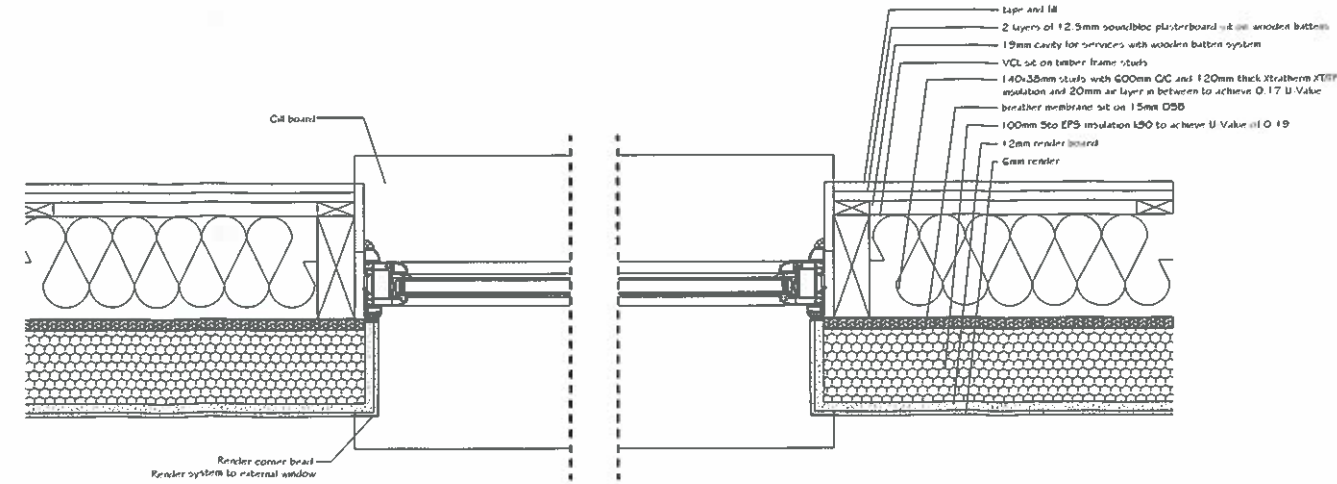
03 WINDOW CILL DETAIL
Scale 1:5



0 RAL 8019 - Window and Balustrade Colour



0 RAL 7006 - Render Colour



04 Brick Slip - Jamb return
Scale 1:5



Project 59-61, LEIGHTON ROAD
LONDON
NWS 2QH

For WINDOW CILL, HEAD & JAMB DETAILS
RENDER CLADDING
Approval of details - Condition 2

Scale 1:5=A1 Drawn by MGA

Date SEPTEMBER 2015 Checked SAS

Drawing Number 5381-PL-42-26 Revision PLOI

ALL DIMENSIONS ARE TO BE CHECKED AND VERIFIED ON SITE AND ALL DISCREPANCIES REPORTED TO USH ASSOCIATES PRIOR TO ANY CONSTRUCTION WORK BEING PLACED.
THIS DRAWING IS THE PROPERTY AND COPYRIGHT OF USH ASSOCIATES AND CAN NOT BE REPRODUCED WITHOUT PERMISSION.

FOR PLANNING