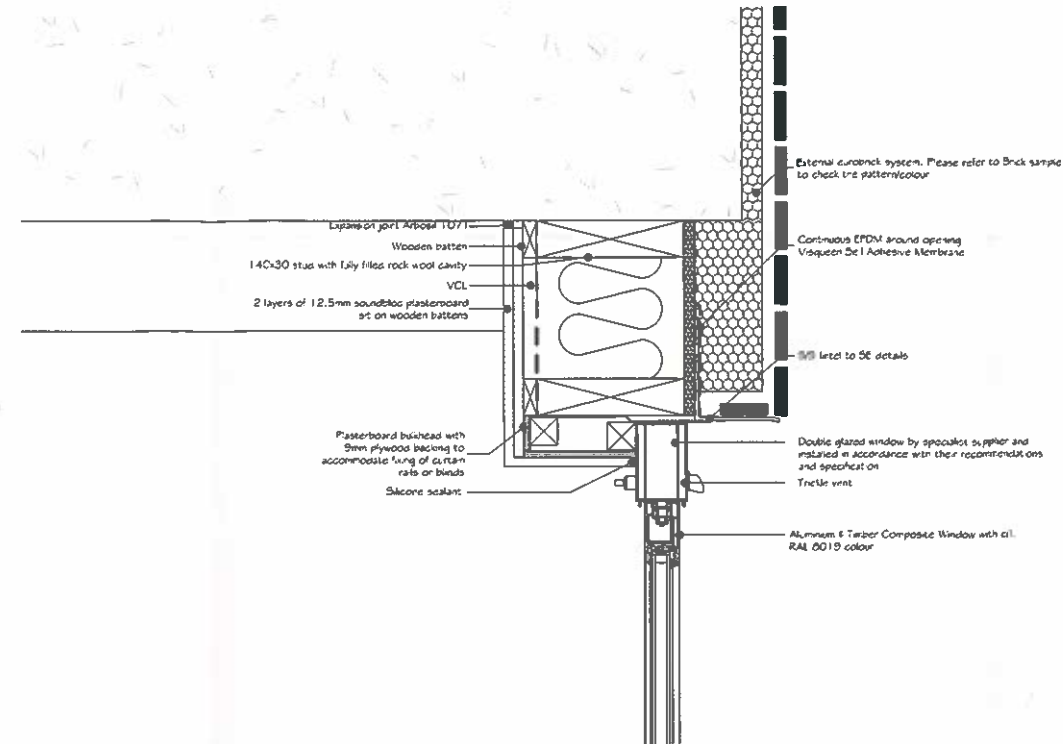
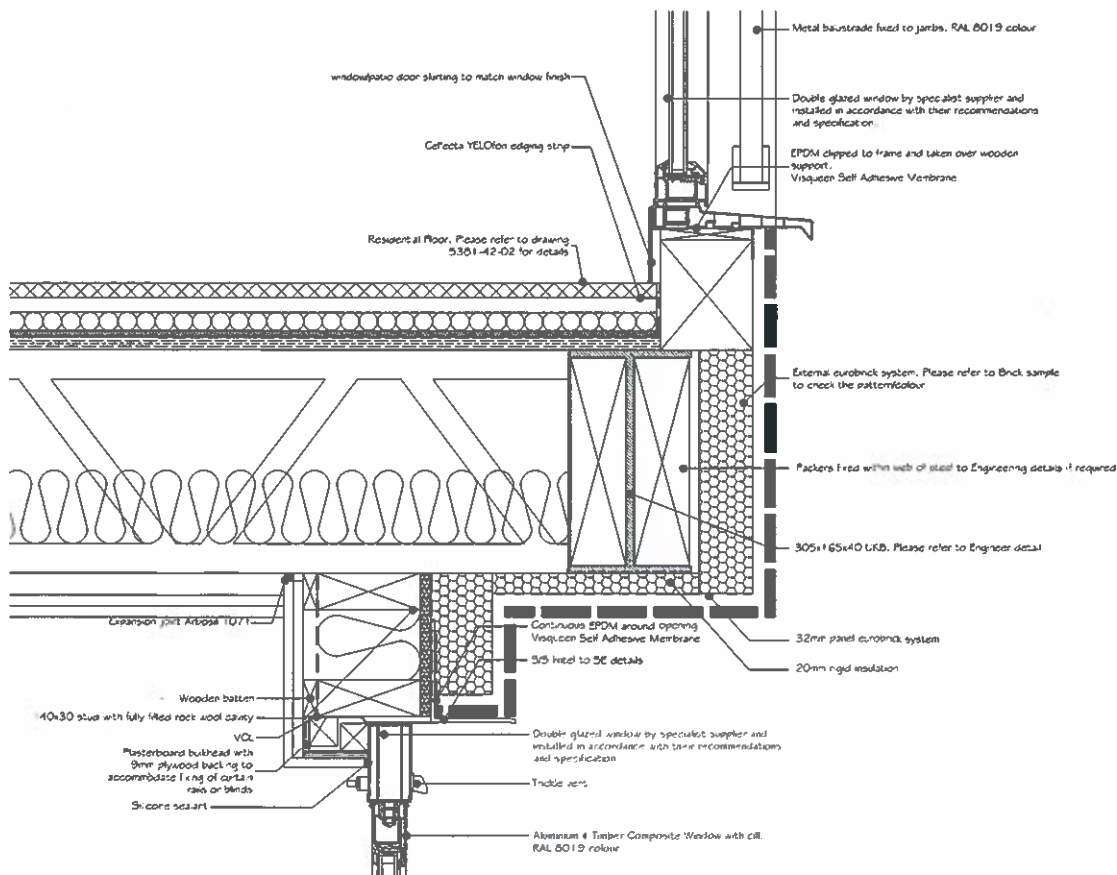


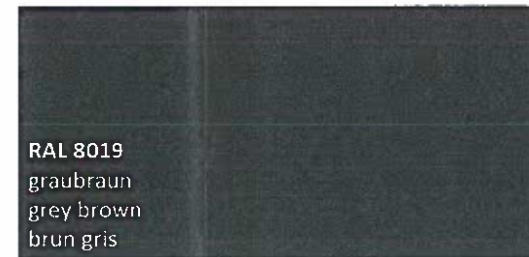
01 ELEVATION
Scale 1:20



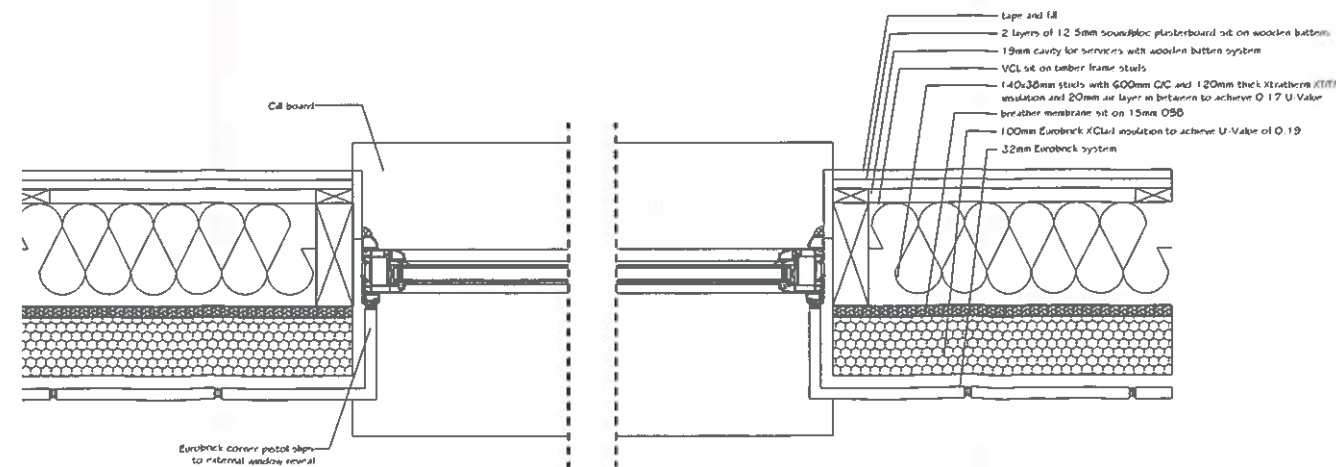
02 WINDOW HEAD DETAIL
Scale 1:5



03 WINDOW CILL DETAIL
Scale 1:5



04 RAL 8019 - Window and Balustrade Colour



04 Brick Slip - Jamb return
Scale 1:5



Project: 59-61, LEIGHTON ROAD LONDON NWS 2QH

Title: WINDOW CILL, HEAD & JAMB DETAILS BRICK CLADDING Approval of details - Condition 2

Date: 1.5.4.1	Drawn by: MGM
Date: SEPTEMBER 2015	Checked: SAS
Drawing Number: 5381-PL-42-25	Revision: PL01

ALL DIMENSIONS ARE TO BE CHECKED AND VERIFIED ON SITE AND ALL DISCREPANCIES REPORTED TO M&A ASSOCIATES PRIOR TO ANY CONSTRUCTION WORK BEING PLACED. THIS DRAWING IS THE PROPERTY AND COPYRIGHT OF M&A ASSOCIATES AND CAN NOT BE REPRODUCED WITHOUT PERMISSION.

FOR PLANNING