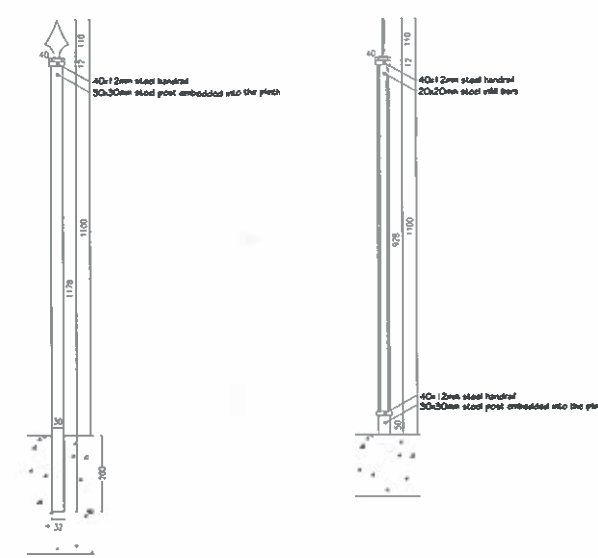
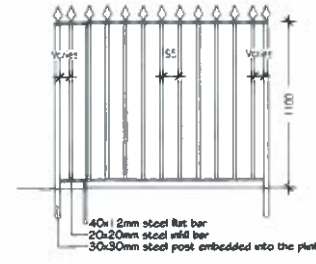
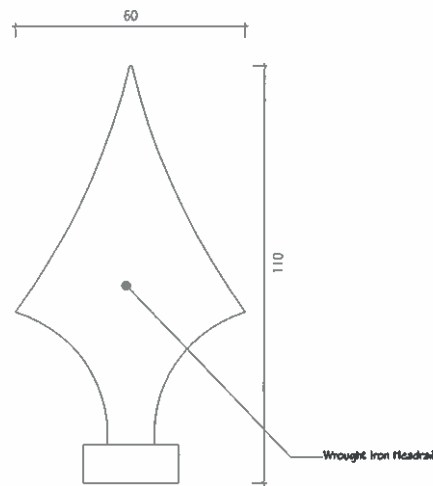


01 External new railing Plan & Elevations  
SCALE 1:25@A1



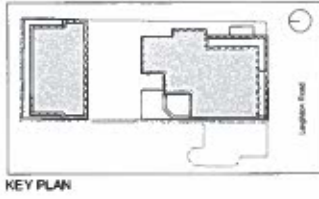
02 Railing Posts Fixing Details  
SCALE 1:10@A1



03 External Railing Finial Detail  
SCALE 1:1@A1



04 RAL 9011 - Painting Colour



Project 59-61, LEIGHTON ROAD  
LONDON  
NW5 2QH

EXTERNAL NEW RAILING  
Approval of details - Condition 2

Scale	AS SHOWN	Drawn by	MGM
Date	SEPTEMBER 2015	Checked	SAS
Drawing Number	5381-PL-13-05	Revised	PL01

ALL DIMENSIONS ARE TO BE CHECKED AND VERIFIED ON SITE AND ALL DISCREPANCIES REPORTED TO LOCAL ASSOCIATES PRIOR TO ANY CONSTRUCTION WORK TAKING PLACE.  
THIS DRAWING IS THE PROPERTY AND COPYRIGHT OF MGM ASSOCIATES AND CAN NOT BE REPRODUCED WITHOUT PERMISSION.

FOR PLANNING