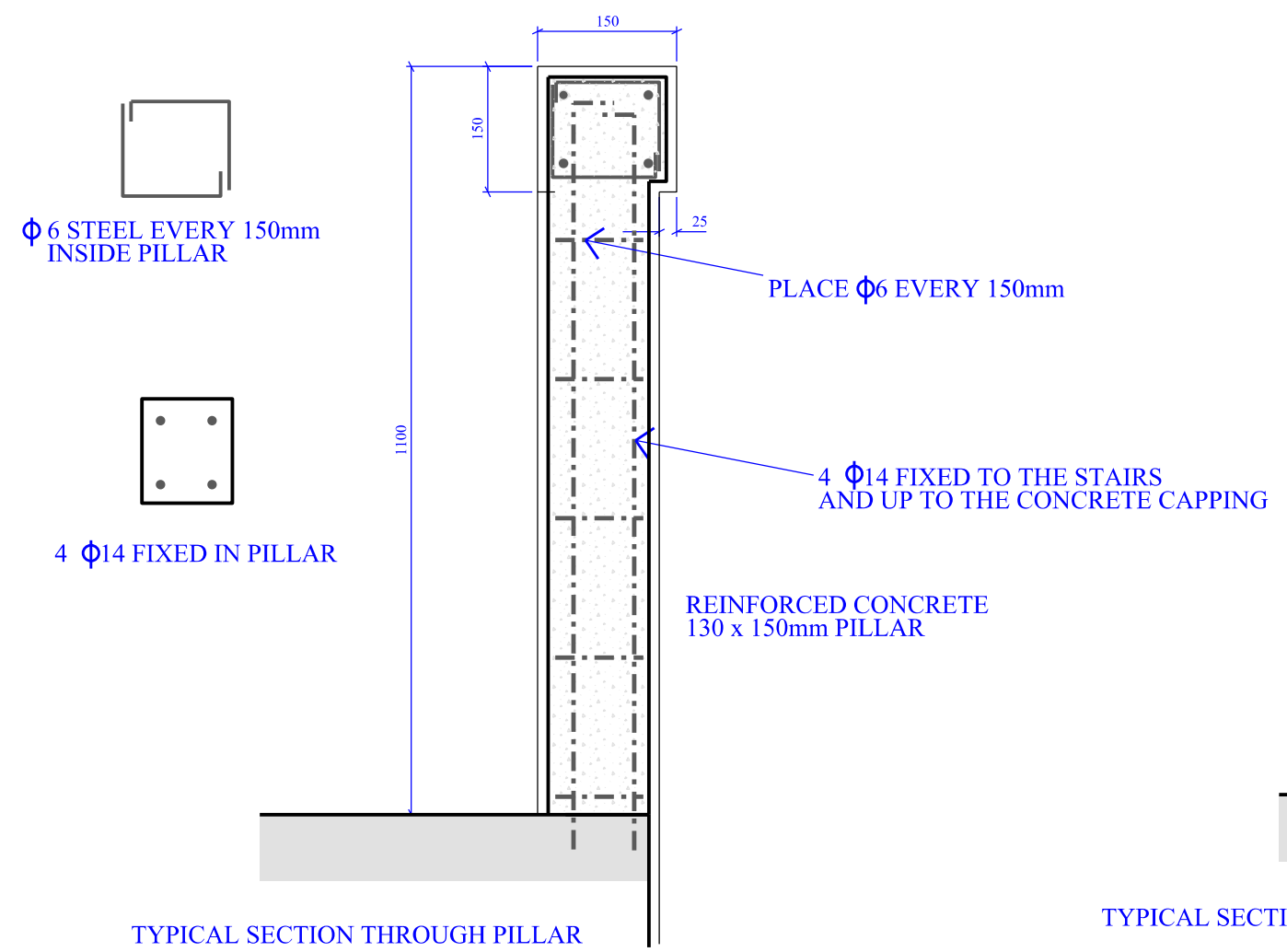
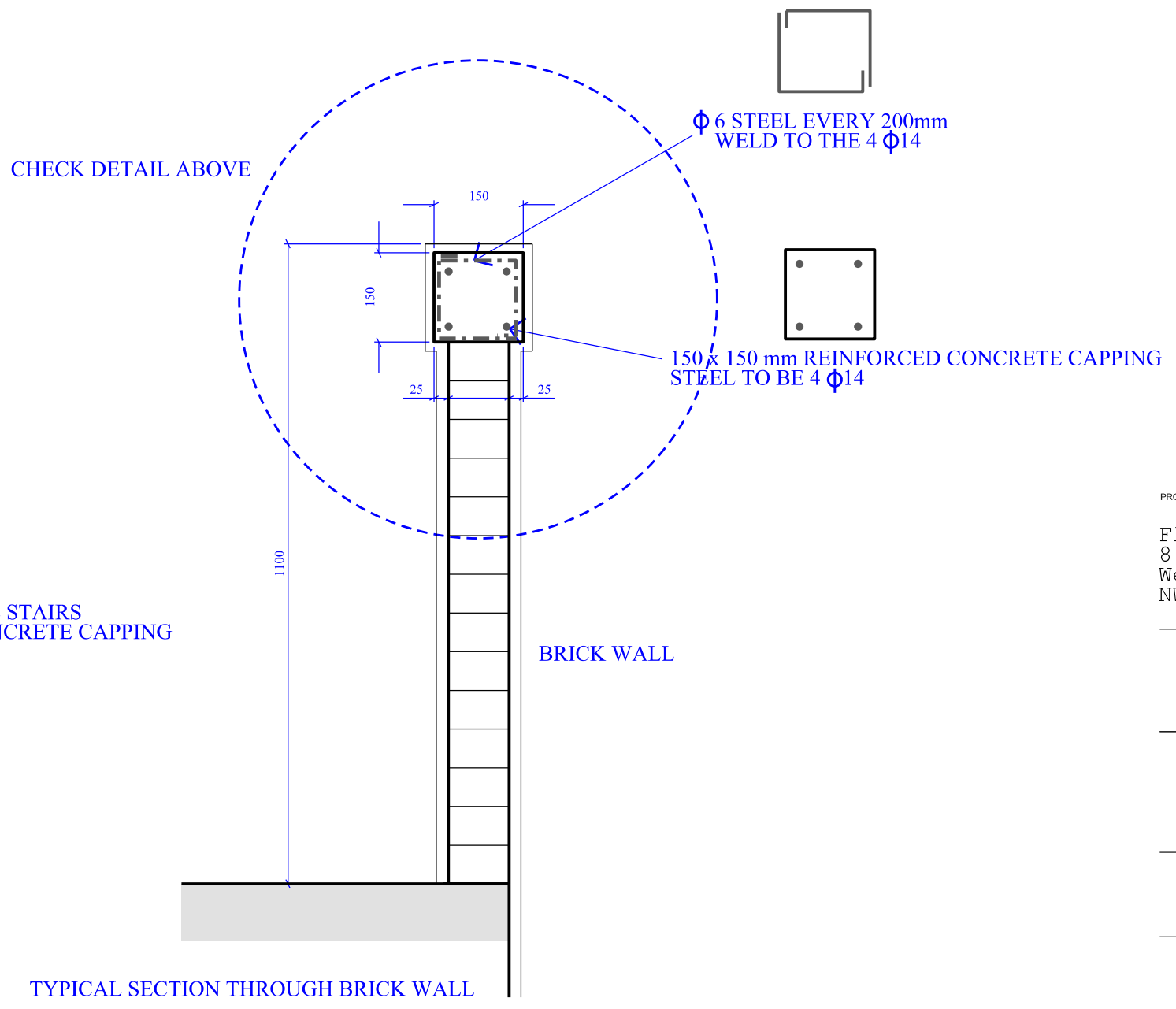


DETAIL OF METAL BALUSTRADE / PLANTER TO BE FIXED WITHIN THE REINFORCED CONCRETE CAPPING



TYPICAL SECTION THROUGH PILLAR



TYPICAL SECTION THROUGH BRICK WALL

PROJECT PROJECT
 Flat 1
 8 Dennington Park Road
 West Hampstead
 NW6 1BA

PROPOSED BALUSTRADE CONSTRUCTION DETAILS

Pietro Belli (ARB)
 19B Lambolle Road
 London NW3 4HS
 m. +44 (0)7930474754
 pietrobellidesign@gmail.com

OCTOBER 2015