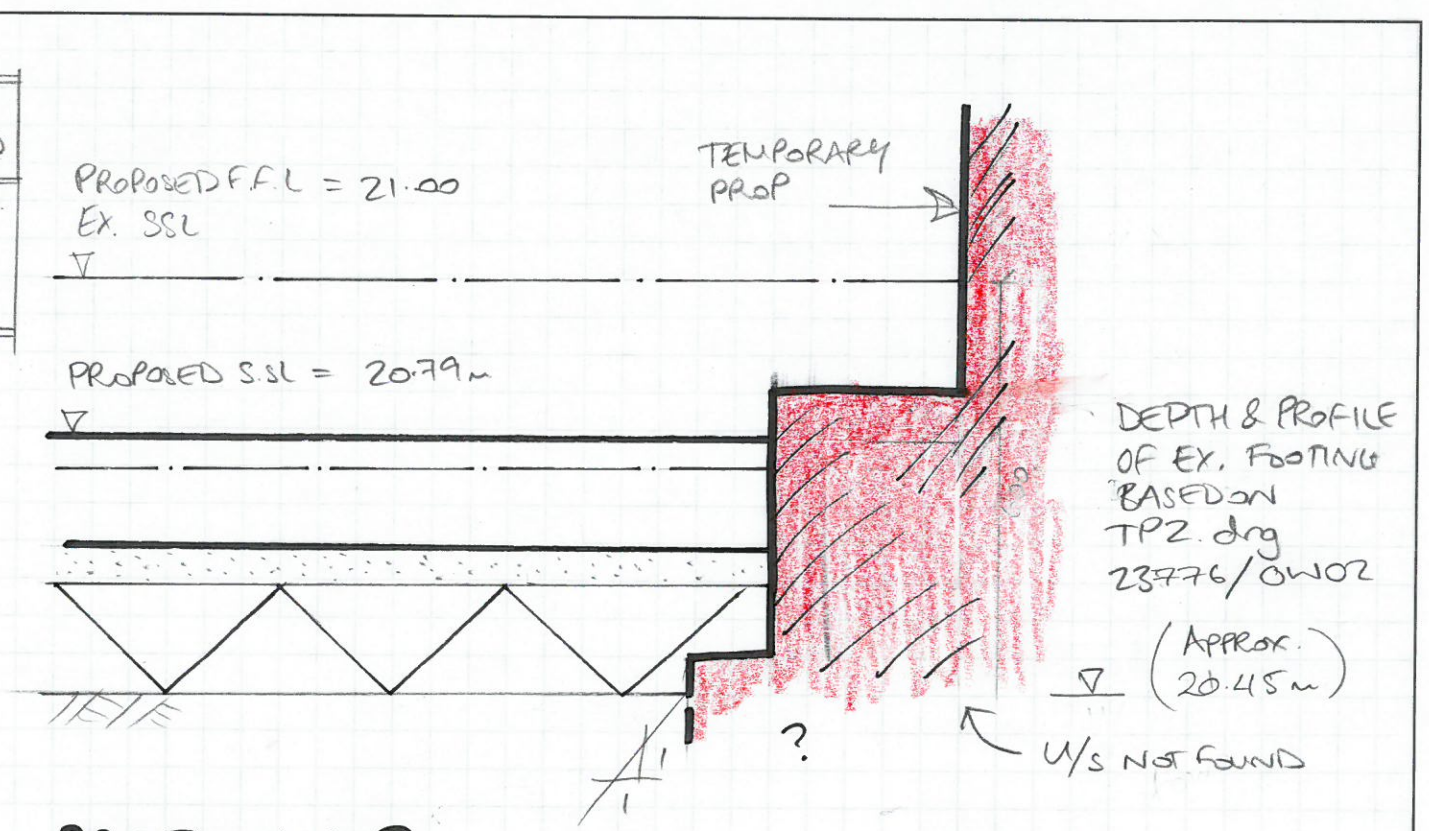
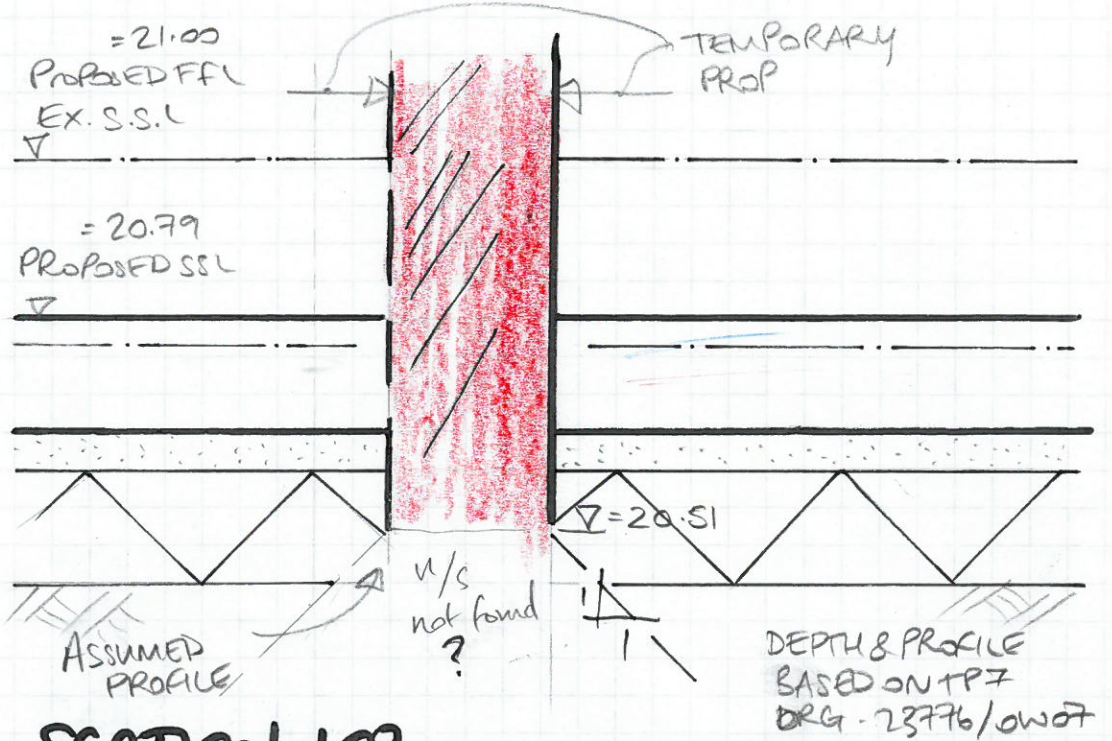


SECTION 101
Scale 1:10 @ A3

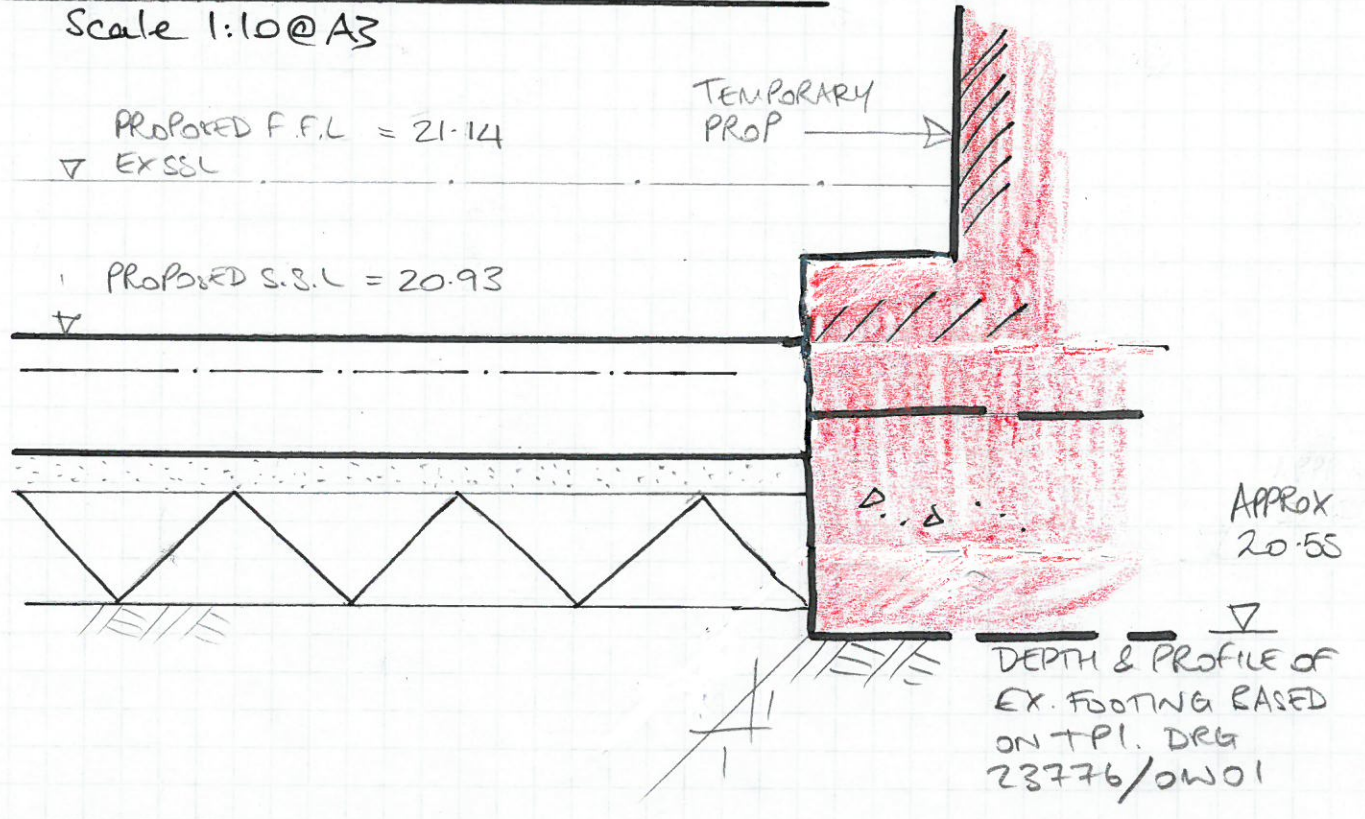


SECTION 103
Scale 1:10 @ A3



SECTION 102
Scale 1:10 @ A3

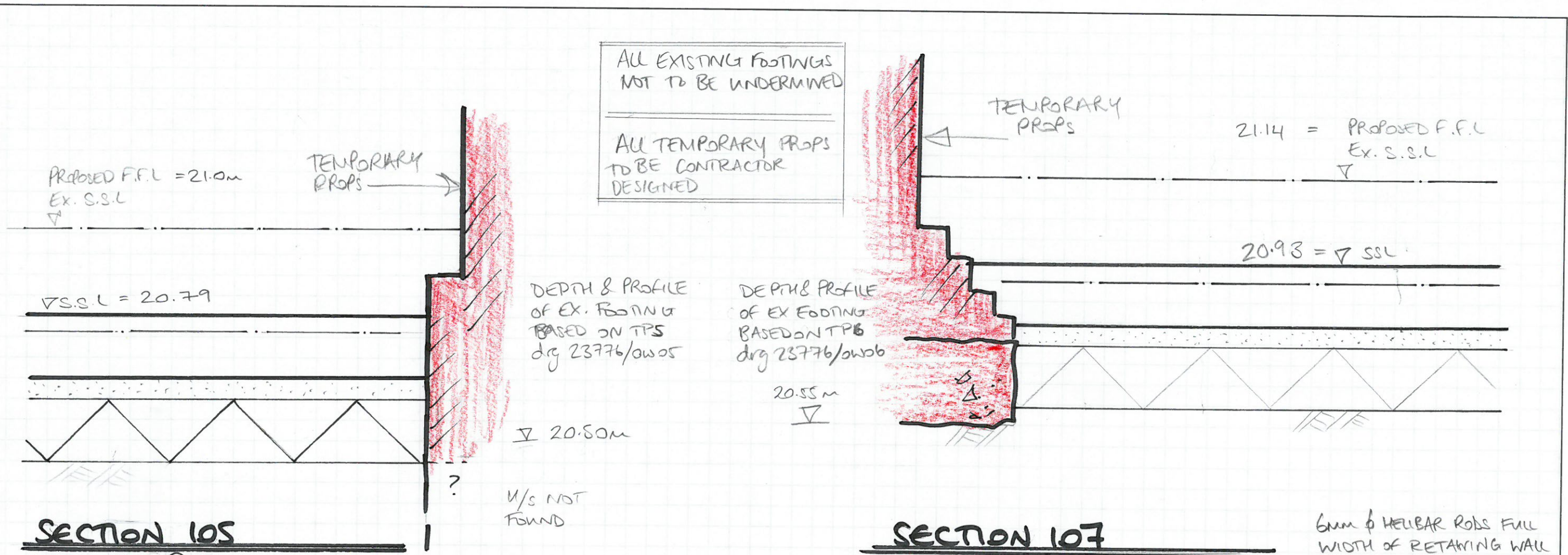
LOWER GROUND FLOOR



SECTION 104
Scale 1:10 @ A3

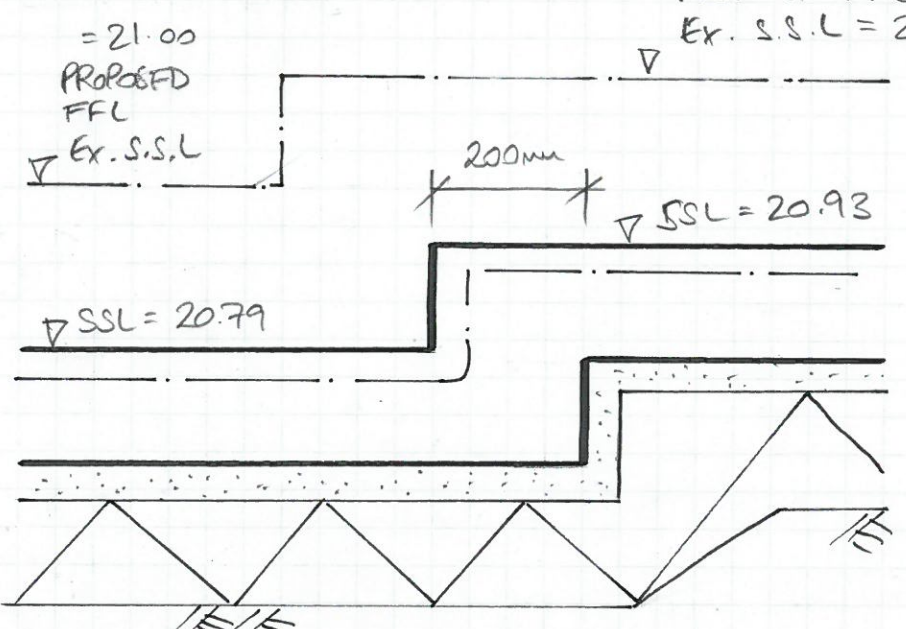
ALL EXISTING FOOTINGS NOT TO BE UNDERMINED

ALL TEMPORARY PROPS TO BE CONTRACTOR DESIGNED



SECTION 105

Scale 1:10 @ A3

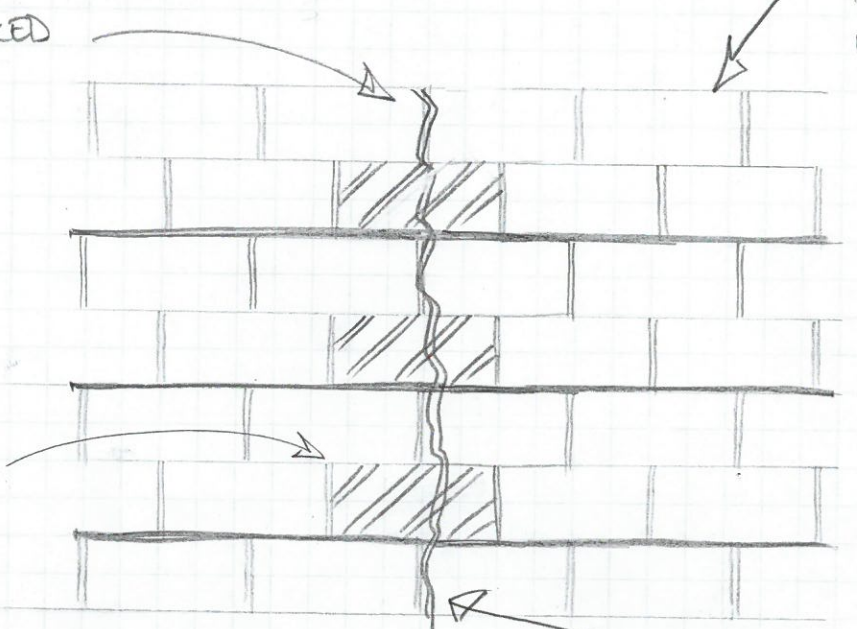


SECTION 106

Scale 1:10 @ A3

SECTION 107

Scale 1:10 @ A3



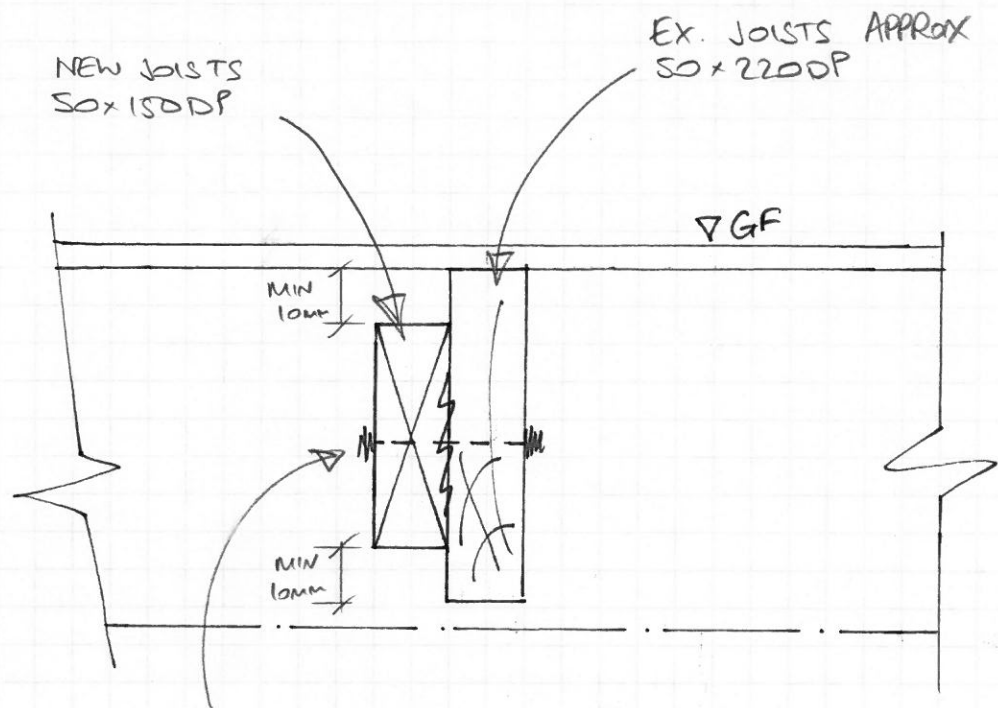
SECTION 108

Scale 1:10 @ A3

LOWER GROUND FLOOR

6mm ϕ HELIXBAR ROBS FULL WIDTH OF RETAINING WALL BONDED INTO 45mm DEEP SLOTS CUT INTO MOTAR BEDS WITH HELIBOND GROUT, EVERY OTHER BRICK COURSE

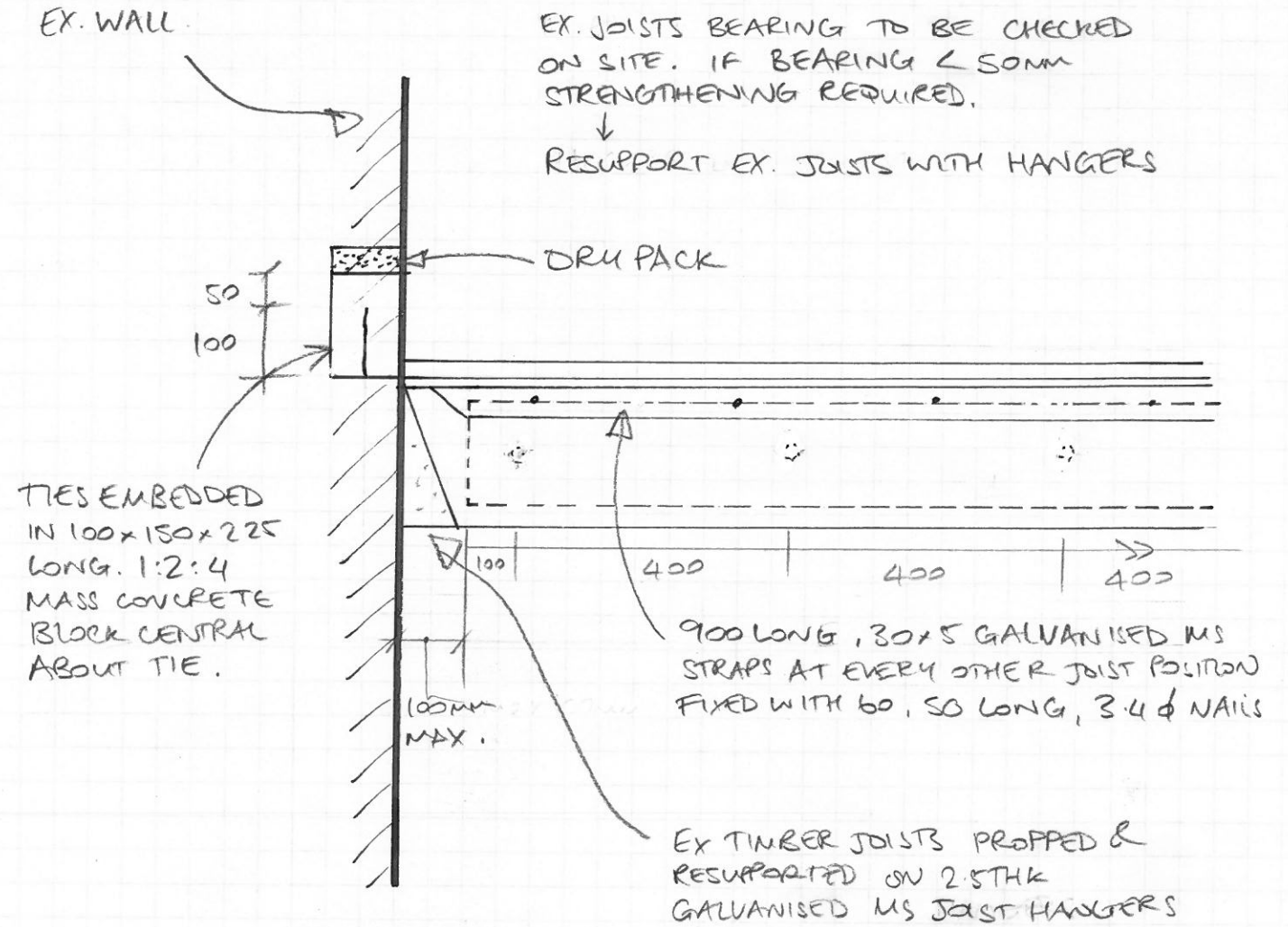
JOINTS TO BE RAKED OUT & REPOINTED WITH NEW MOTAR



NEW JOISTS FIXED TO EX. JOISTS VIA M12 BOLTS & DOUBLE SIDED TOOTHPLATE CONNECTORS @ 400 CLC'S

SECTION 201 - TYPICAL STRENGTHENING DETAIL

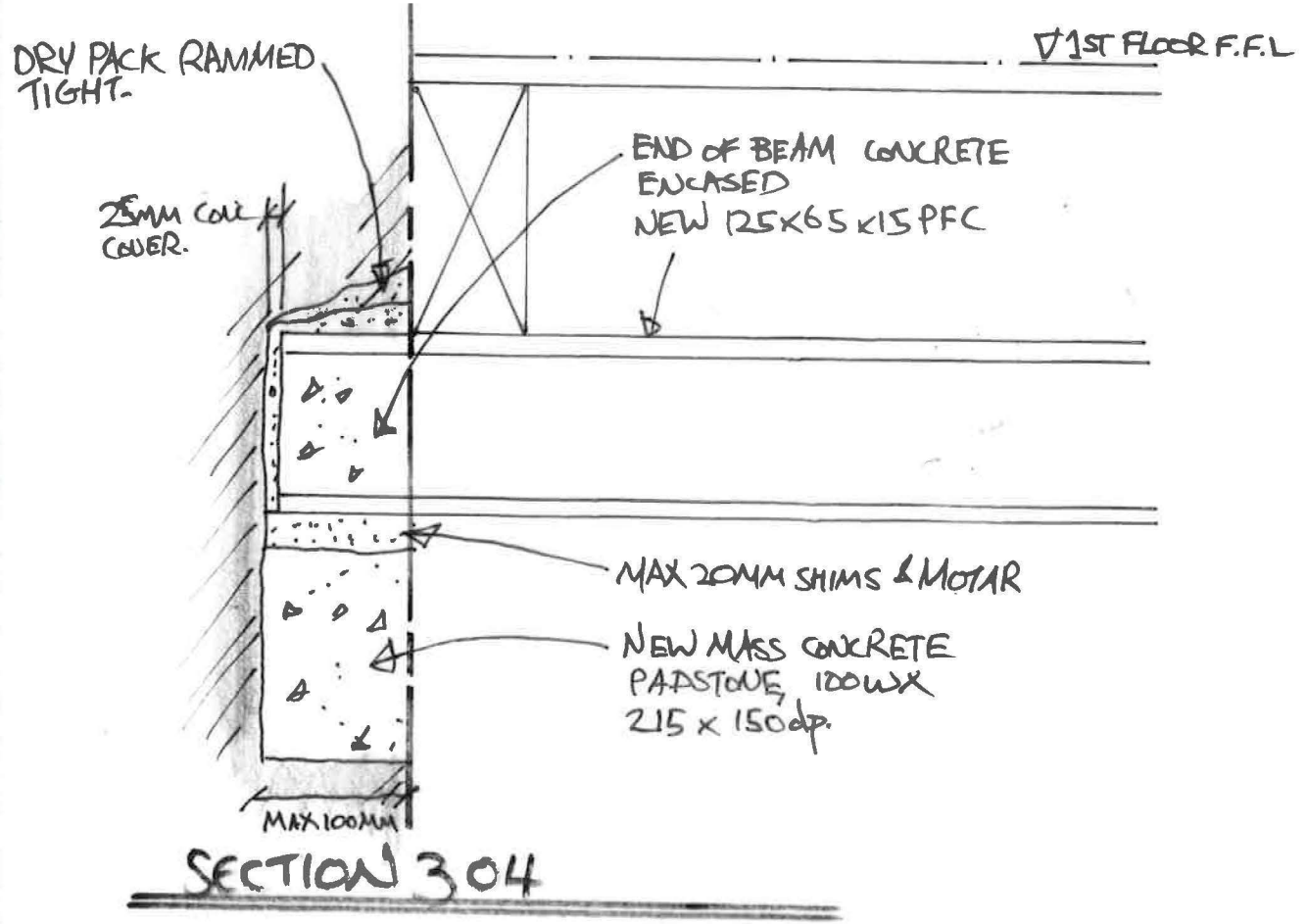
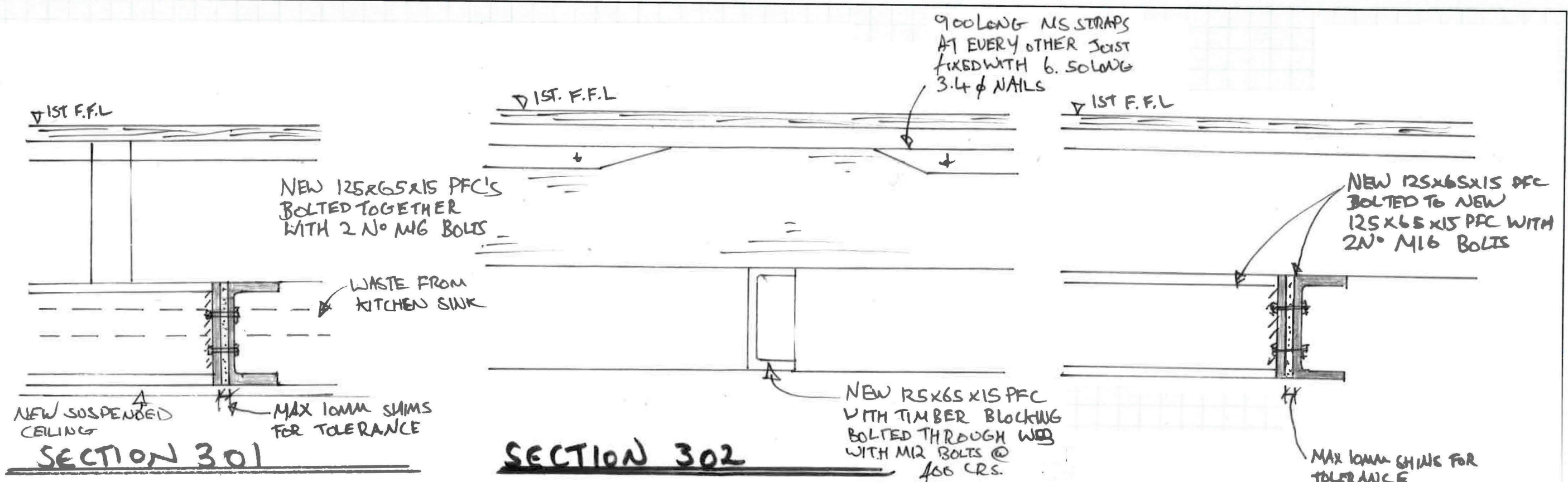
~ scale 1:5 @ A3



SECTION 202

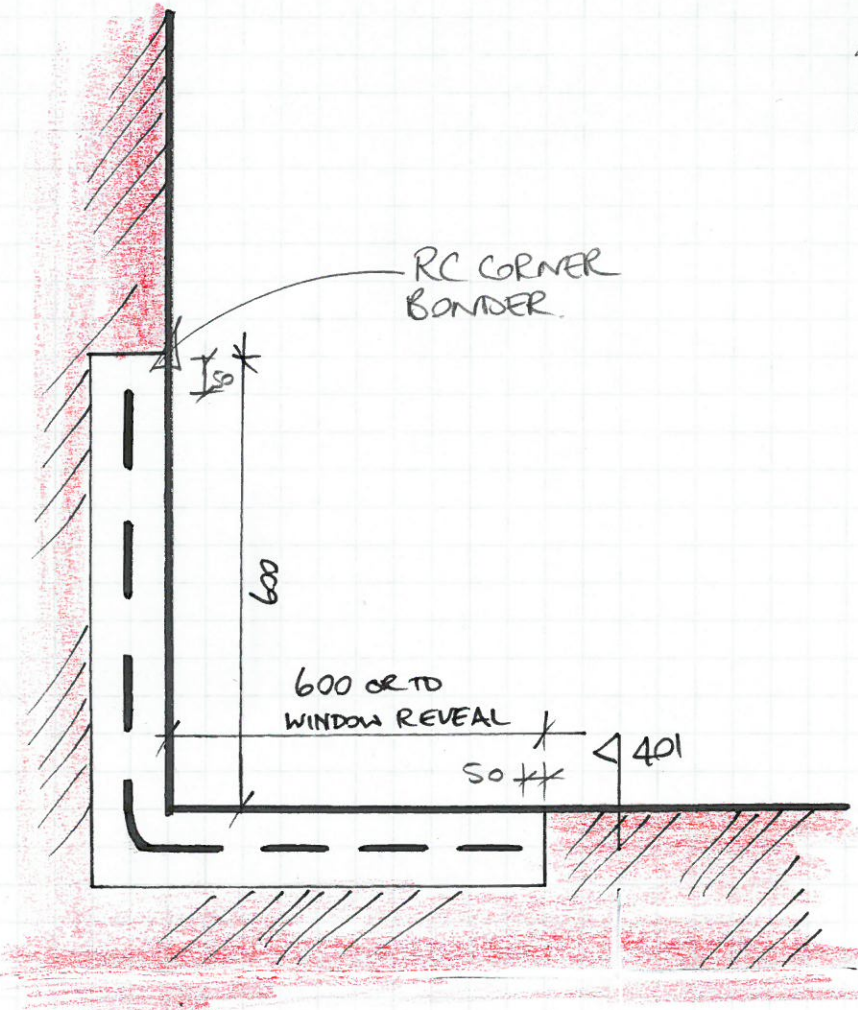
~ scale 1:10 @ A3

GROUND FLOOR



Rev 2A. DISCUSSION WITH NICK BARTER (CONSERVATION OFFICER) DATE 25/9
 AGREED TO POSITION STEELS UNDER EXISTING TIMBER FLOOR (INSTEAD OF WITHIN IT) IN A SUSPENDED CEILING BELOW.
 THIS ALSO TAKES THE KITCHEN SINK DRAINAGE

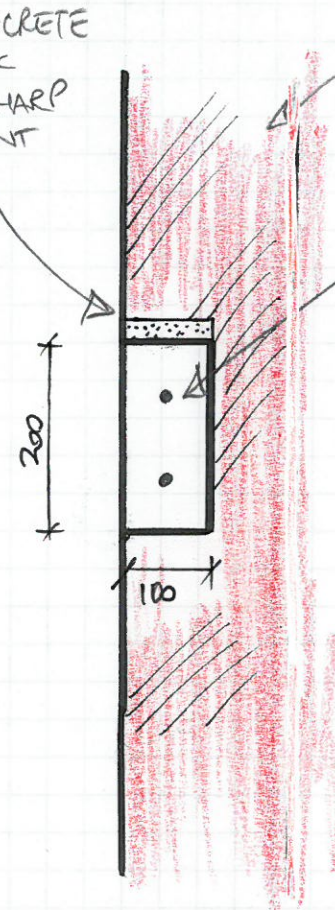
All-scale - 1:5 @ A3



PLAN DETAIL 41

Scale 1:10 @ A3

DRYPACK BETWEEN CONCRETE & BRICKWORK WITH 1:3 SHARP SAND: CEMENT



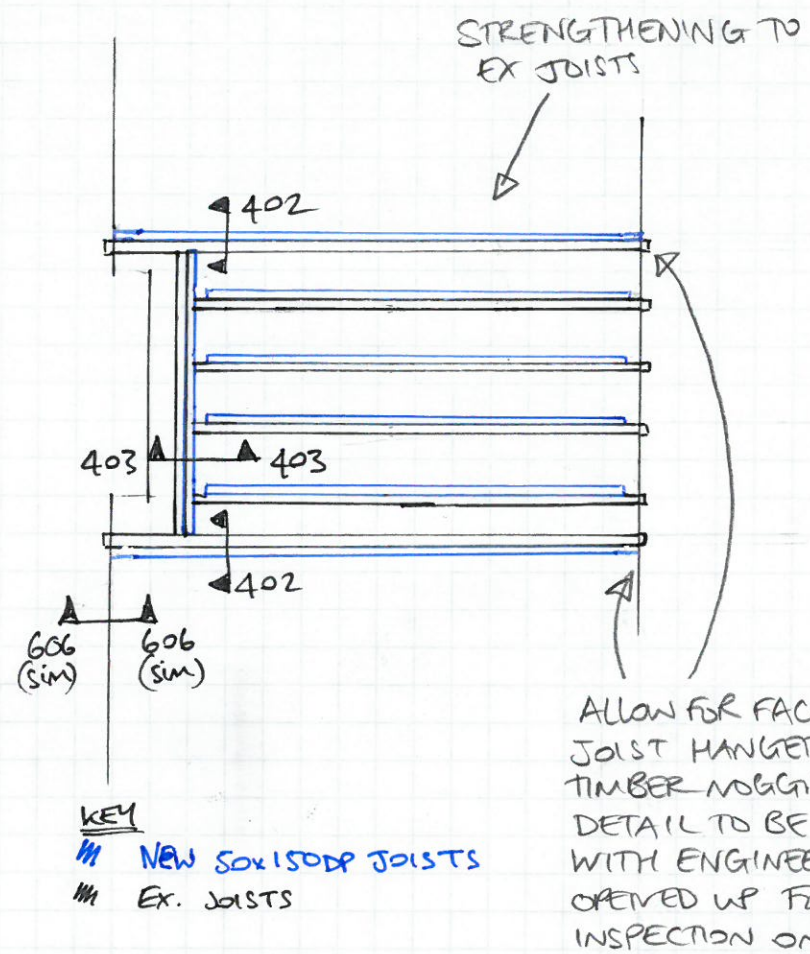
CONCRETE BONDING ANGLE IN 1:2:4 CONCRETE WITH 2N^o 12 ϕ MS BARS, 1 TOP & 1 BOTTOM, 1100 MM LONG BENT TO A RIGHT ANGLE IN THE MIDDLE WITH 25MM COVER ALL ROUND

TO BE INSTALLED AT THIRD POINTS ON SECOND & THIRD FLOORS

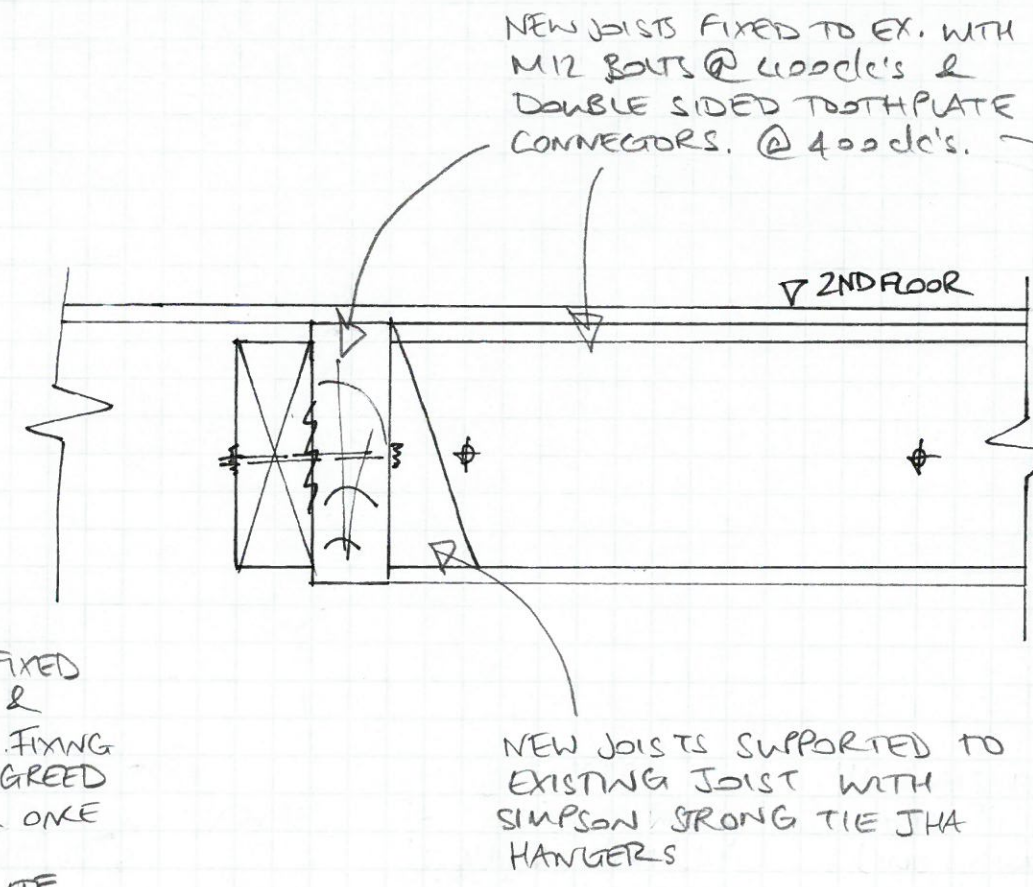
SECTION 401

Scale 1:10 @ A3

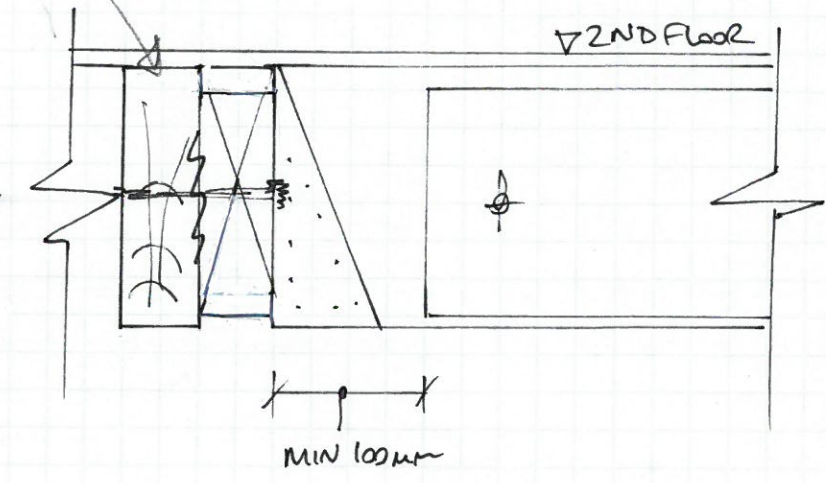
SECOND & THIRD FLOOR



PLAN DETAIL 42
~ scale 1:50 @ A3



SECTION 402
scale 1:5 @ A3



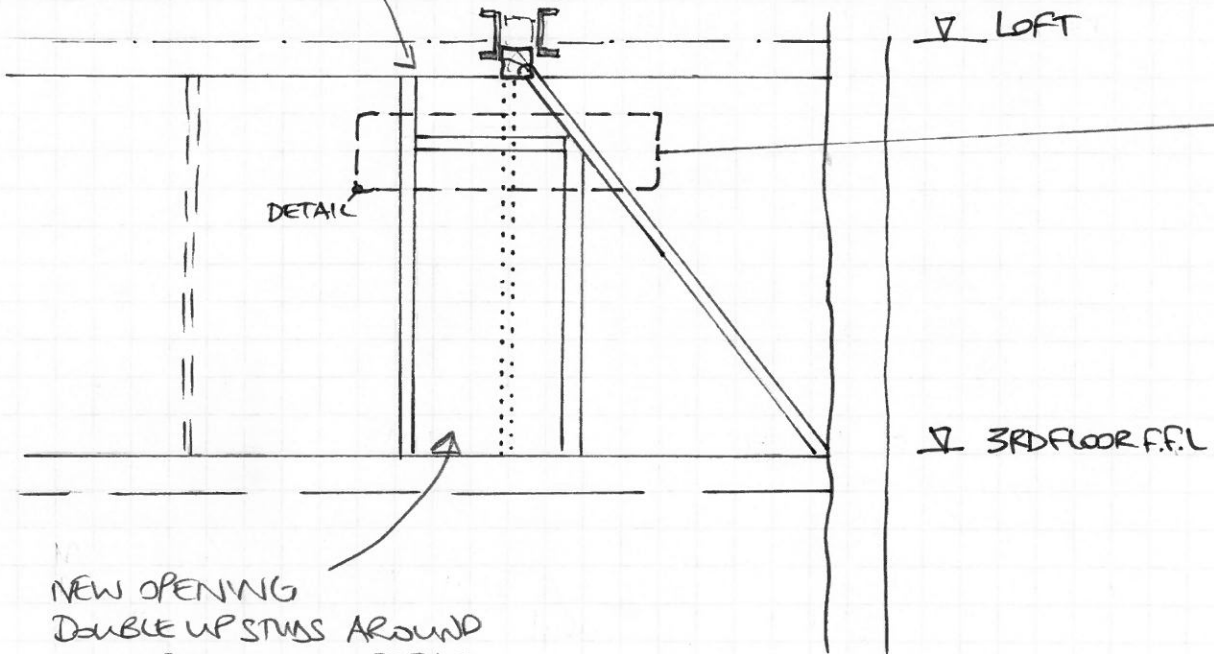
SECTION 403
scale 1:5 @ A3

SECOND FLOOR

(GEOMETRY ASSUMED)

NEW TIMBER STUDS TO BE FIXED TO EX. TIMBER

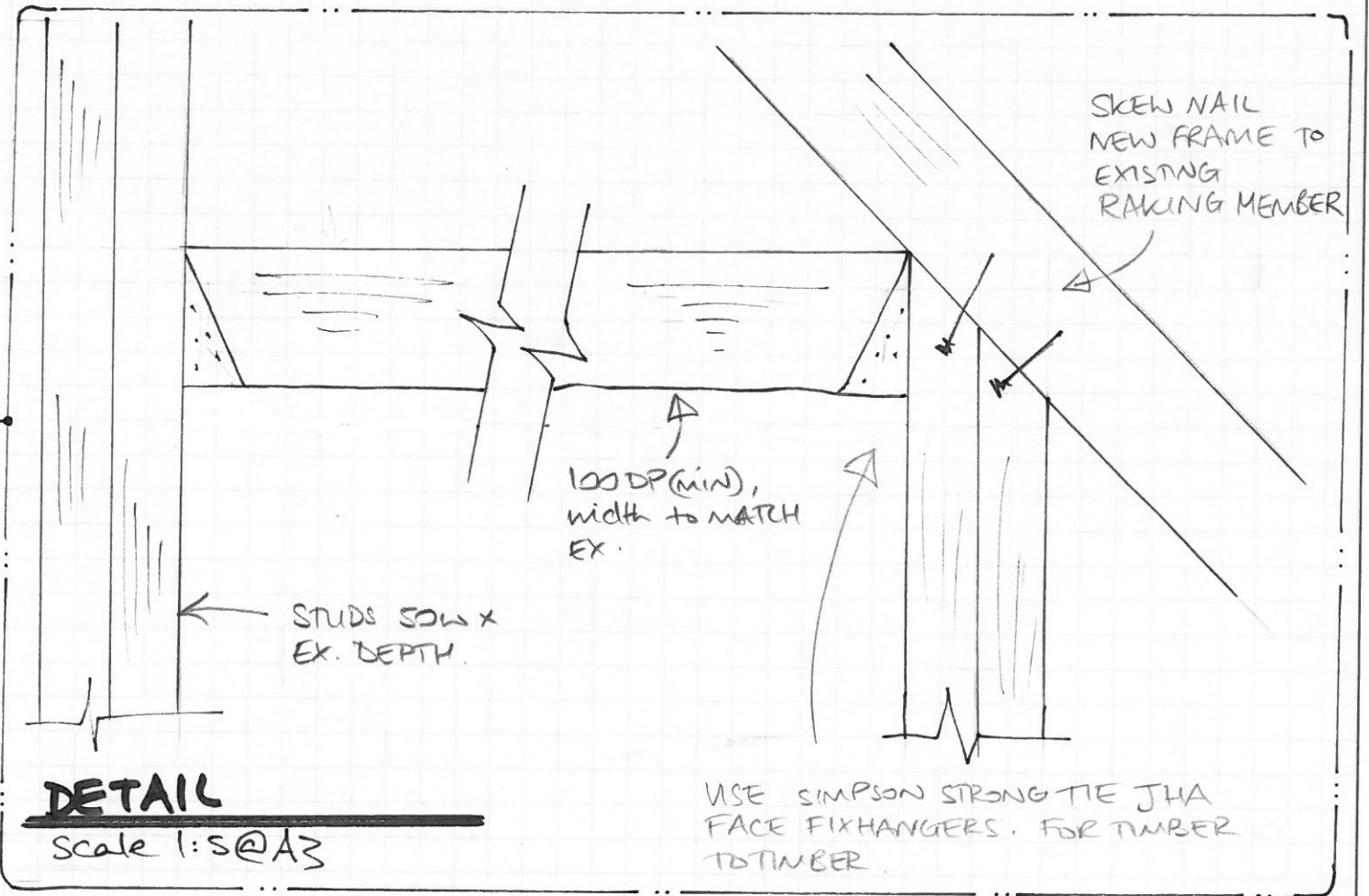
STEELWORK TO BE INSTALLED TO SUPPORT EX. TIMBER BEAM PRIOR TO OPENING BEING FORMED



NEW OPENING DOUBLE UP STUDS AROUND NEW OPENING. DEPTH TO MATCH EXISTING.

SECTION S01

NTS



SKREW NAIL NEW FRAME TO EXISTING RAKING MEMBER

100DP (min), width to MATCH EX.

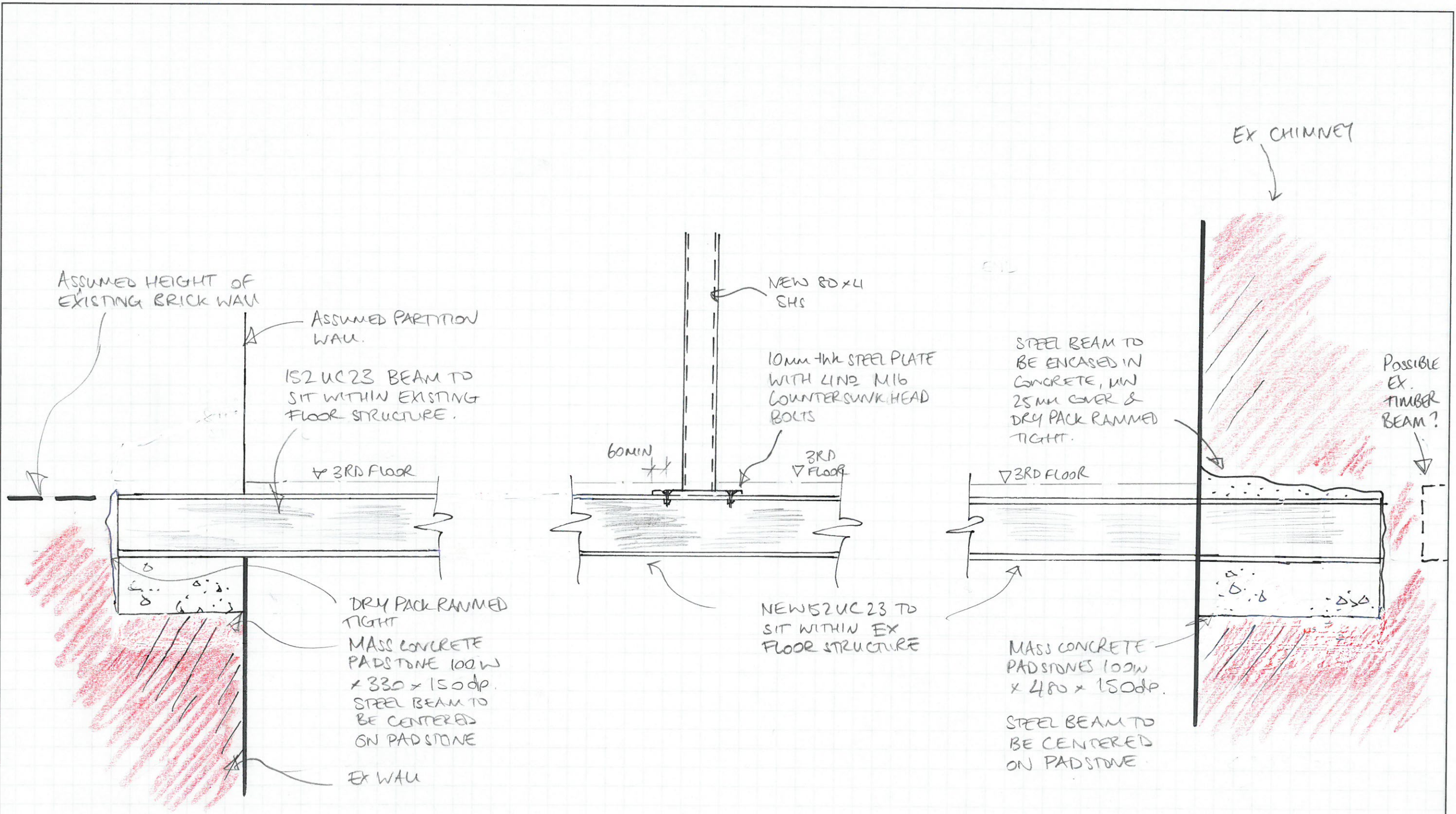
STUDS 50W X EX. DEPTH.

DETAIL

Scale 1:5 @ A3

USE SIMPSON STRONG-TIE JHA FACE FIXHANGERS. FOR TIMBER TO TIMBER.

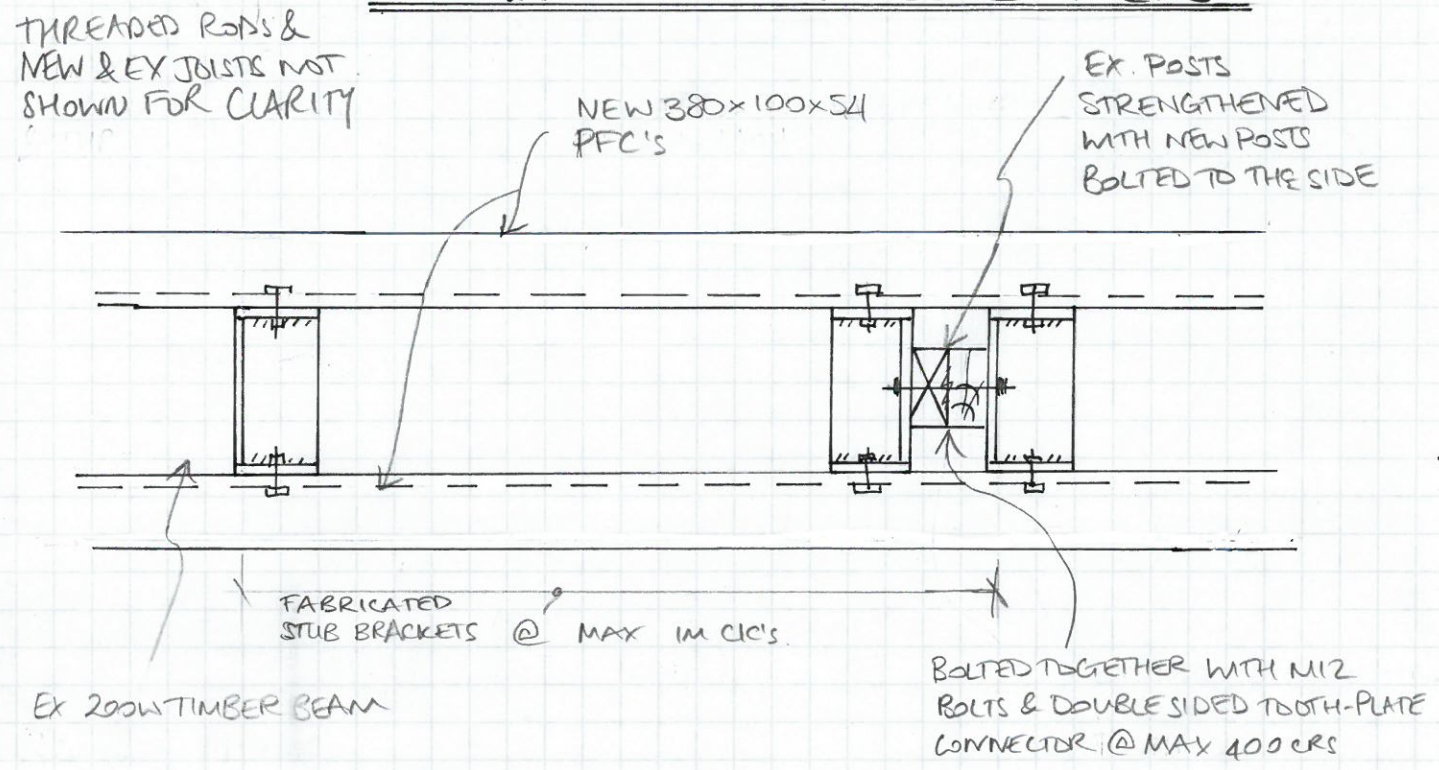
THIRD FLOOR



SECTION 502

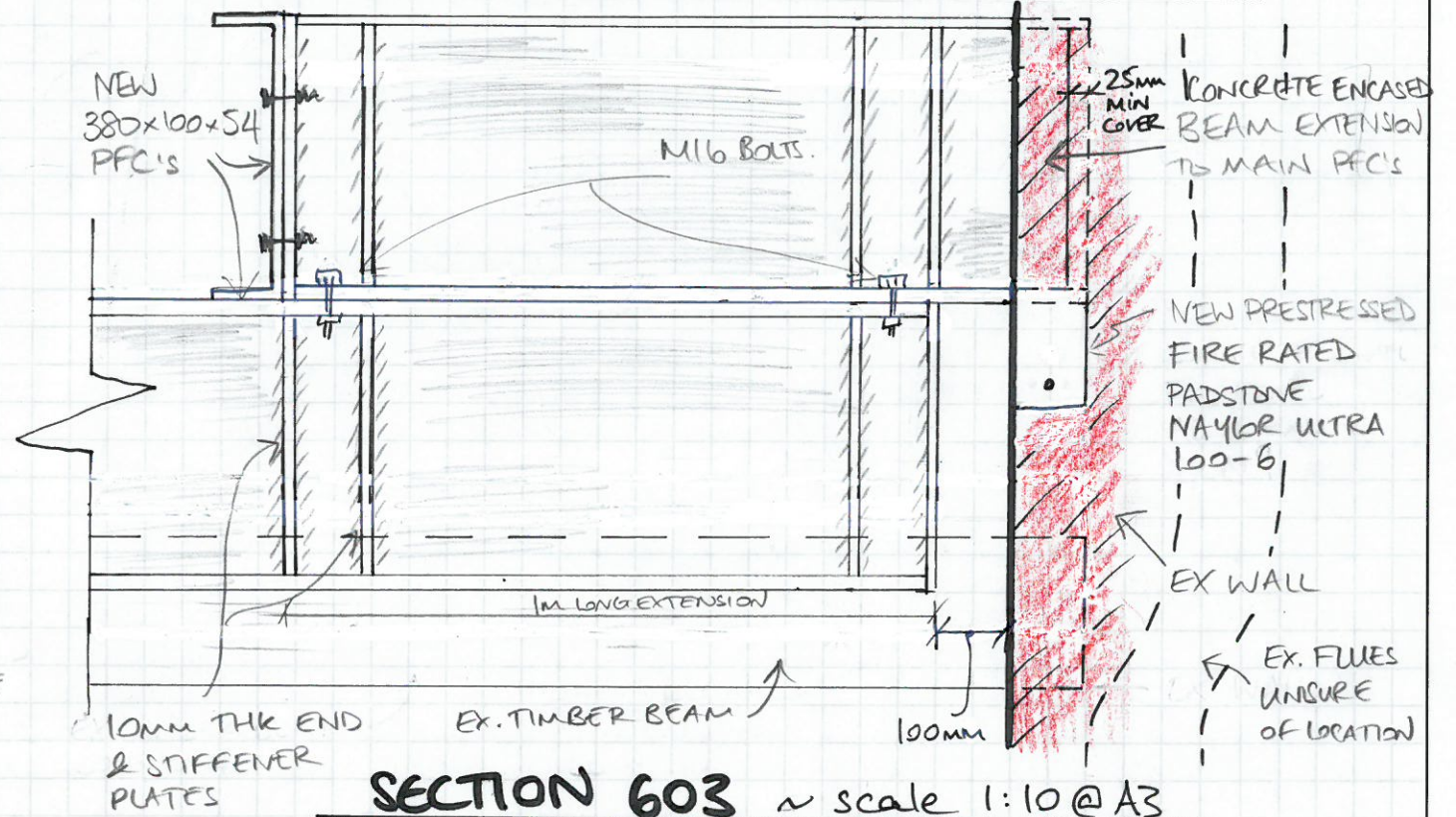
Scale 1:10 @ A3

PLAN DETAIL 61 ~ scale 1:10 @ A3

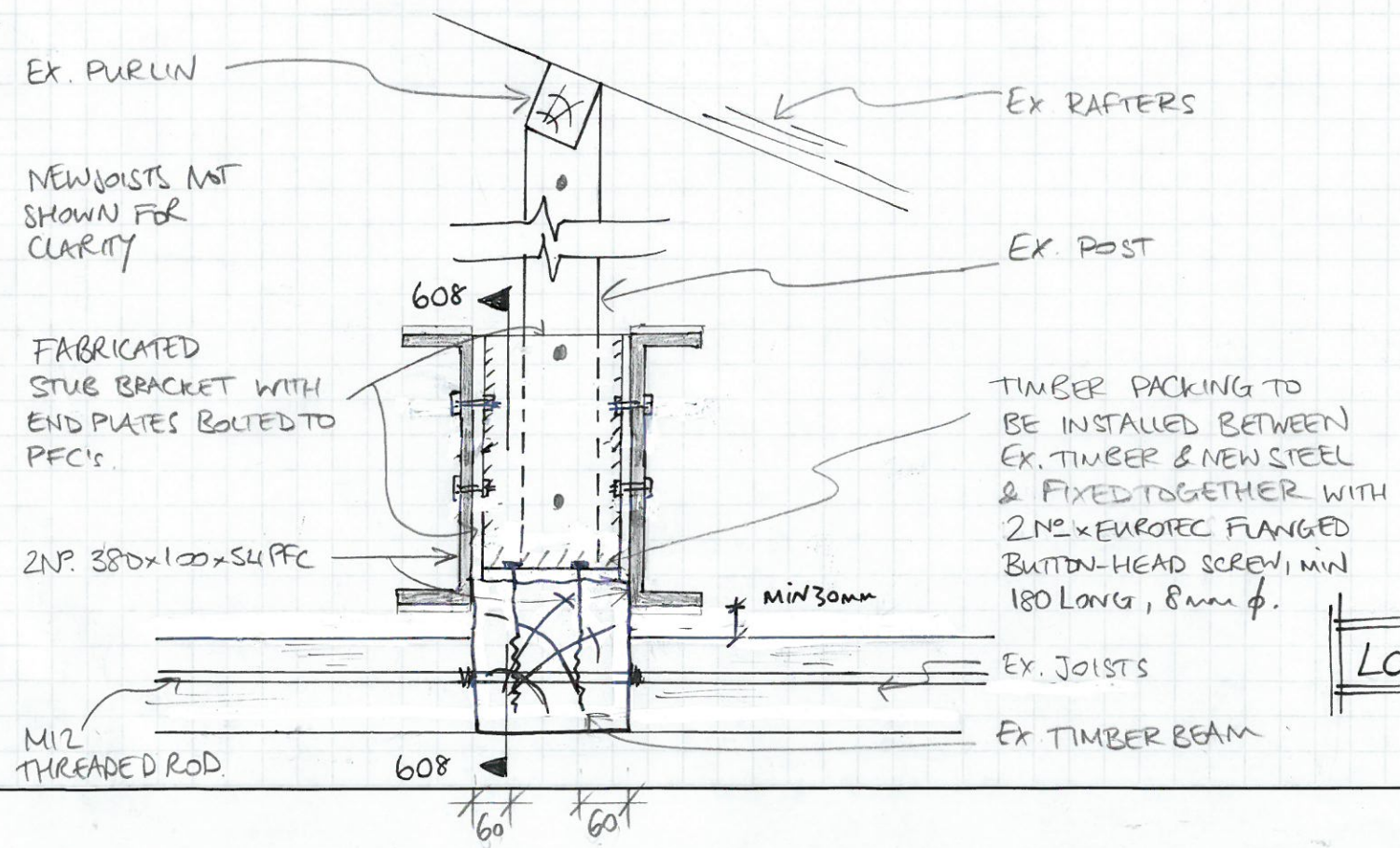


613

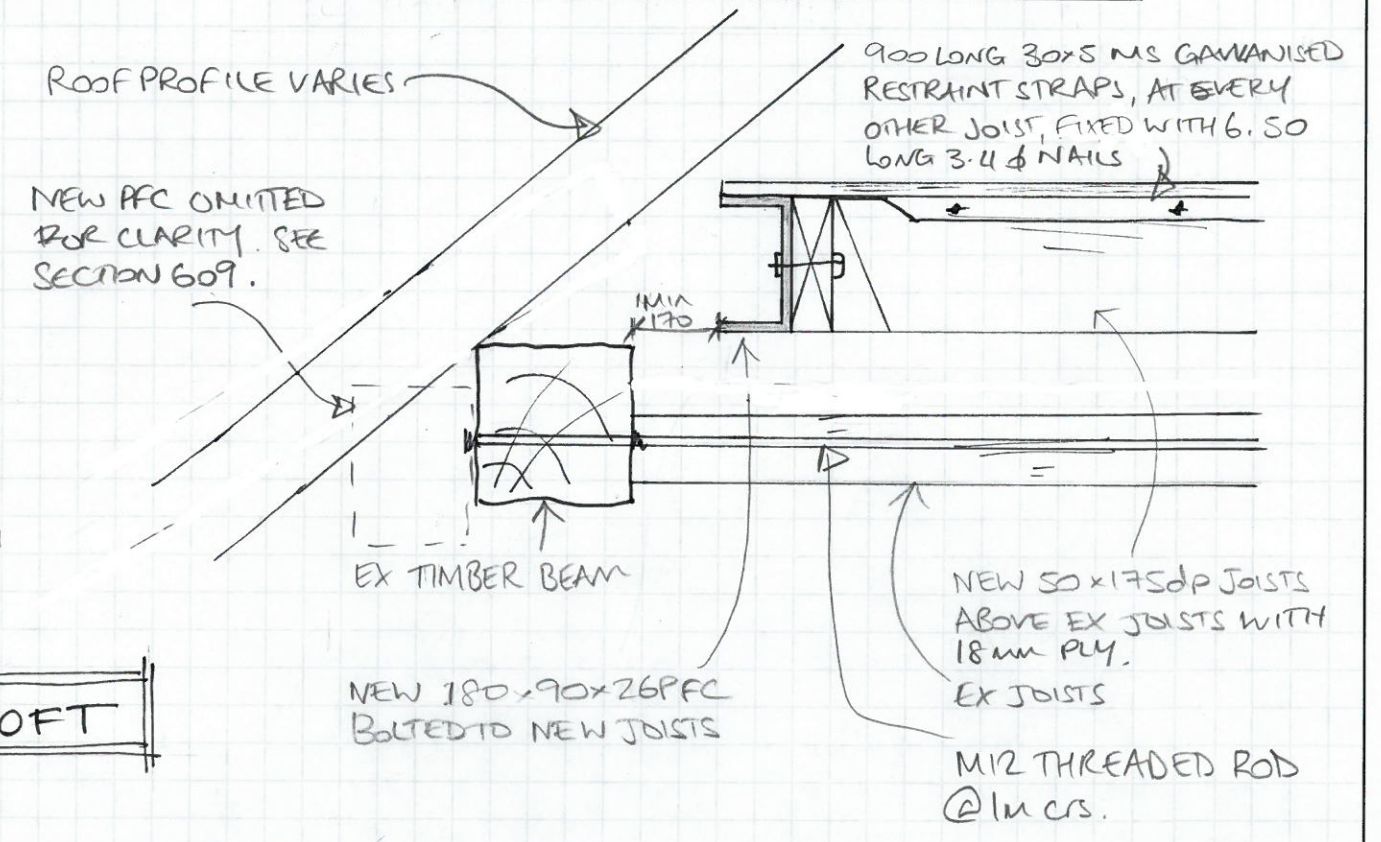
SECTION 602 ~ scale 1:10 @ A3

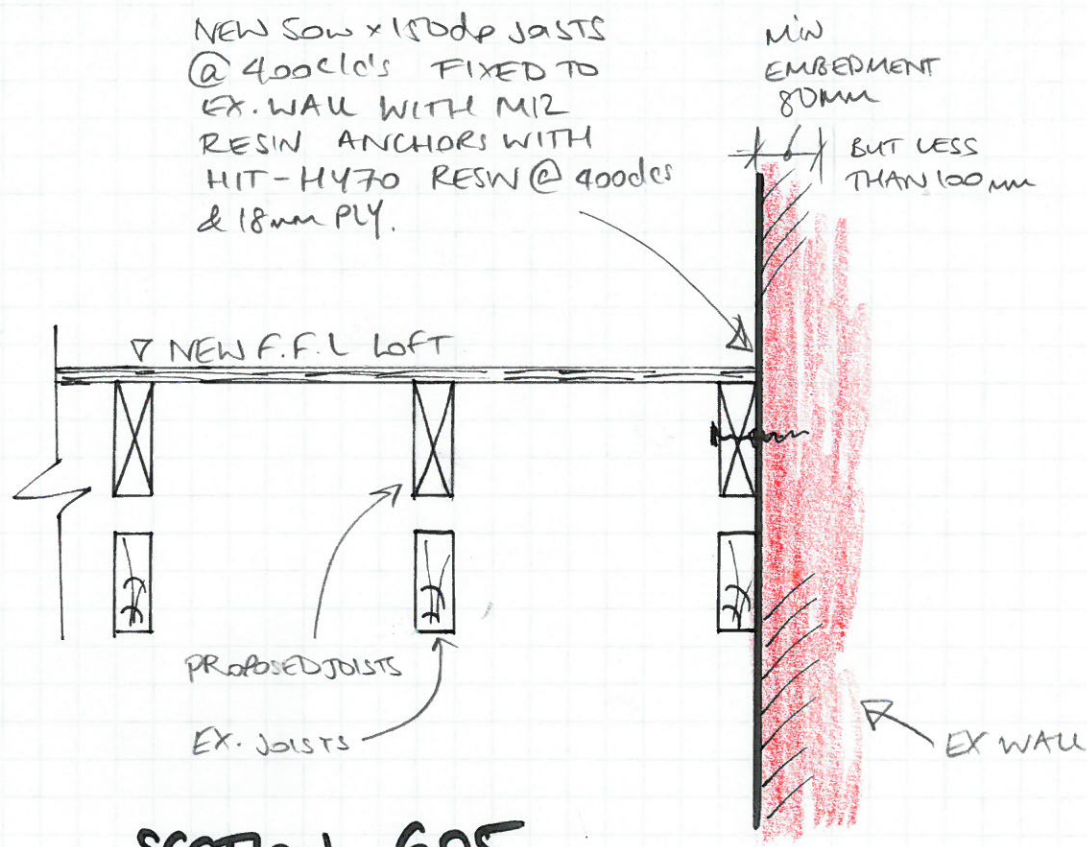


SECTION 601 ~ scale 1:10 @ A3



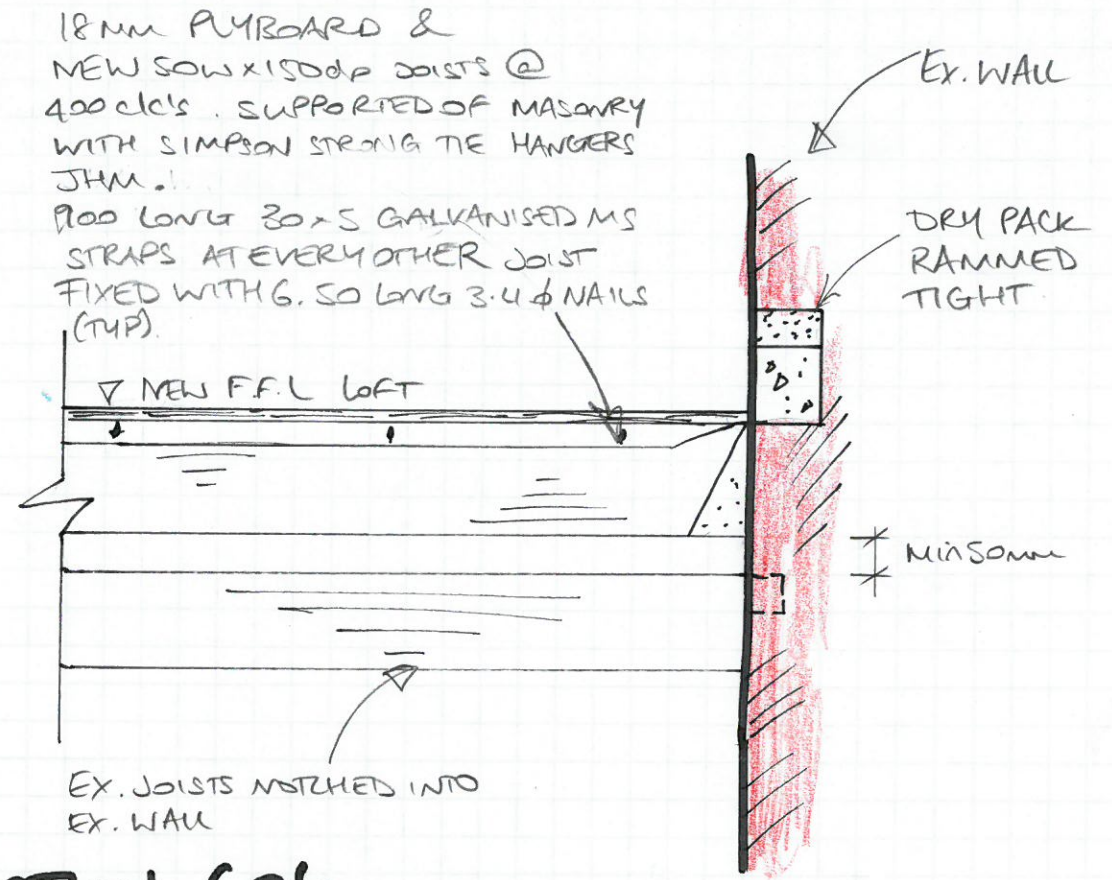
SECTION 603 ~ scale 1:10 @ A3





SECTION 605

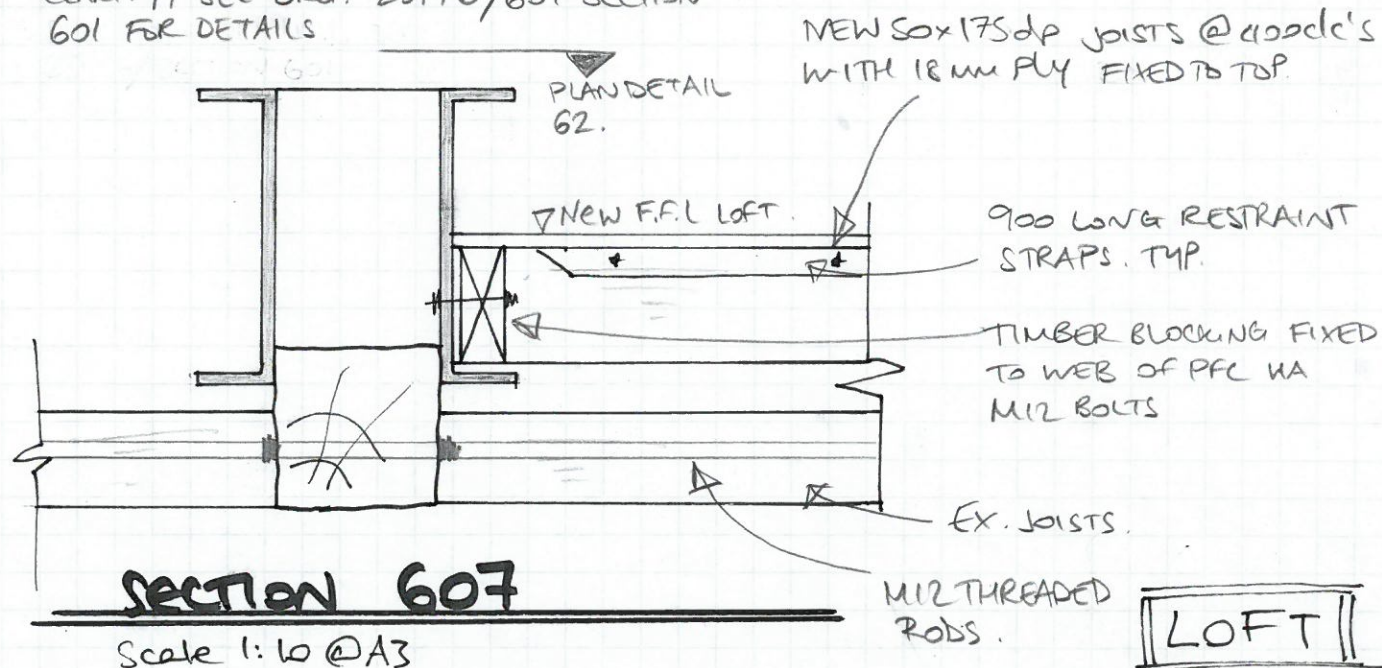
Scale 1:10 @ A3



SECTION 606

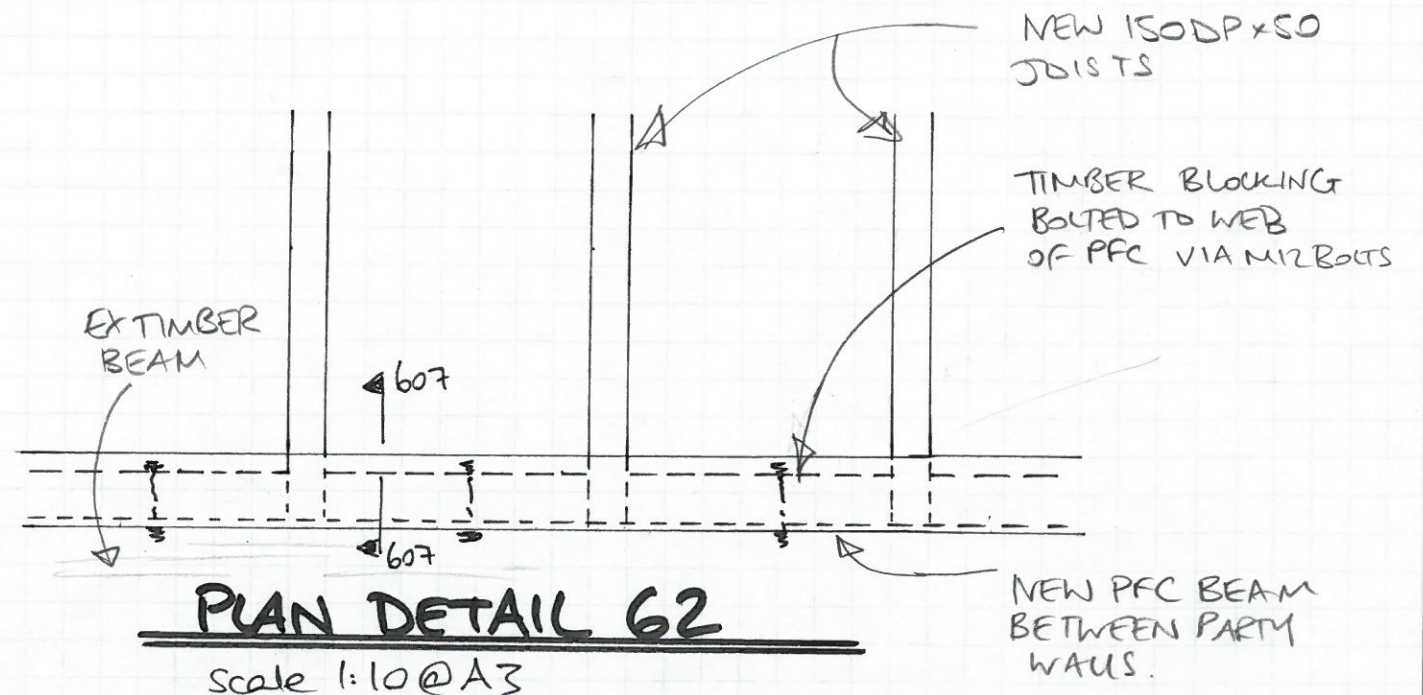
Scale 1:10 @ A3

STEEL BEAM FIXINGS NOT SHOWN FOR CLARITY, SEE DRG. 23776/601 SECTION 601 FOR DETAILS.



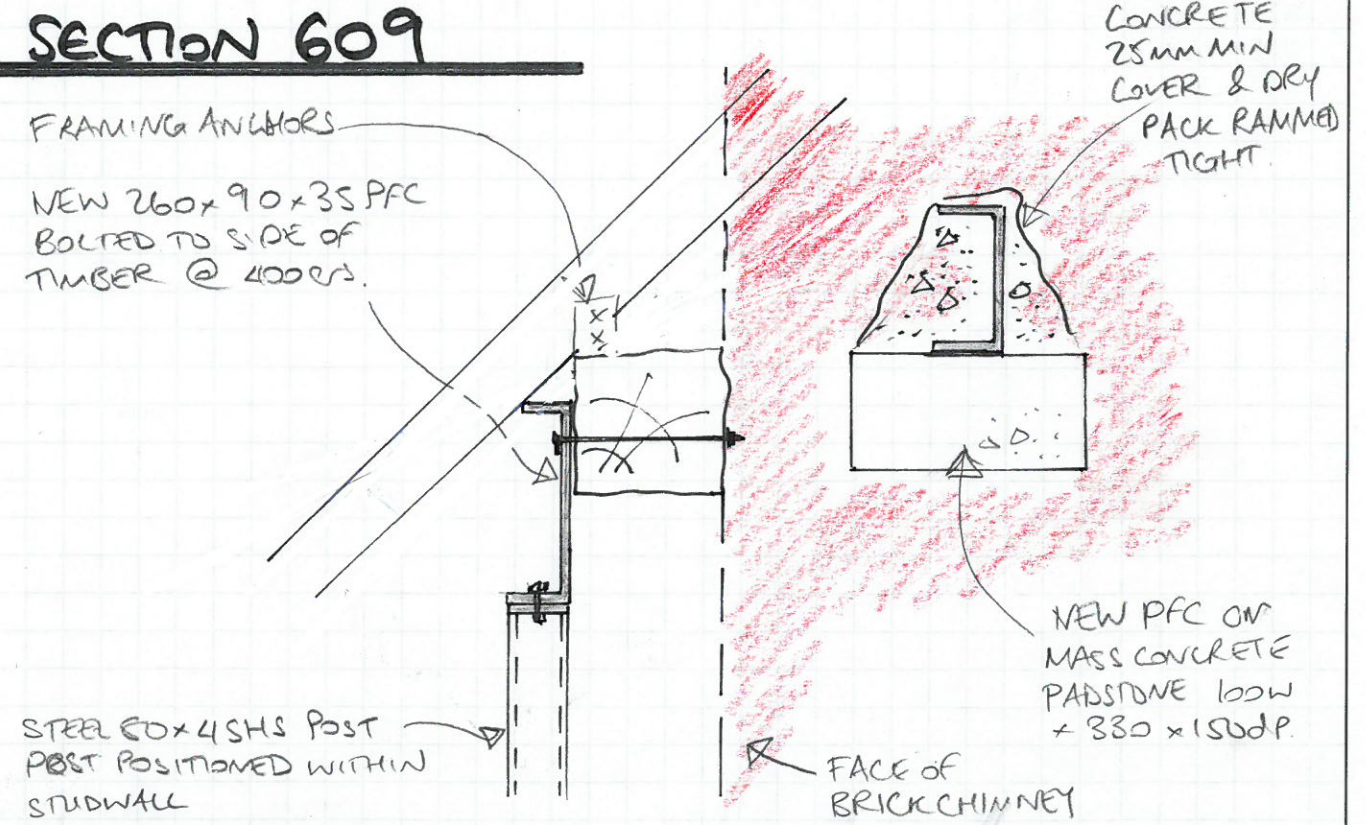
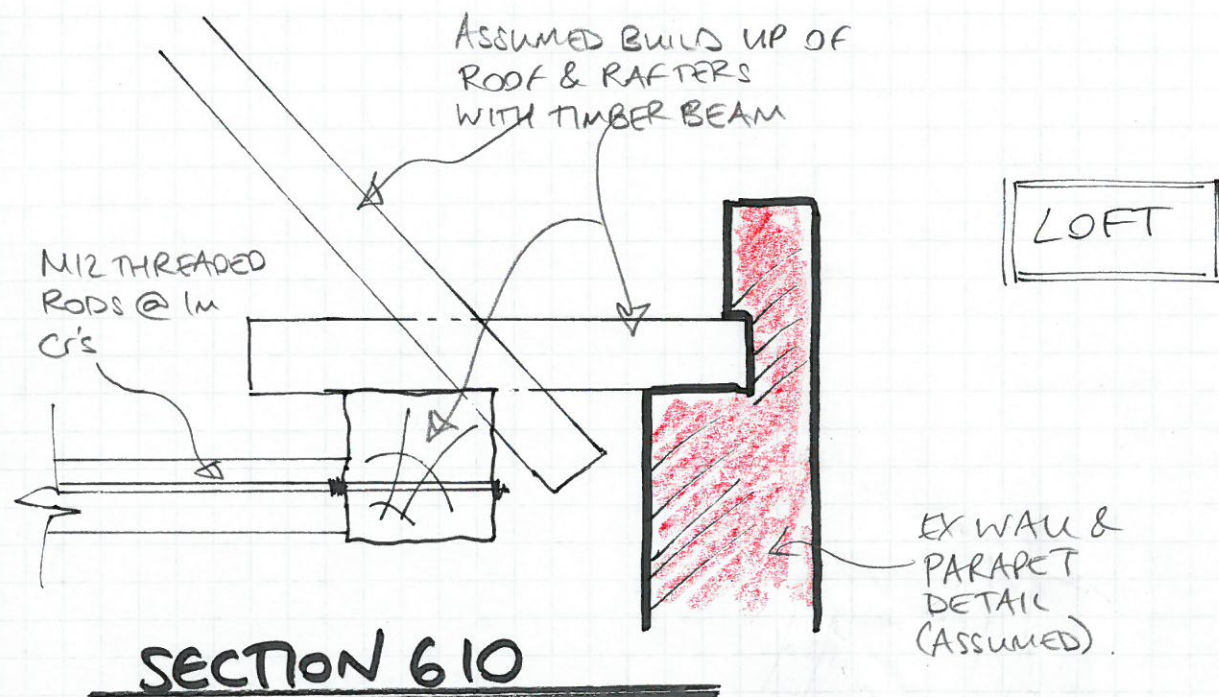
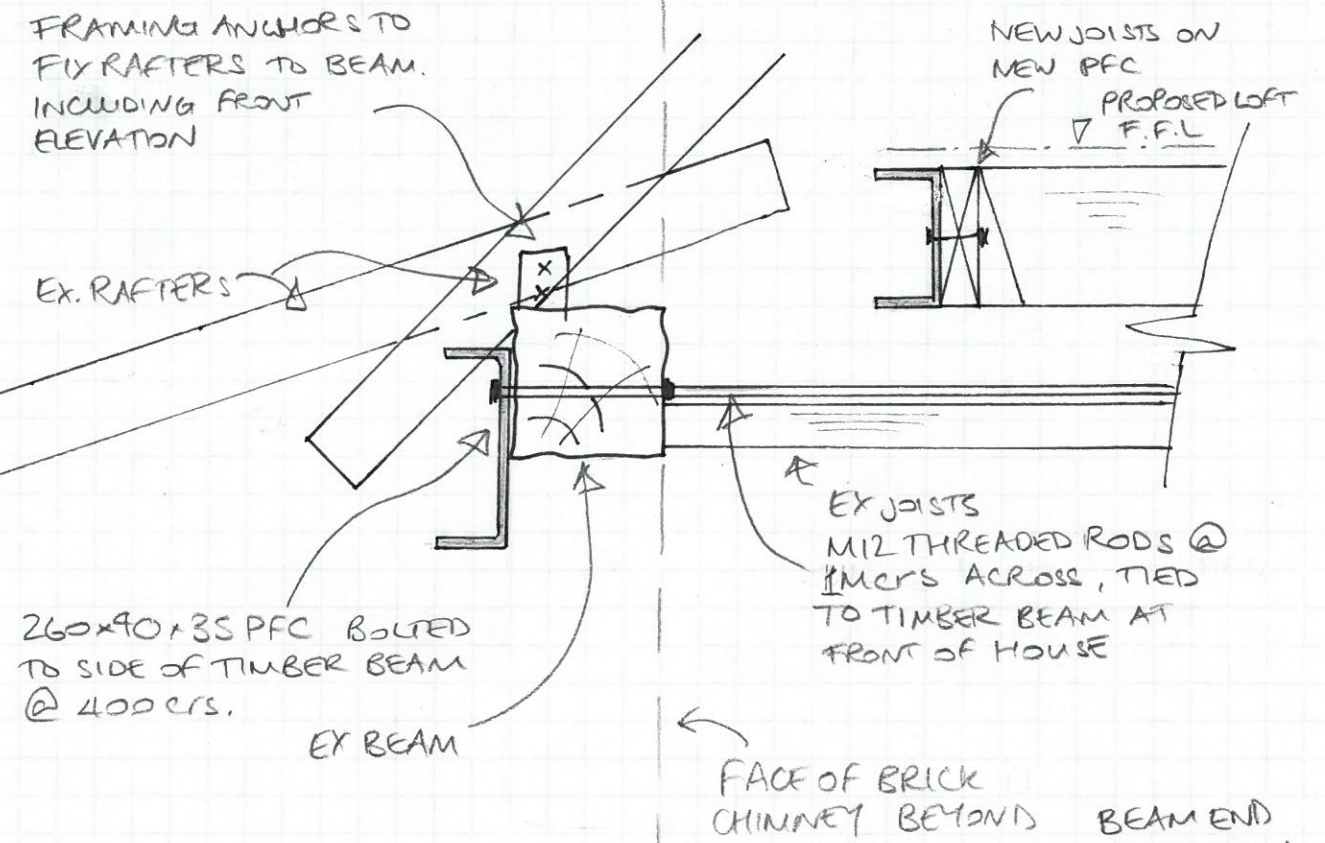
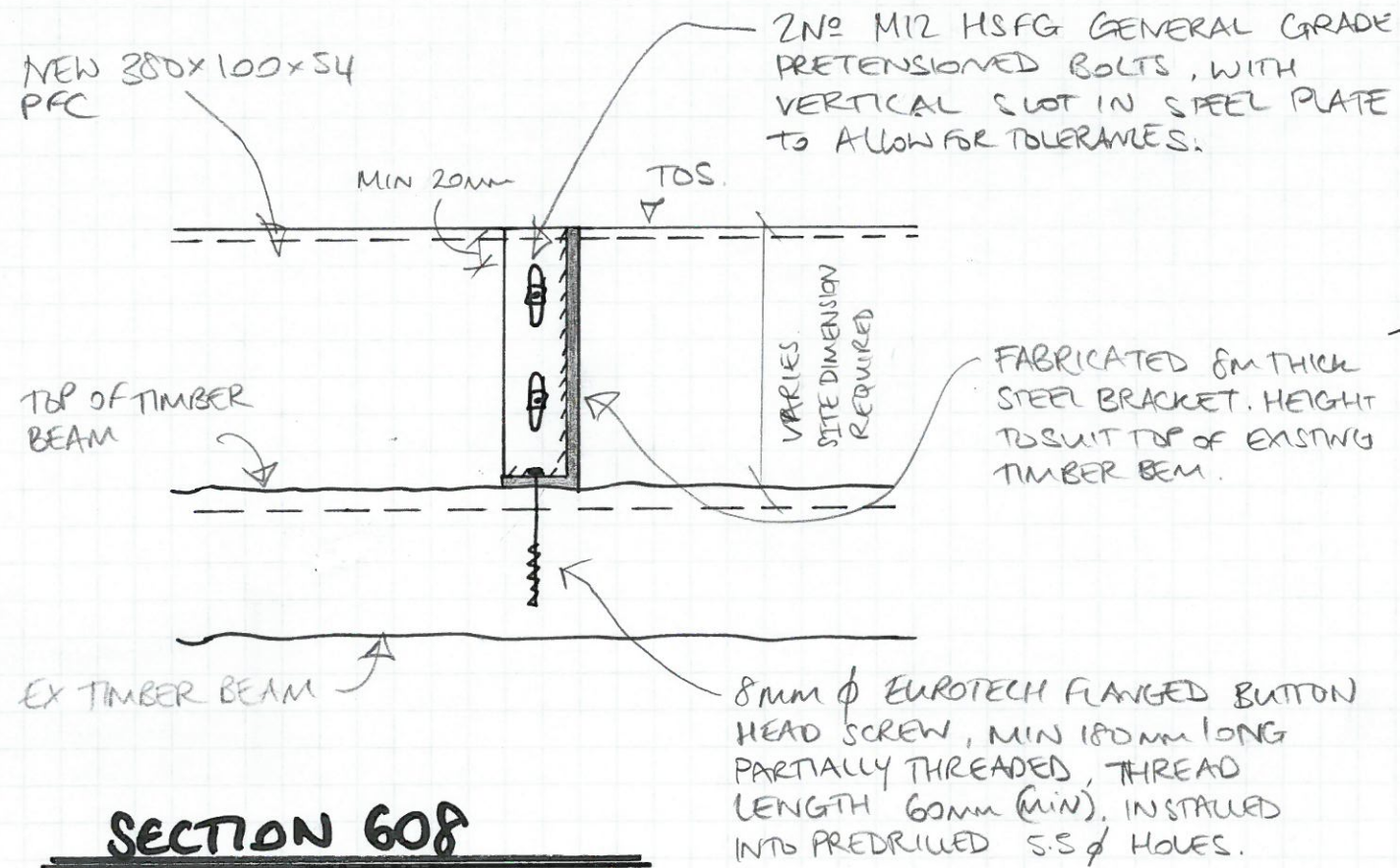
SECTION 607

Scale 1:10 @ A3

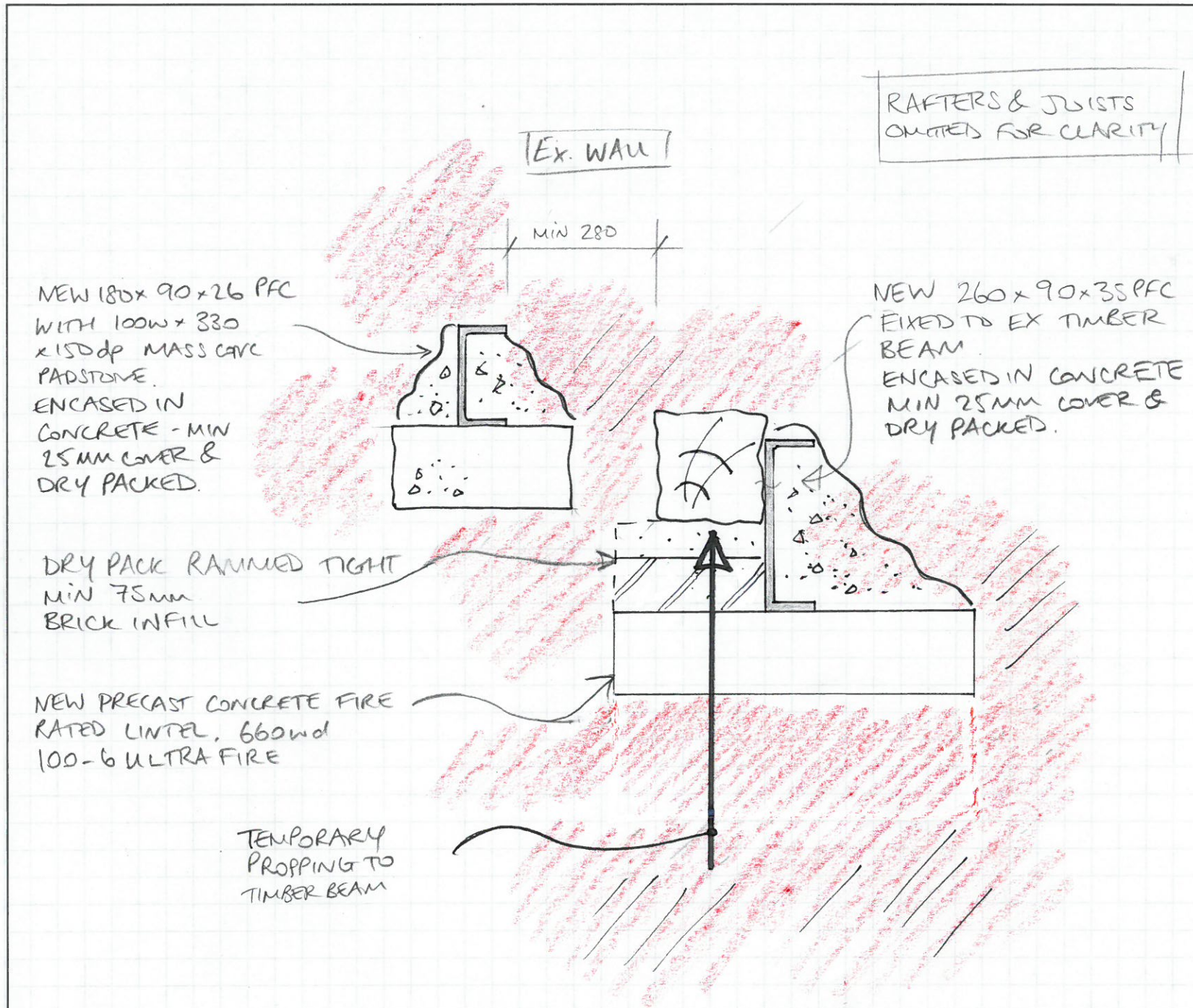


PLAN DETAIL 62

Scale 1:10 @ A3

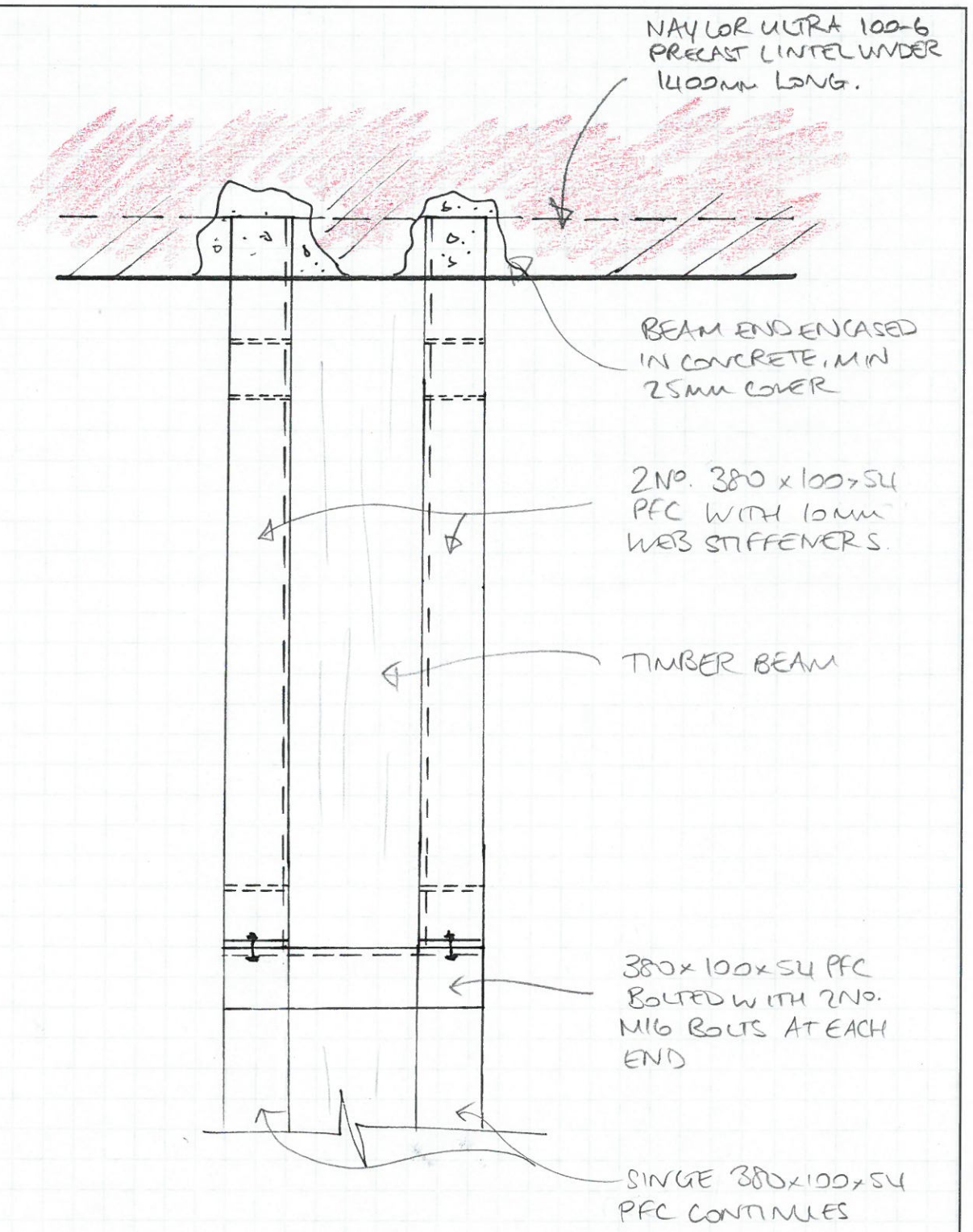


All scale 1:10 @ A3



SECTION 612

~ Scale 1:10 @ A3



SECTION 613.

Scale 1:10 @ A3