

EASY TIGER CREATIVE

Design and Access Statement for small works proposed for Keats House, 11 September 2015

Statement produced by;
Nicholas Bernard, Director
Easy Tiger Creative Ltd
37-38 Greenwich Market
London
SE10 9HZ

In respect of:
First floor Gallery Area
Keats House, Keats Grove
Hampstead
London
NW3 2RR

On behalf of:
Vicky Carroll, Principal Curator
Keats House, Keats Grove
Hampstead
London
NW3 2RR

It is proposed to improve the first floor Gallery Area by the addition of a picture rail and a lighting track with removable and directional spot lights.

The Gallery Area is an area of 8.9 sqm located immediately to your right at the top of the stairs on the first floor of Keats House. Please see attached - Keats House, First Floor Plan and Photos.

The Gallery Area is used as a location for temporary displays - these displays tend to be drawing, painting and/ or photographic displays showcasing the work of local artists as well as Keats themed displays.

The largest surface within the Gallery Area is the partition wall of the space, separating it from Fanny Brawne's bedroom, as such it is desired to be able to use the partition to display artworks. This partition wall area is of a timber frame construction.

In order to use the partition wall for temporary displays will require the hanging of different artworks in different locations at different times. In order to prevent unnecessary intervention and potential damage to the partition wall we propose the installation of a picture hanging rail spanning the length of the wall.

We propose that the rail be secured through the plaster to the existing studs within the wall. Please see attached drawing - Keats House, Picture Rail.

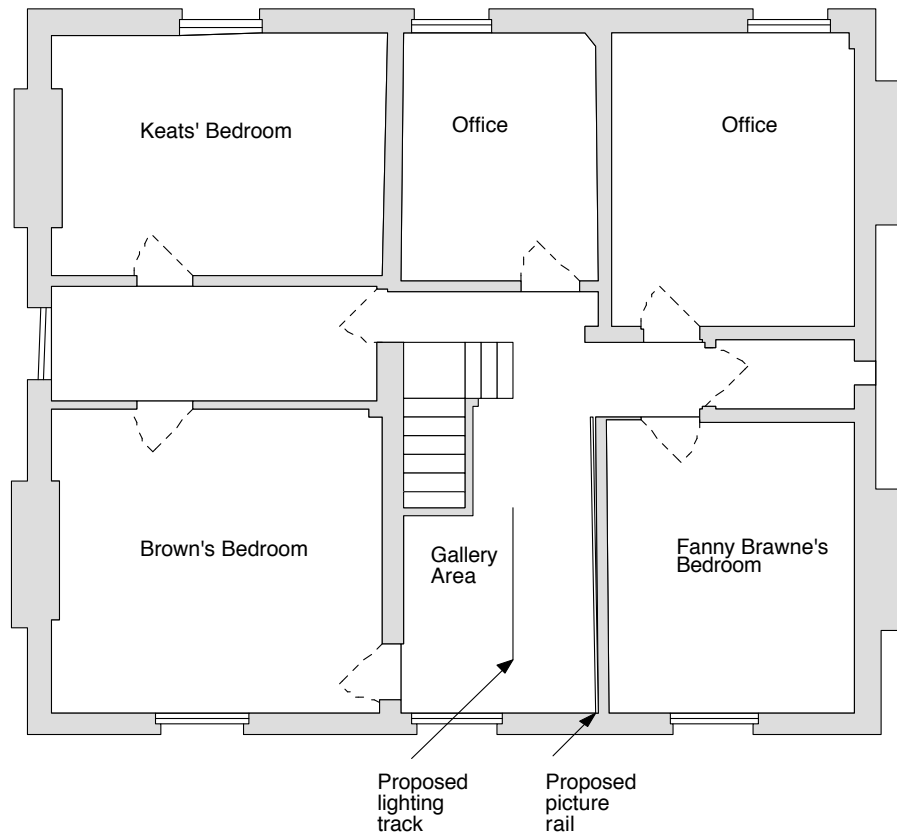
With regard to the lighting required for changing displays we propose a single track with removable, dimmable and directional spot lights. This is so that the lighting can be varied as required by the quantity and nature of artworks being displayed.

We propose a single 2m length of 240 v track - Basis 7511\240V.

The lights we propose are Basis B910.SD.000.10 self dim. Please see attached - Keats House, Proposed Lighting for Gallery Area.

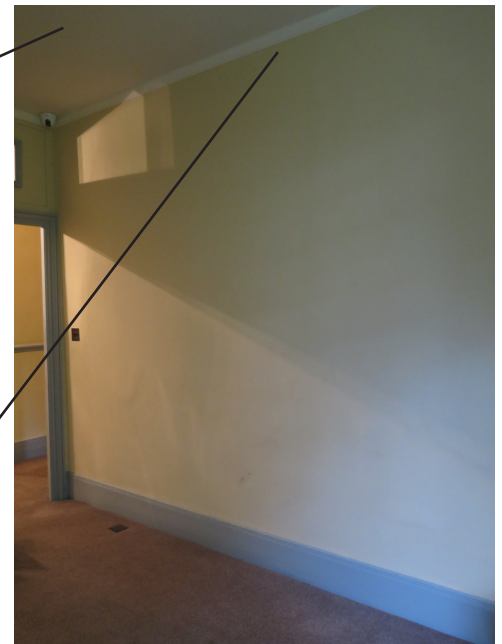
The track would be secured in through the ceiling and into the existing joist, as well as to additional noggins between the joists as required.

Keats House, First Floor Plan and Photos

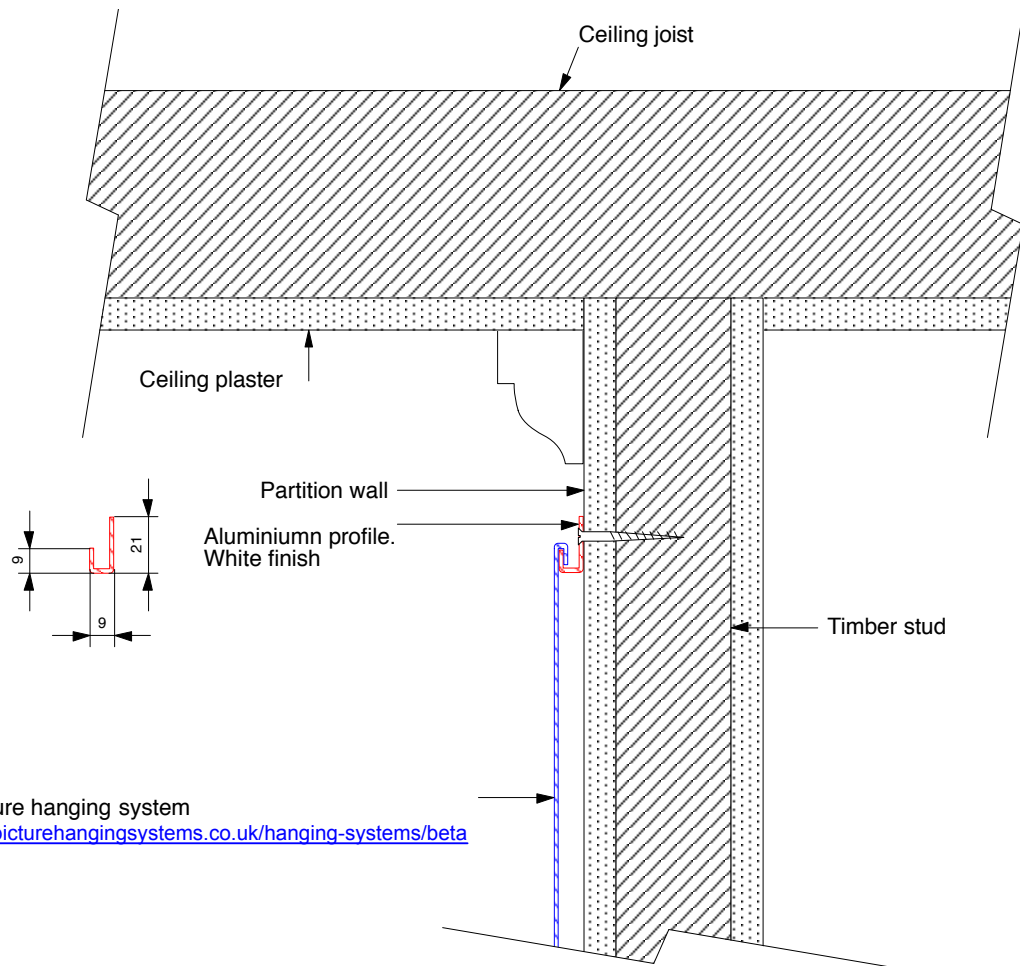


Proposed location of lighting track

Proposed location of Picture rail



Keats House, Picture Rail and stud partition wall



Gallery picture hanging system
<https://www.picturehangingsystems.co.uk/hanging-systems/beta>

Keats House, Picture Rail and stud partition wall - elevation

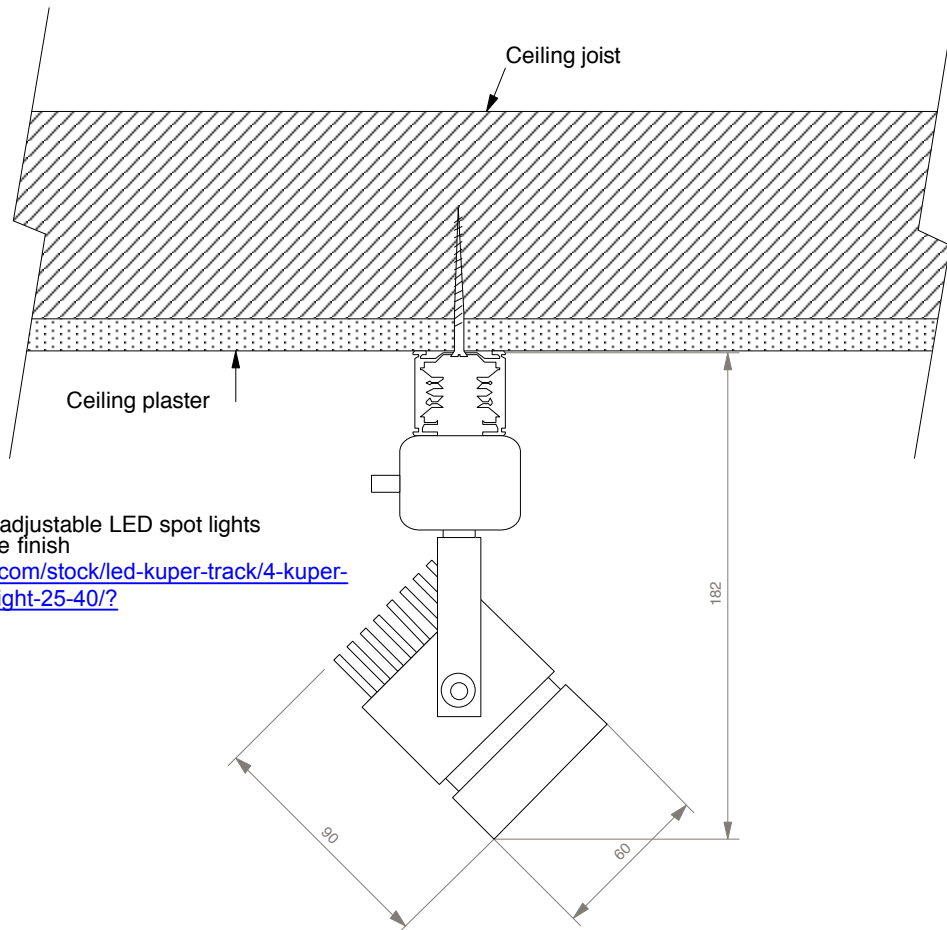


Keats House, Picture Rail system

<https://www.picturehangingsystems.co.uk/>

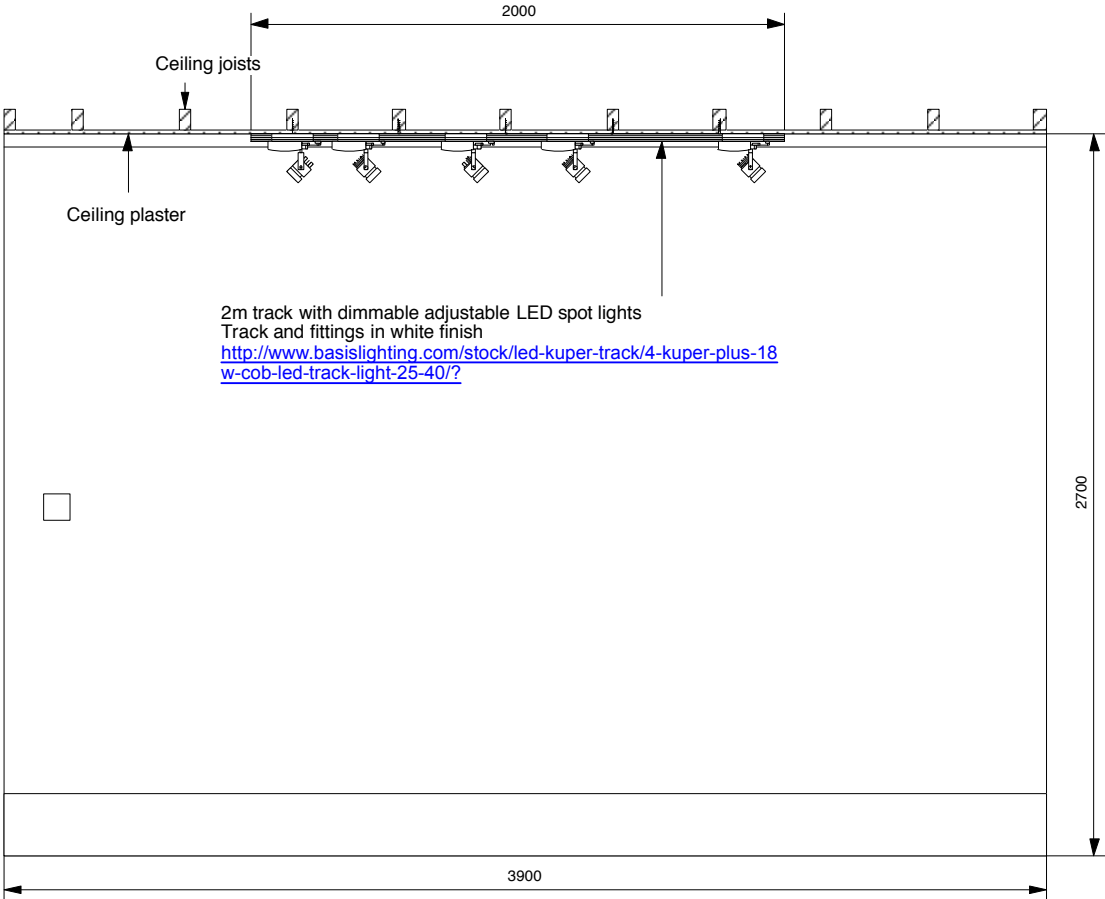


Keats House, lighting track and ceiling joist



2m track with dimmable adjustable LED spot lights
Track and fittings in white finish
<http://www.basislighting.com/stock/led-kuper-track/4-kuper-plus-18w-cob-led-track-light-25-40/>

Keats House, lighting track and ceiling joists - elevation



Keats House, Proposed Lighting for Gallery Area



Self dimming switch, allowing individual control of each spot light

