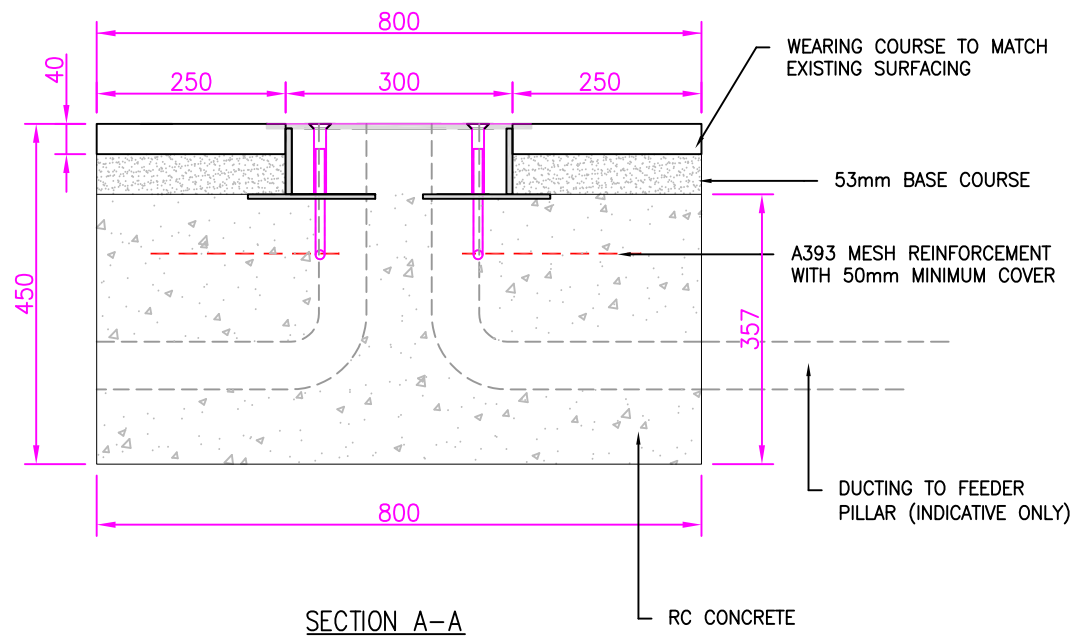
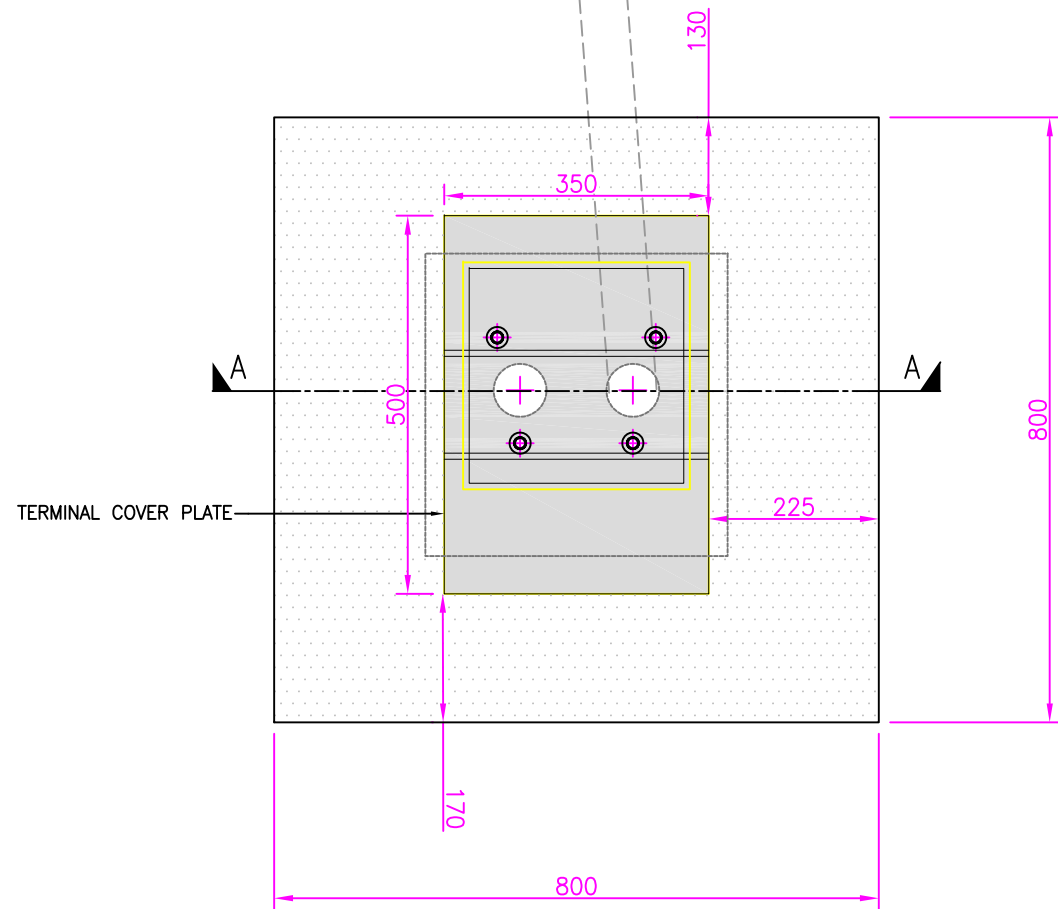
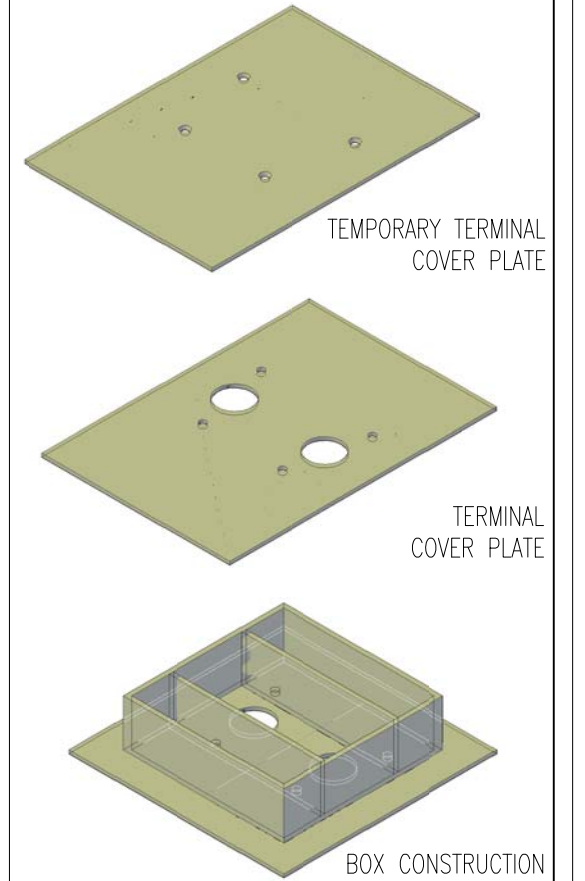


DUCTING TO FEEDER PILLAR (INDICATIVE ONLY)



TERMINAL BOX CONSTRUCTION DETAILS
(SCALE - 1:10)



Surface Transport
Roads Directorate
Traffic Design Engineering
230 Blackfriars Road
London
SE1 8NW



project
SANTANDER CYCLES
drawing title
Standard Terminal Foundation
Carriageway

borough	-
site no.	-
date	22/10/12
scale	1:10 @ A3
drn	AH
chk	DP
app	AS
Dwg N°	TDE-CW-T-PL
status	FOR INFORMATION

Rev	Date	Description	Drn	Chk	App
B	07/05/15	ADDRESS AND LOGO CHANGED	CEP	JJS	DR
A	29/11/12	MINOR AMENDMENTS	JMG	AB	AS