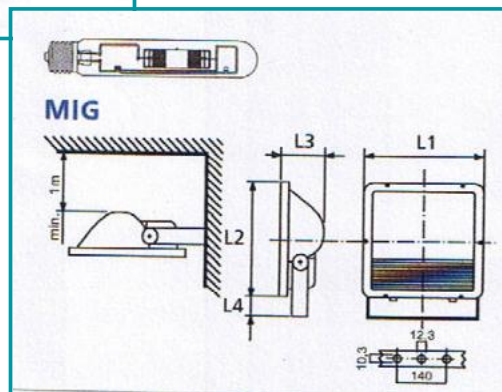




Lighting Information



MIG



FEATURES

- Protective system IP 65
- Solid and functional design
- Diecast aluminium housing and lid with cooling ribs
- Pure aluminium reflector
- With integrated ballast, ignitor and capacitor
- Wind exposed surface
ACT: 0,110 m²; MIG: 0,180 m²

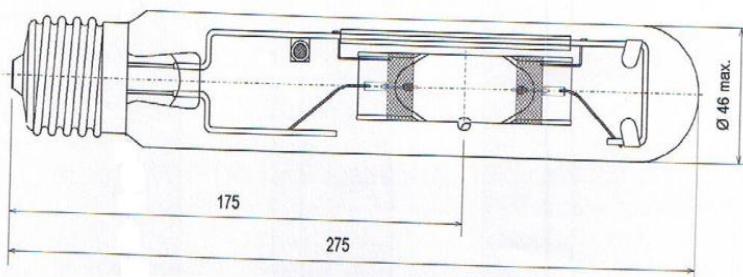
APPLICATION

- Monuments/bridges
- Industrial areas
- Big building sites
- Small sports fields

LIGHT SOURCES

- For ACT: Metal-halide lamps double-ended RX7s and Fc2 (> see BLV catalogue)
- For MIG: Metal-halide lamps single-ended E40 (> see BLV catalogue)

MIG Metal-Halide Lamps



Spezifikation / Specification:

Lampenleistung / Lamp wattage:	400 W
Lampenstrom / Lamp current:	4,0 A
Zündspannung / Ignition voltage:	4 kV
Farbtemperatur / Colour temperature:	4200 K
Farbkoordinaten / Colour coordinates:	x: 0,372 y: 0,370
Lichtstrom / Luminous flux:	42000 lm
Mittlere Lebensdauer / Average lifetime:	8.000 h
Socket / Base:	E40
Zulässige Brennlage / Reliable burning position:	u360
Kolbenform / Bulb contour:	röhrenförmig / tubular
Kobentyp / Bulb type:	klar / clear
Verpackungseinheit (Stck.) / Box quantity (pcs.):	12

INFINITY OUTDOOR LTD, 52 BERKELEY SQUARE, MAYFAIR, LONDON, W1J 5BT.

T: 0207 6290 250 E: info@infinity-outdoor.co.uk

VAT no: 983 8019 84 COMPANY REG no: 05983171