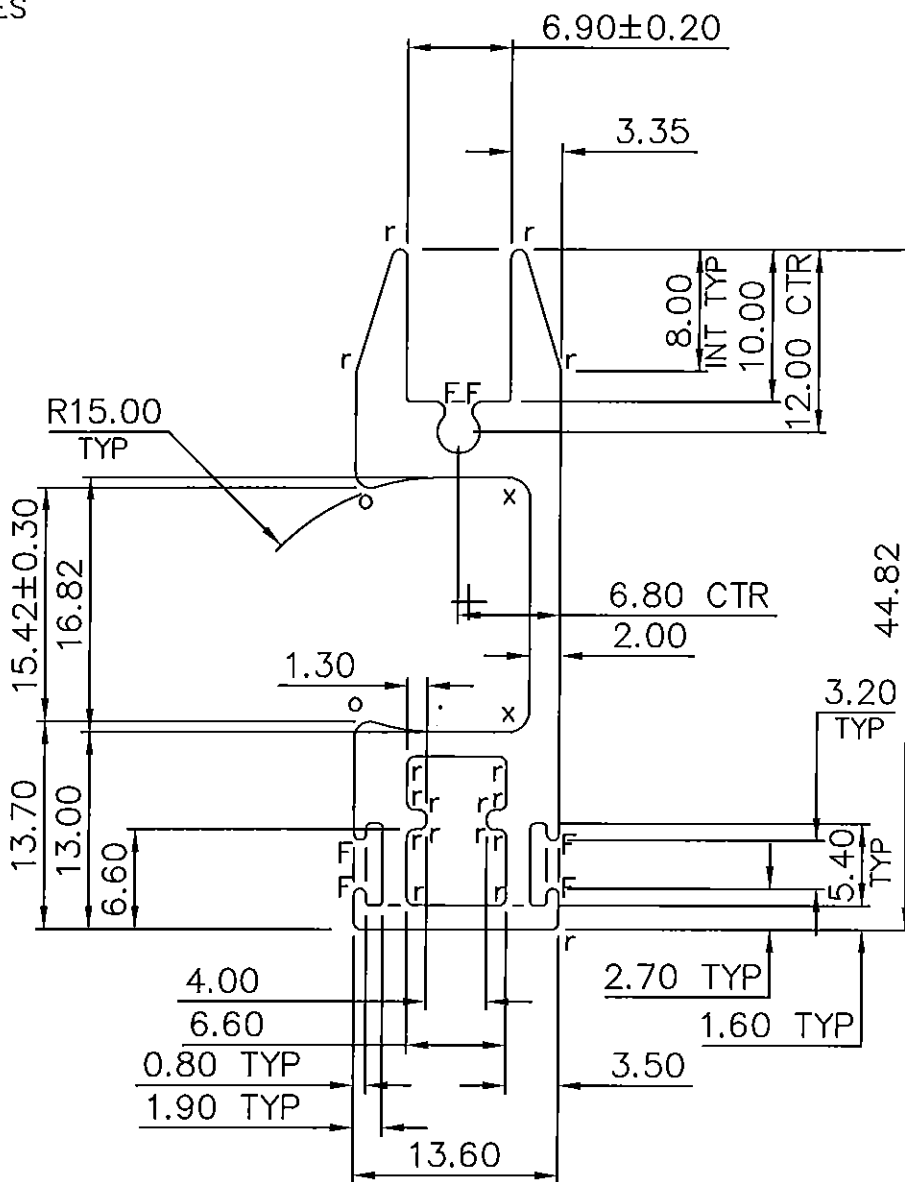
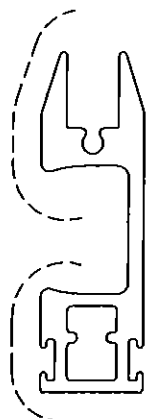


Customer BW ALUMINIUM			Cust.Drwg.No. CITY SOUND PROFILE		Extrusion No. 204640	
No.	Change	Date	End Use			
A	MAJOR MODS	27-1-12				
B	OVERALL TO 44.82MM	23-2-12				
1	33315	1 10 12	IF IN DOUBT - ASK! DO <u>NOT</u> SCALE			

QUOTE REF - Q51,698

ACTUAL SIZE SHOWING
VISIBLE SURFACES



$I_{xx} = 45344 \text{ mm}^4$
 $I_{yy} = 5204 \text{ mm}^4$

TOLERANCES UNLESS OTHERWISE

STATED TO BE: EN755 - 9

Wall thickness not shown 1.60mm.

sapa:

Sapa Profiles Limited

Tibshelf Tel No. 01773 872761 & Fax No 01773 874389

Cheltenham Tel No. 01242 699200 & Fax No 01242 513304

Visible Surface = ----	Backer	Die	Holes	Billet	Ratio	Theor Area	Scale
Radius not shown 0.25	-	220X110	4	7	8	243.72	2:1
#= o=1.00	Bol	Ins	Leadplate	Ratio	Ratio	Theor Kg/m	Date
r= 0.50 x=1.50	BX195			g	7 25	0.66	24/01/12
s= Sharp f= Full Rad	Backer	Die	Holes	Billet	Ratio	Perimeter Values	Drawn
					8	174 35	JR
Alloy	Bol	Ins	Leadplate	Ratio	Ratio	Finish	
6063				g	7	B	

204640