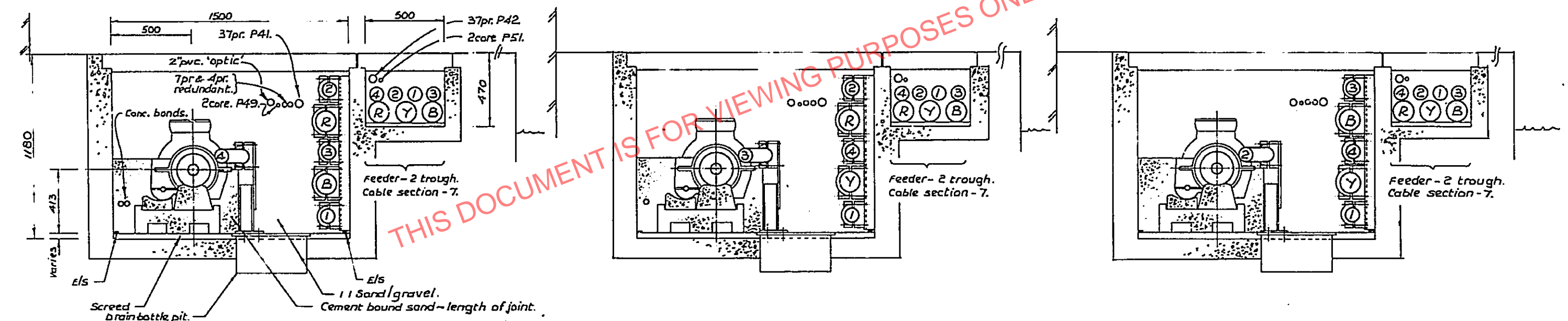


Reference Drawings:  
 Straight Joints ~ BICC. :E95480-D1.  
 Joint Bay Construction ~ C.E.G.B. :16/16127 rev:D.  
 Solid Bond Kiosk. :E90346-D3.

Layout of Straight Joint Bay ~ 6/7. Scale ~ 1:100



Section on Yellow Phase Joint.

Section on Blue Phase Joint.

Section on Red Phase Joint.

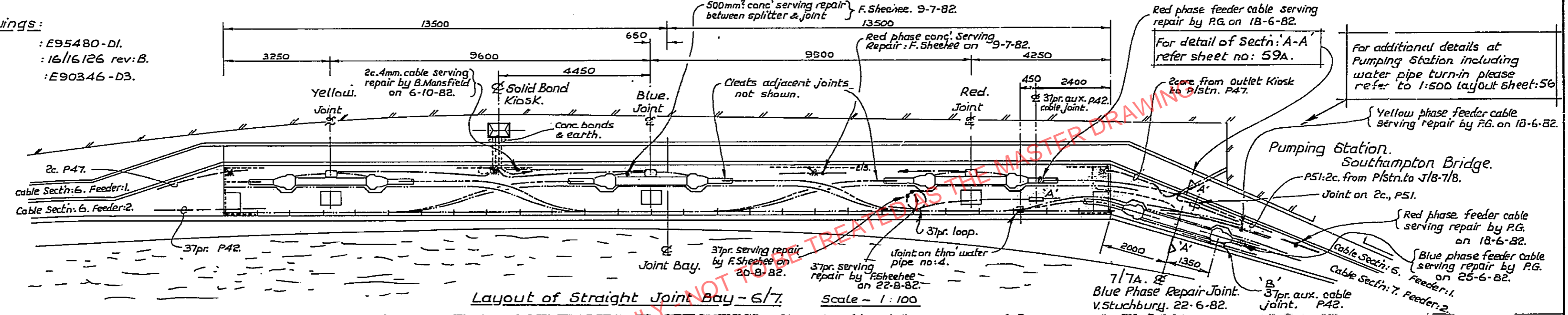
Cross Sections Facing City Road. Scale 1:25

Jointing Details ~ Feeder Cables.			
Phase	Type of Cable.	Jointer.	Date.
R	400 kv. S.C. 2000 <sup>2</sup> mm. oil filled. lead sheath.	V. Stuchbury.	22-5-80
Y	— " —	— " —	16-5-80
B	— " —	— " —	19-5-80

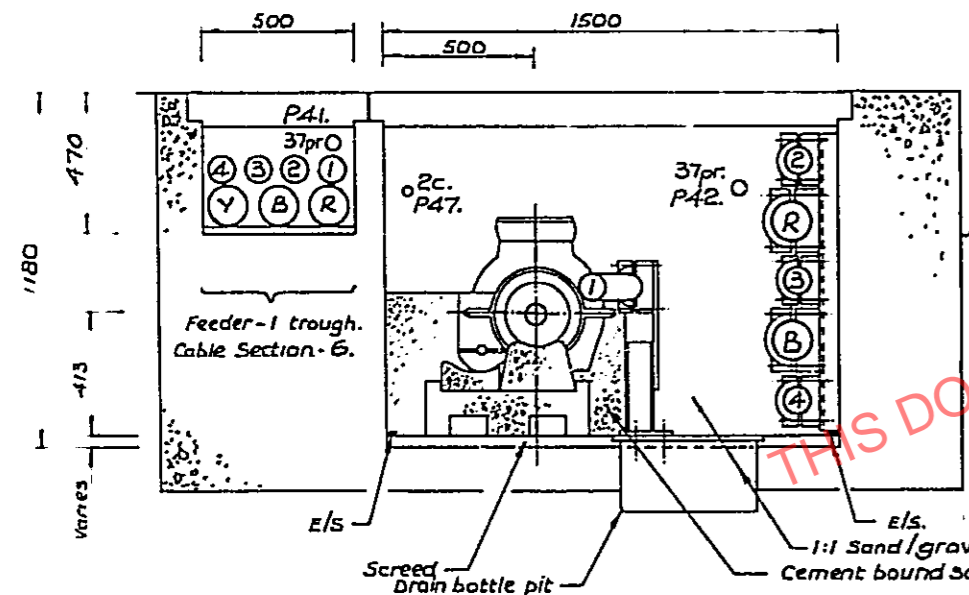
Jointing Details ~ Auxiliary Cables.			
	Type of Cable.	Jointer.	Date.
F41.	37pr. 1/0.9mm. Pe. Pe. AWA. Pe. jelly filled.	B. Mansfield.	9-6-80
P49	2core. 4mm <sup>2</sup> BSS 6346.	B. Mansfield.	10-6-80

70/3621 SHT64

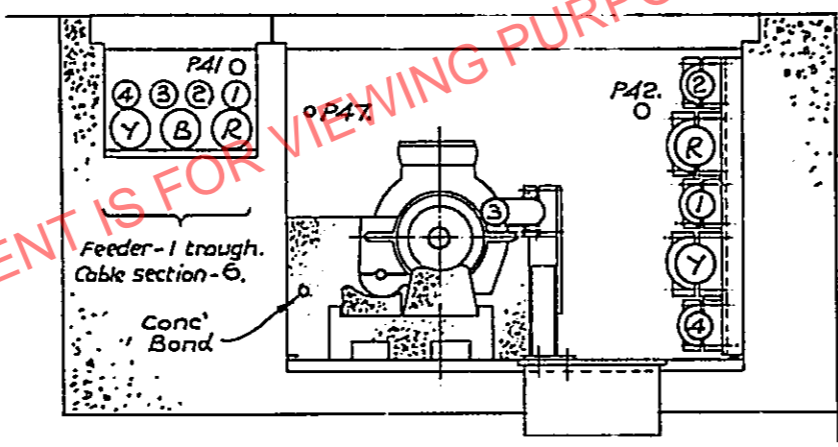
**Reference Drawings:**  
 Straight Joints ~ BICC : E95480-D1.  
 Joint Bay Construction ~ C.E.G.B. : 16/16126 rev:B.  
 Solid Bond Kiosk : E90346-D3.



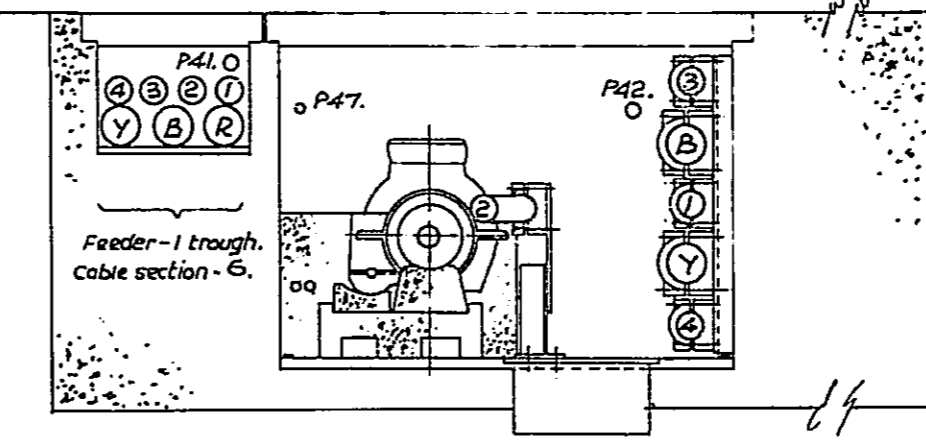
Layout of Straight Joint Bay - 6/7. Scale - 1:100



Section on Yellow Phase Joint.



Section on Blue Phase Joint.



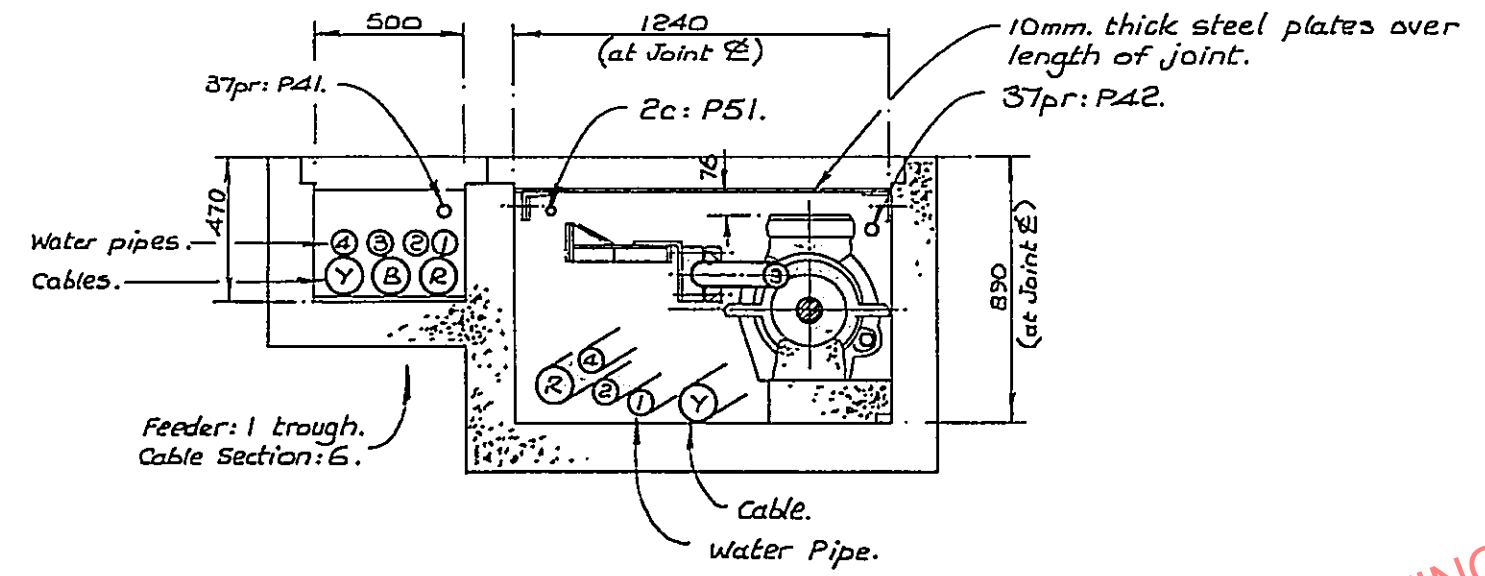
Section on Red Phase Joint.

70/3621 SHT65

Cross Sections Facing City Road. Scale - 1:25.

Phase	Type of Cable.	Jointer	Date.
R	400 kv. S.C. 2000 <sup>2</sup> mm. oil filled. lead sheath.	v Stuchbury	25-3-80
Y	"	"	18-3-80
B	"	"	28-6-82

	Type of Cable.	Jointer	Date.
'A'	37pr. 1/5.9mm. Pe. Pe. AWA. Pe. jelly filled.	B. Mansfield.	14-4-80.
'B'	"	F. Sheehee.	28-6-82.
P47.	2core. 4mm <sup>2</sup> BSS6346.	F. Sheehee.	29-6-82.



Section on 'A-A' Blue Phase Repair Joint: 7/7A.

For location ~ city Rd Bellmouth of JB- 6/7 Fdr:2 refer sheet no: 59.

THIS DOCUMENT IS FOR VIEWING PURPOSES ONLY - NOT TO BE TREATED AS THE MASTER DRAWING