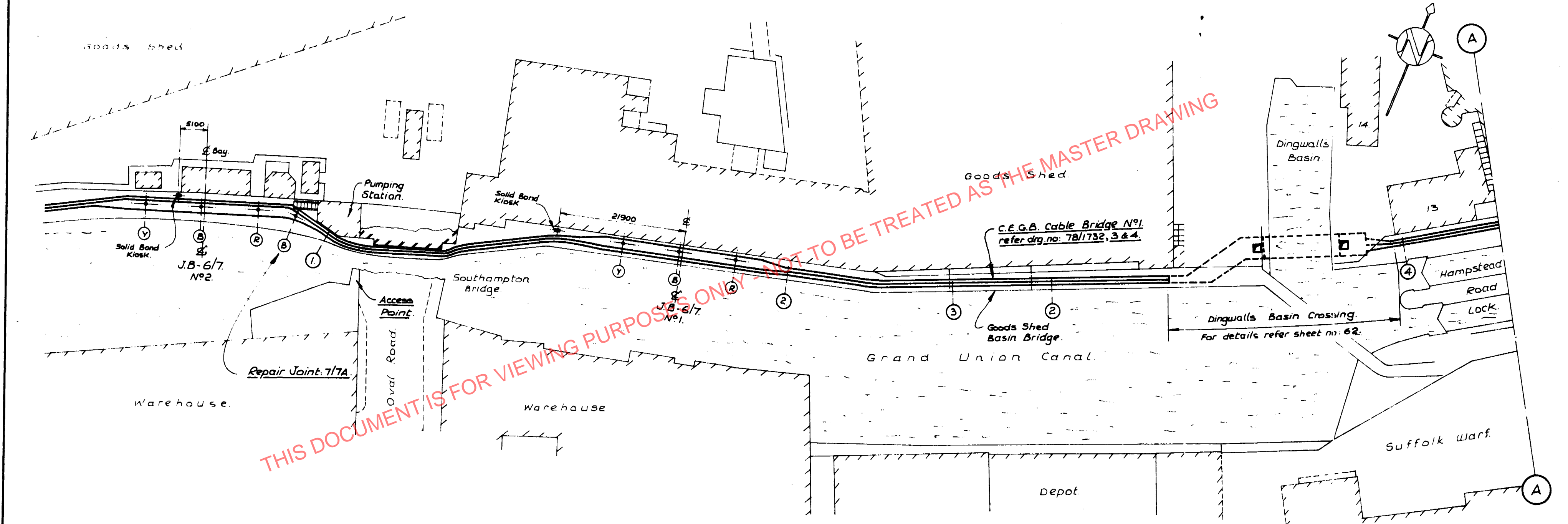


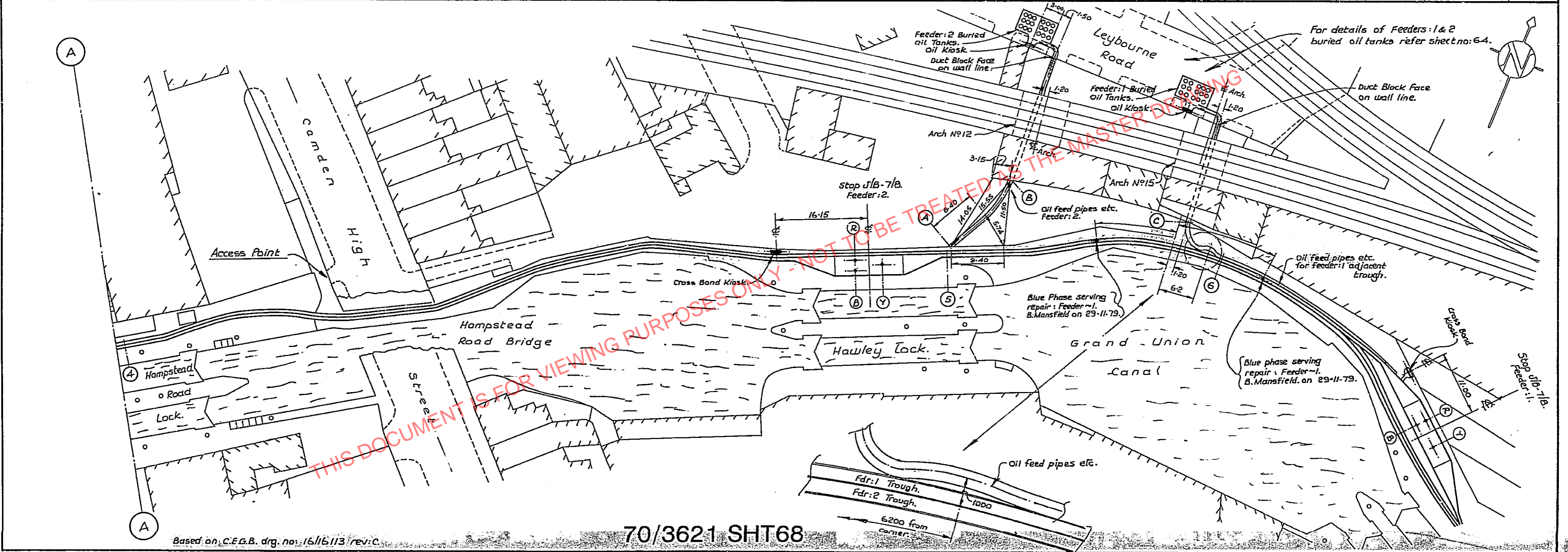
THIS DOCUMENT IS FOR VIEWING PURPOSES ONLY - NOT TO BE TREATED AS THE MASTER DRAWING



THIS DOCUMENT IS FOR VIEWING PURPOSES ONLY - NOT TO BE TREATED AS THE MASTER DRAWING

Based on C.E.G.B. drg. no: 16/16/113 rev: C.

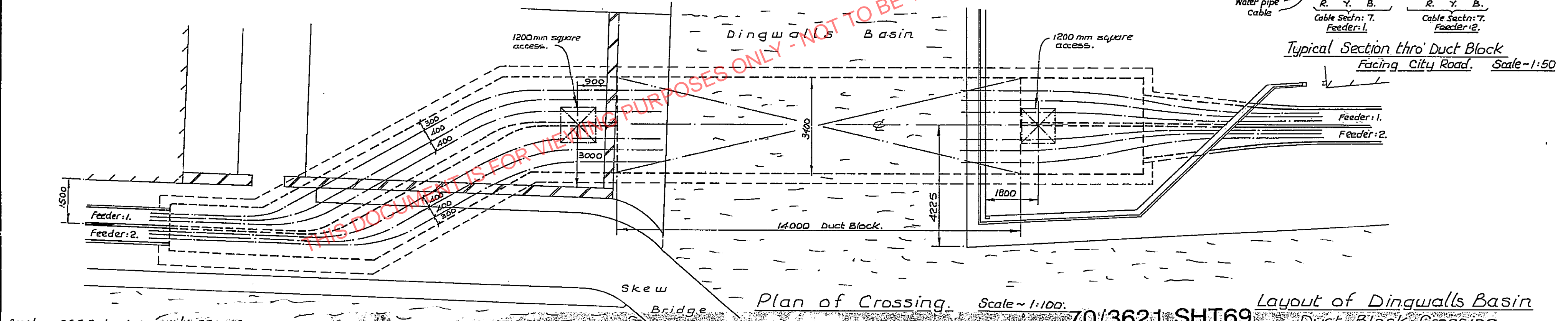
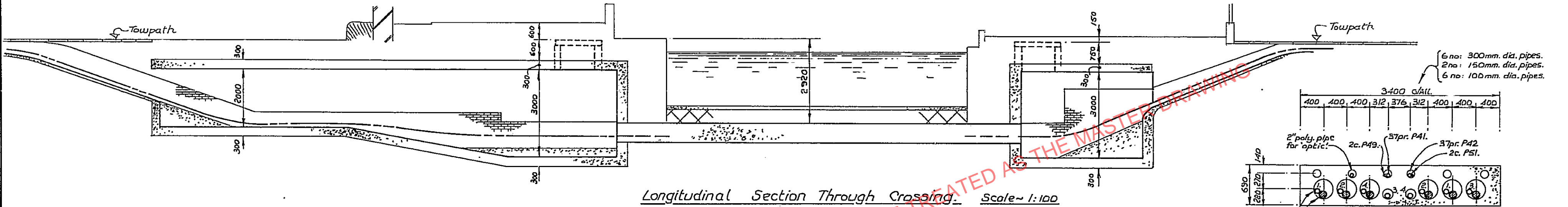
DRAWN BY: A.B. CHECKED BY: G.W.C. C.E.G.B. CONTRACT: TC/NT/CS419. ST. JOHN'S WOOD ~ CITY ROAD. 400 KV. O/F. CABLES. CITY ROAD → CABLE SECTION N° 7. FEEDERS: 1 & 2. SCALE ~ 1:500 61.



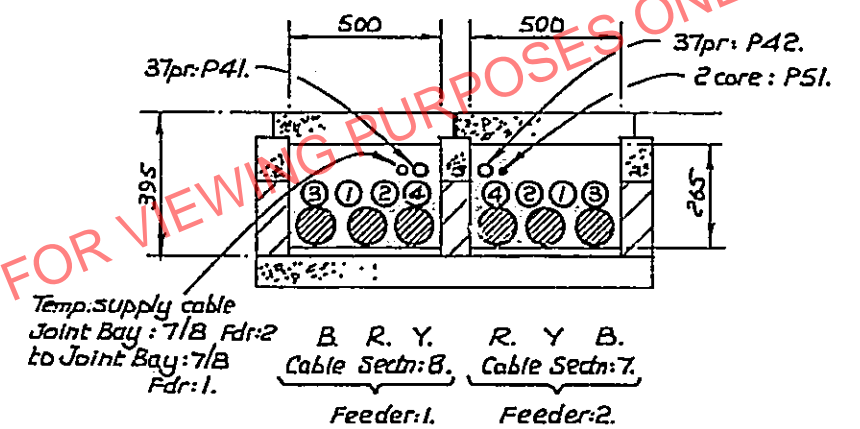
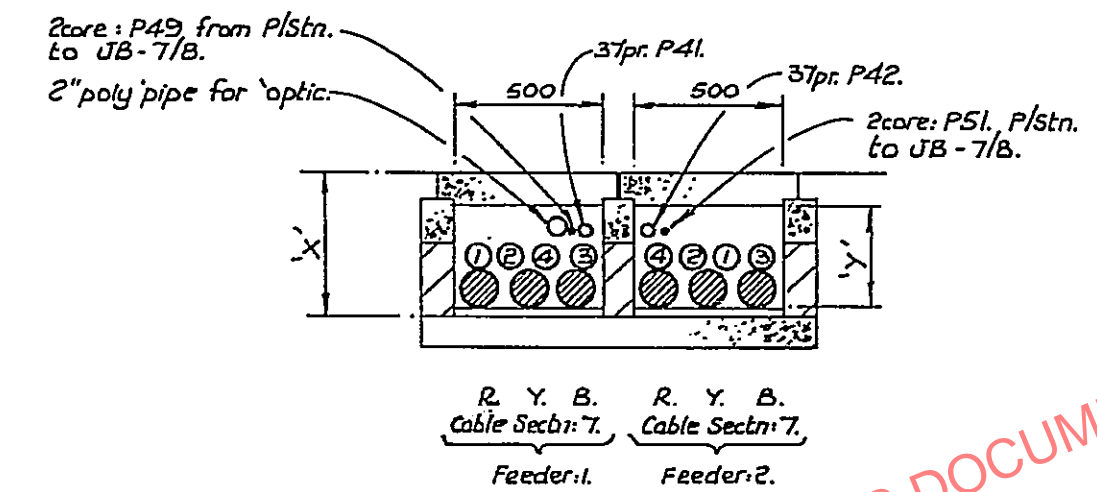
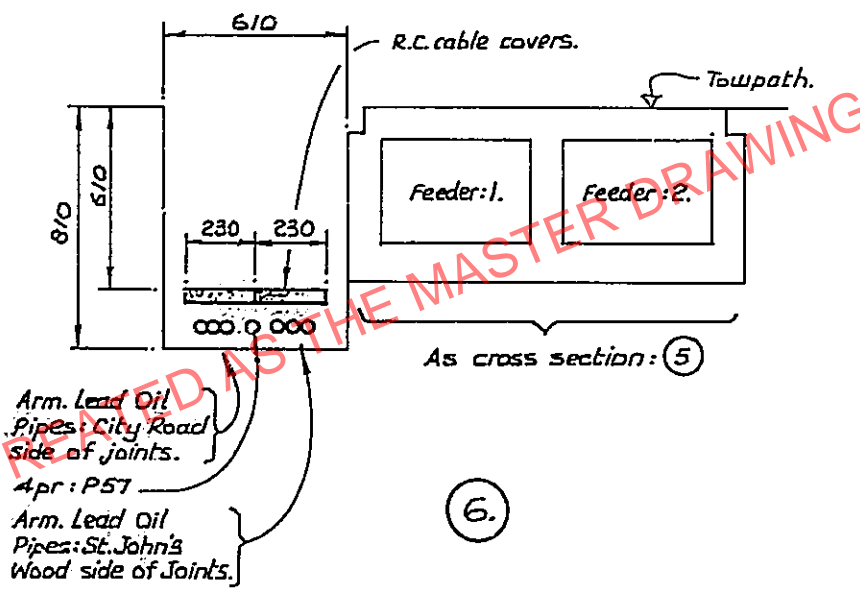
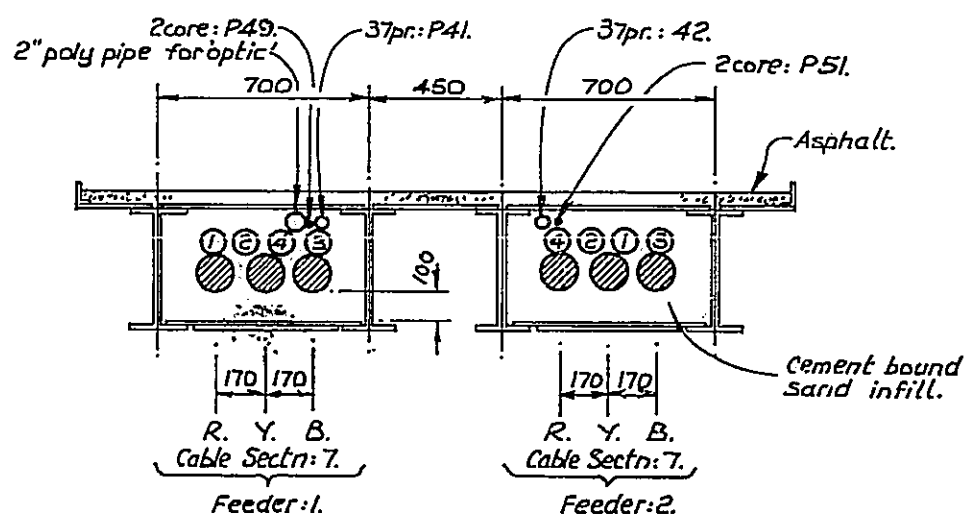
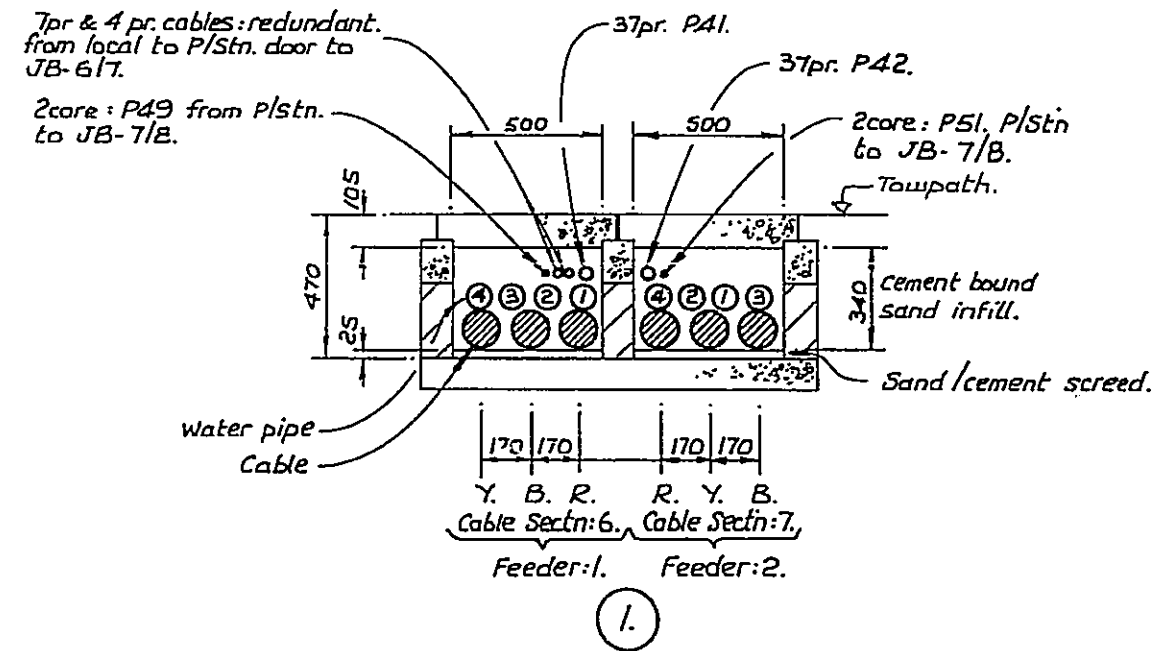
Based on C.E.G.B. drg. no: 16/16/113 rev: C

70/3621 SHT 68

DRAWN BY: A.B. CHECKED BY: GWC. C.E.G.B. CONTRACT: TC/NT/C5419. ST. JOHN'S WOOD ~ CITY ROAD. 400 KV. O/F. CABLES. DINGWALLS BASIN CROSSING. CITY ROAD FEEDERS: 1 & 2. SCALE ~ AS NOTED 62.



Based on C.E.G.B. drawing no: 16/16155 rev: B.



3. Goods Shed Basin Bridge. C.E.G.B. Cable Bridge. N97. refer drg. no: 78/1732, 3 & 4.

2. Dim: X' = 470
Dim: Y' = 340

4. Dim: X' = 395
Dim: Y' = 265

