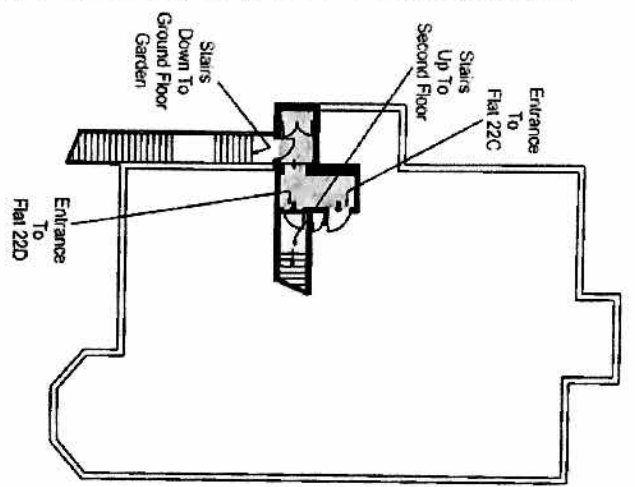
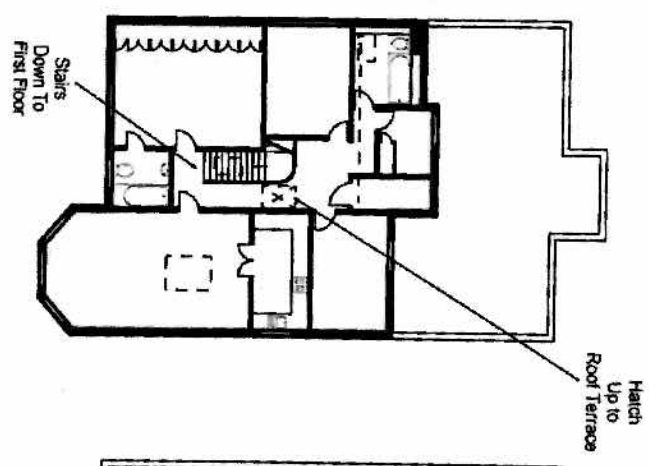


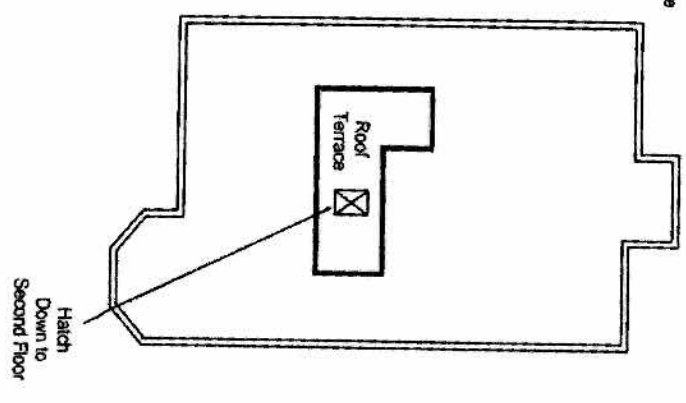
GROUND FLOOR



FIRST FLOOR ENTRANCE



SECOND FLOOR



ROOF TERRACE PLAN 1

Woodstock
N. Purdy

Project Data
FLAT D
22 WOODCHURCH ROAD
LONDON
NW6 3PN
SCALE
1:250 @ A4
Plans Drawn: 02.05.2012



Surveyed and Drawn By
BKR
 Surveyed House, 17 Surveyal Road
 London, SW16 3JC
 Tel: 0845 257 2023
 Fax: 0845 257 2024
 info@bkr.co.uk
 www.bkr.co.uk
 © 2012