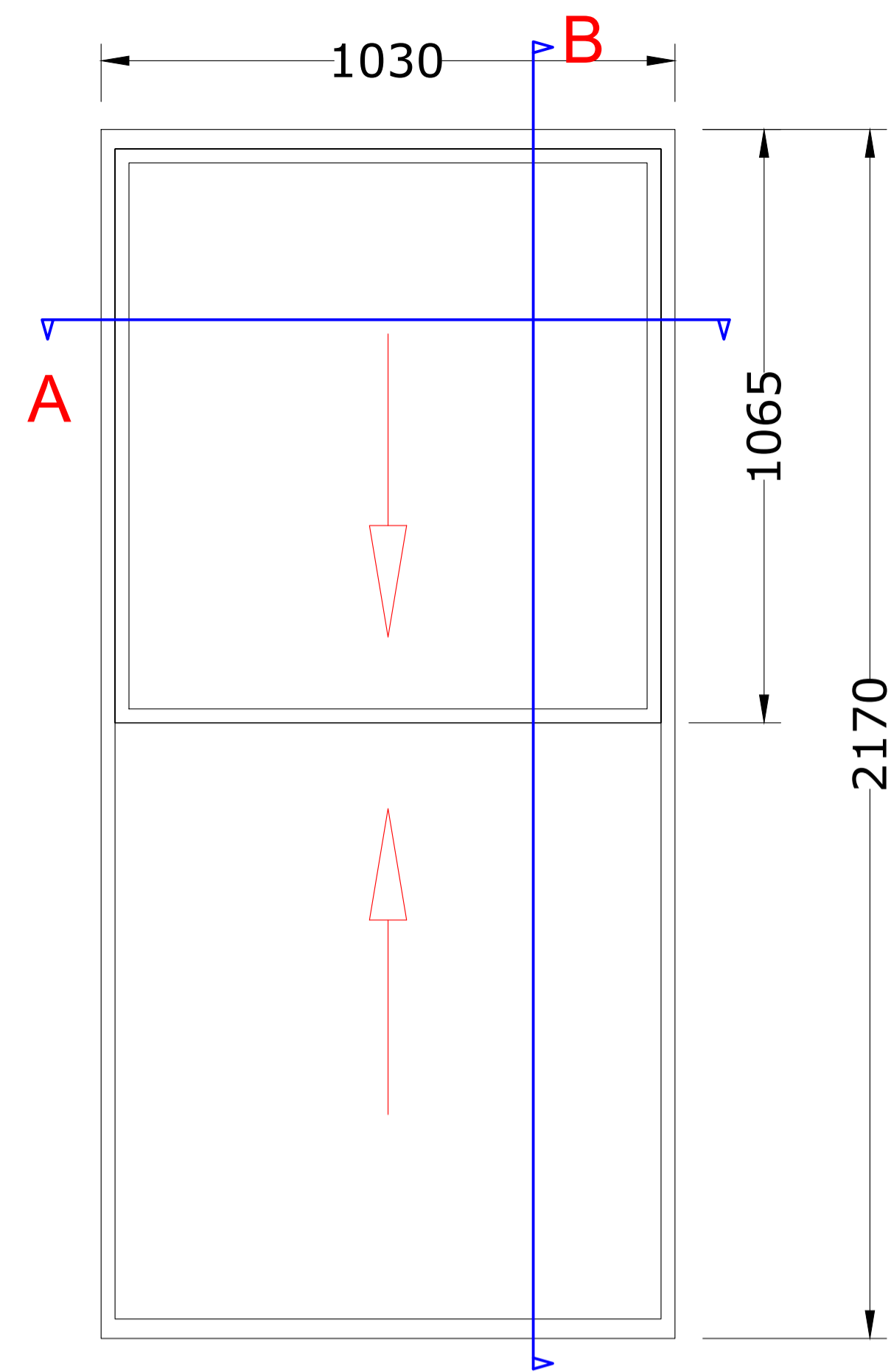
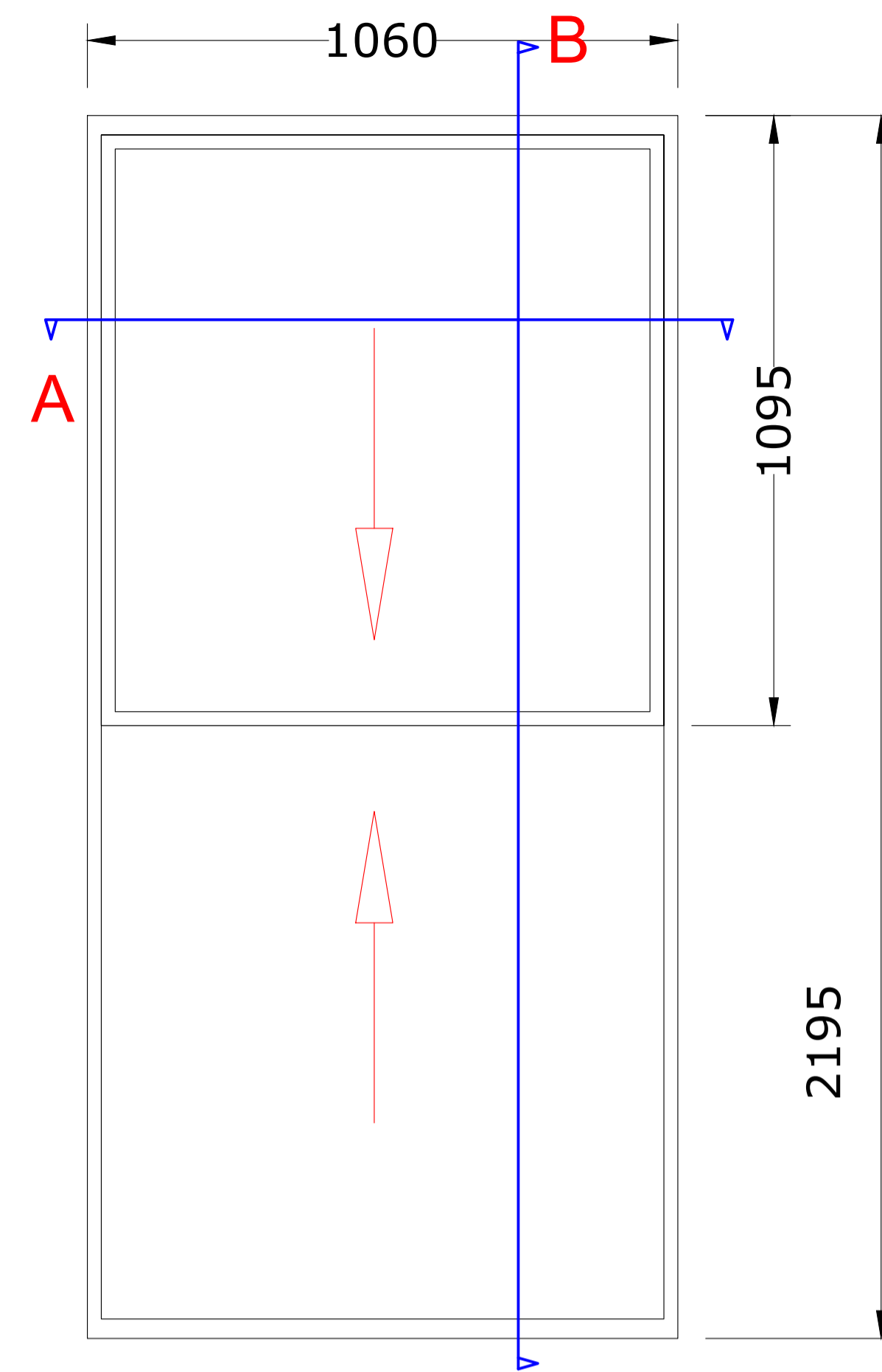


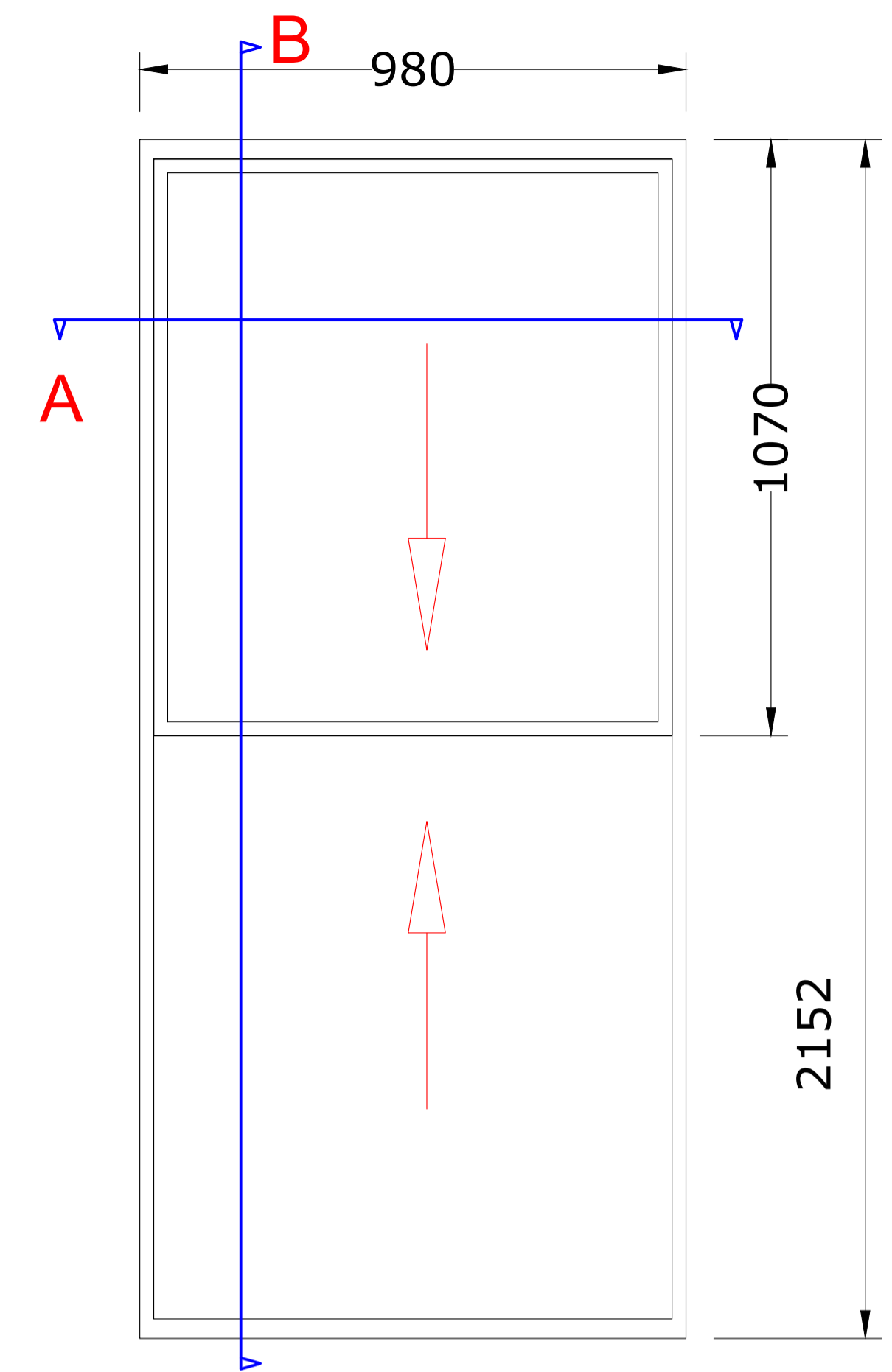
W 01
LOUNGE
 SCALE: 1:10 @ A1
 WINDOWS ARE VIEW FROM OUTSIDE
 NB: PLEASE REFER TO SCHEDULE NOTES



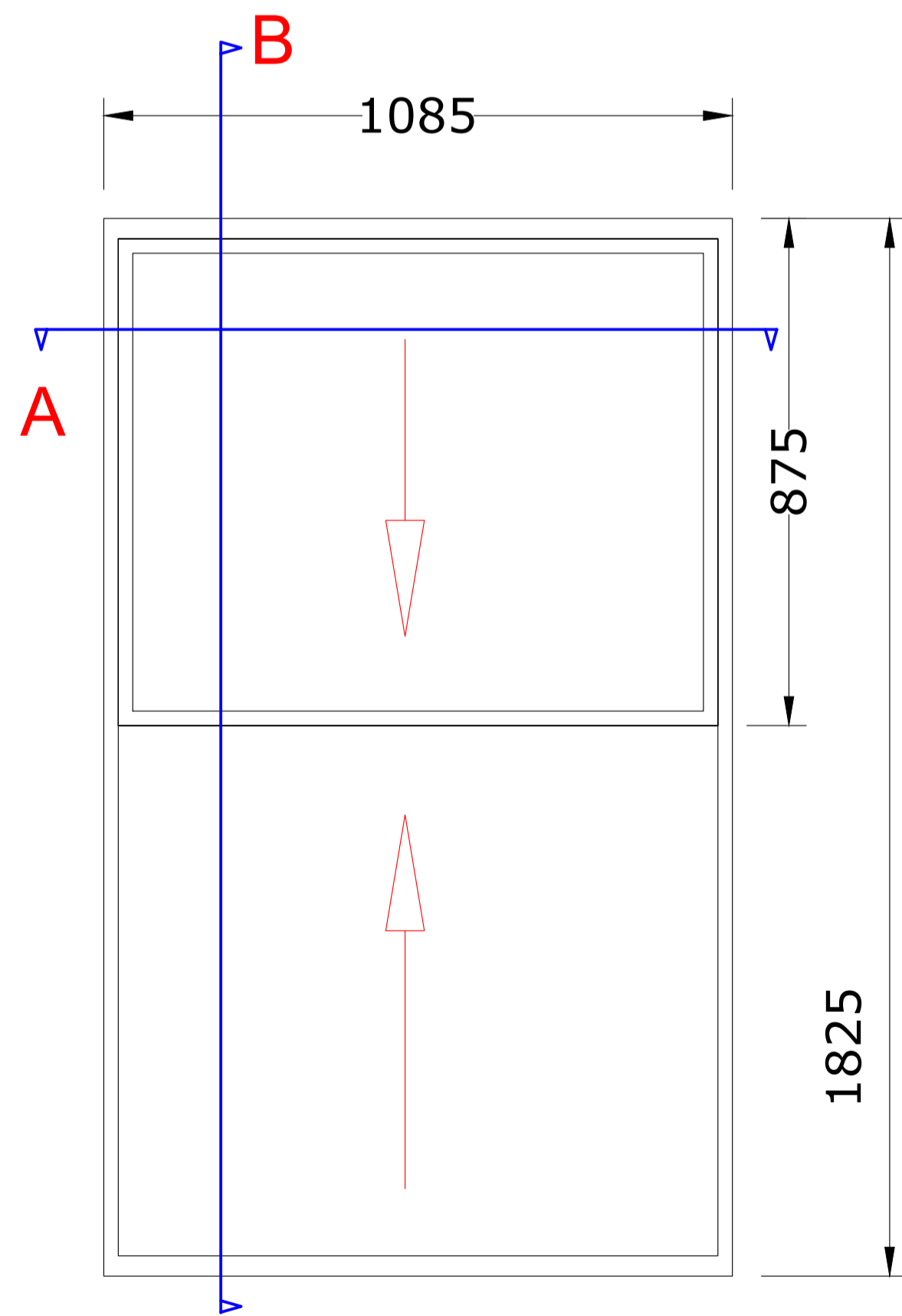
W 02
LOUNGE
 SCALE: 1:10 @ A1
 WINDOWS ARE VIEW FROM OUTSIDE
 NB: PLEASE REFER TO SCHEDULE NOTES



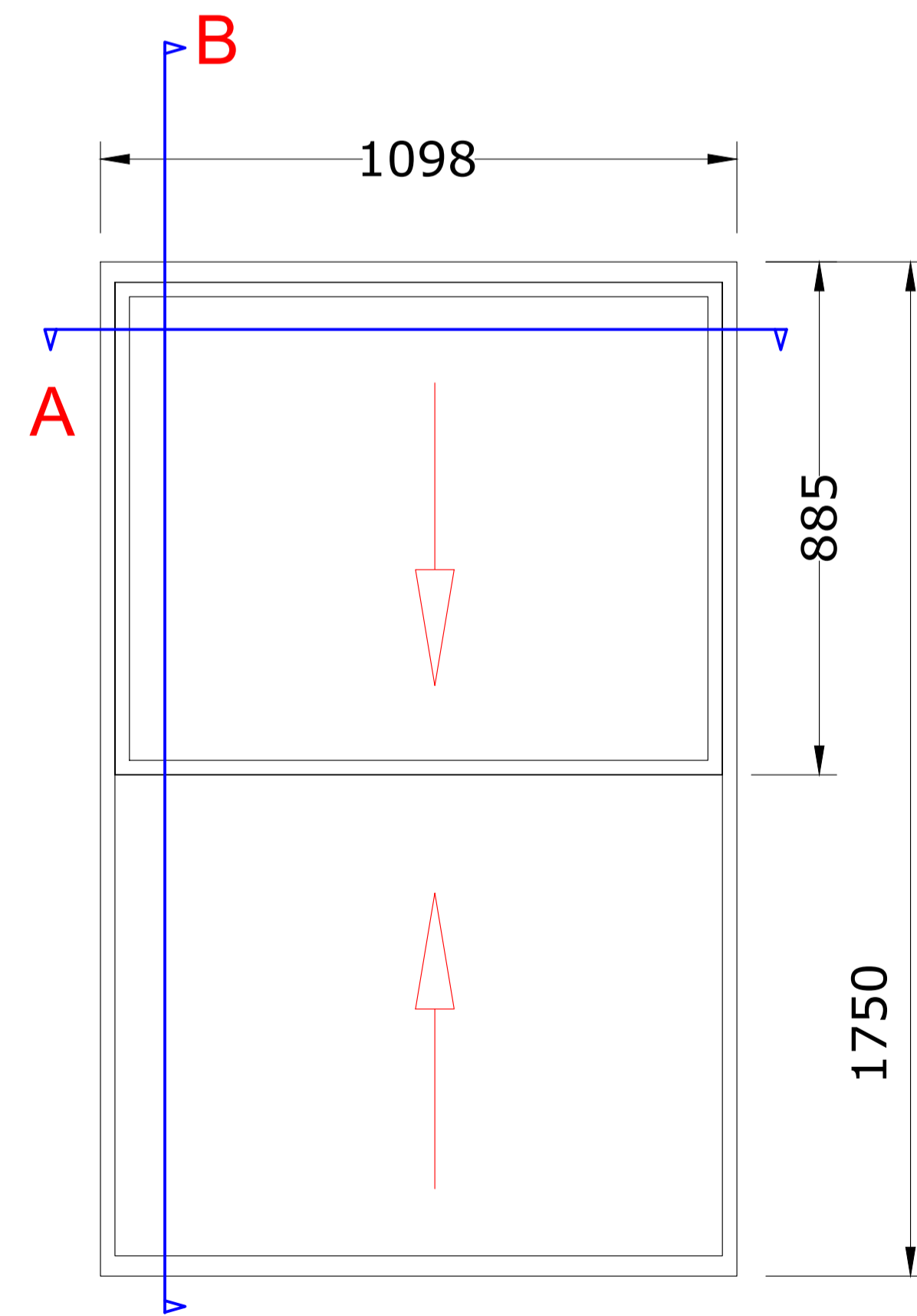
W 03
KITCHEN
 SCALE: 1:10 @ A1
 WINDOWS ARE VIEW FROM OUTSIDE
 NB: PLEASE REFER TO SCHEDULE NOTES



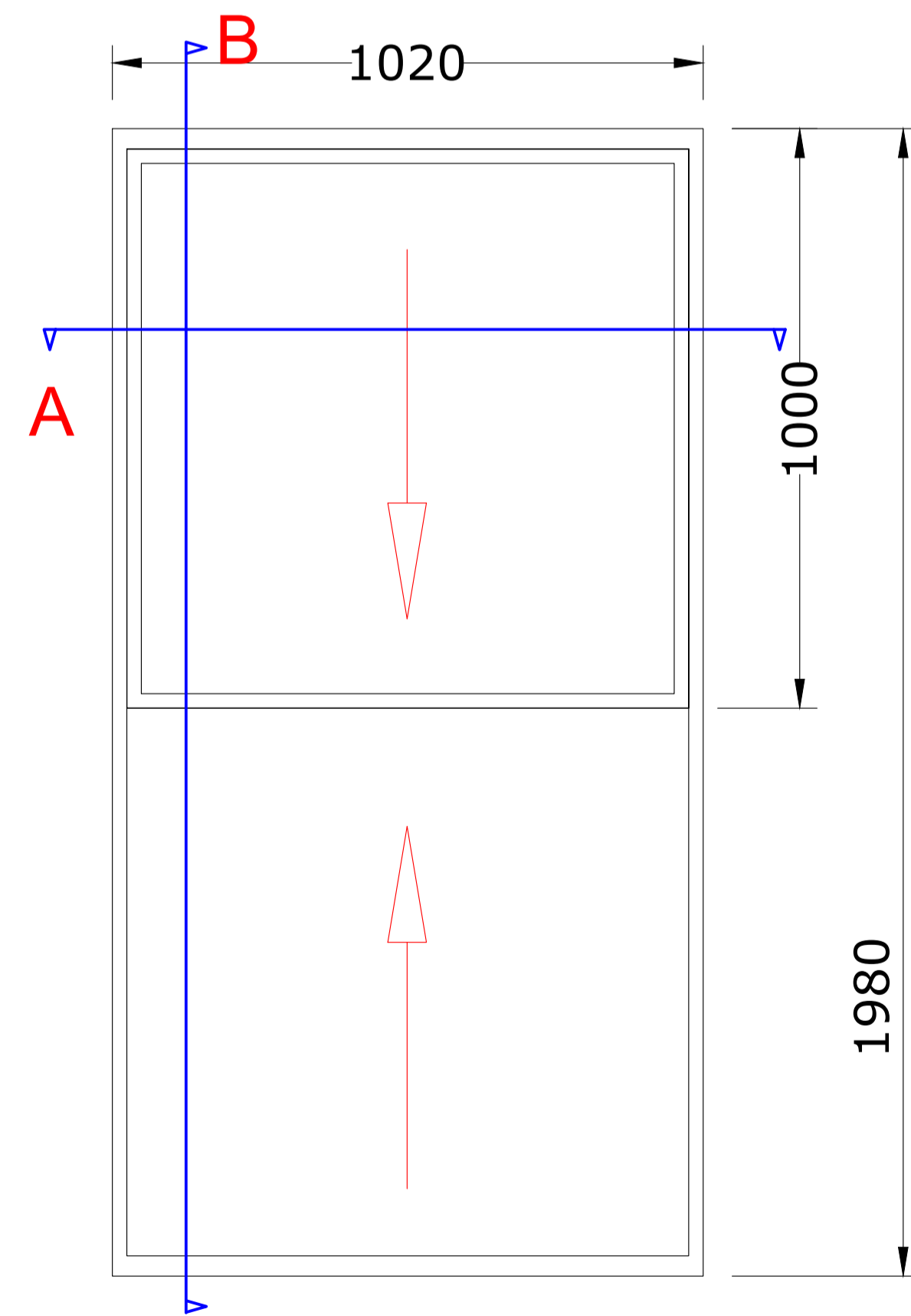
W 04
HALL
 SCALE: 1:10 @ A1
 WINDOWS ARE VIEW FROM OUTSIDE
 NB: PLEASE REFER TO SCHEDULE NOTES



W 05 **W 06**
FRONT BEDRM
 SCALE: 1:10 @ A1
 WINDOWS ARE VIEW FROM OUTSIDE
 NB: PLEASE REFER TO SCHEDULE NOTES



W 07
Rear BEDRM Left
 SCALE: 1:10 @ A1
 WINDOWS ARE VIEW FROM OUTSIDE
 NB: PLEASE REFER TO SCHEDULE NOTES



W 08
Rear BEDRM Right
 SCALE: 1:10 @ A1
 WINDOWS ARE VIEW FROM OUTSIDE
 NB: PLEASE REFER TO SCHEDULE NOTES

Title: JONES
Scale: 1:10
Date: 10/09/2015
Paper Size: A1
Drawing No. 2596/PP/03