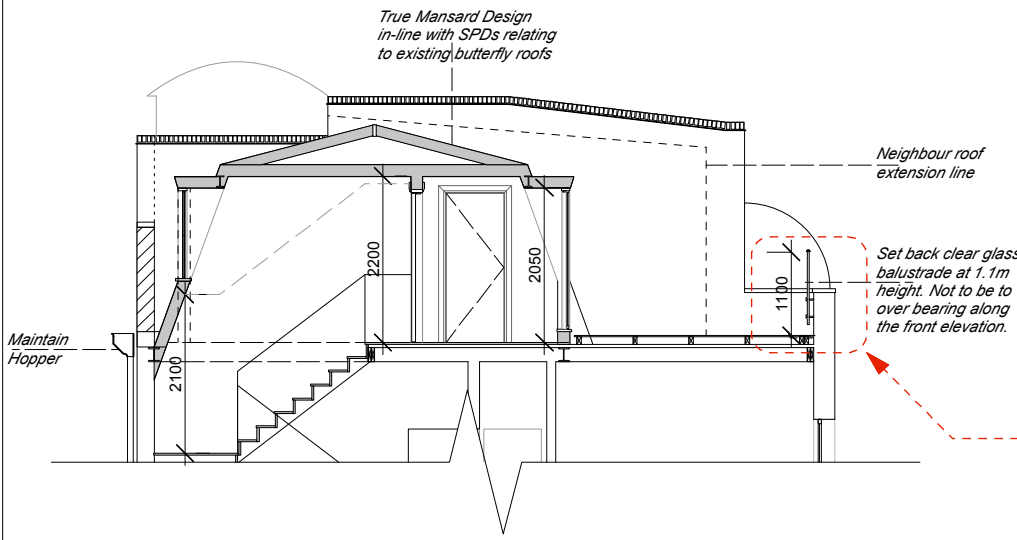
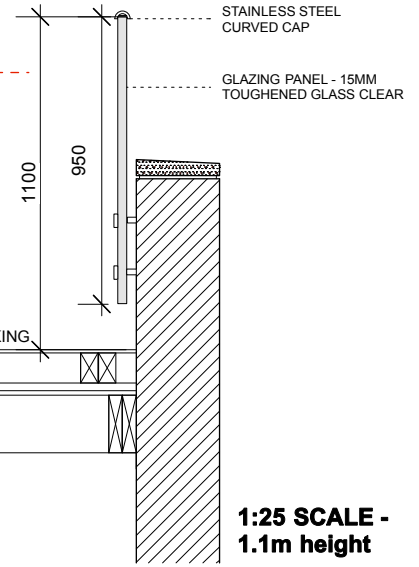


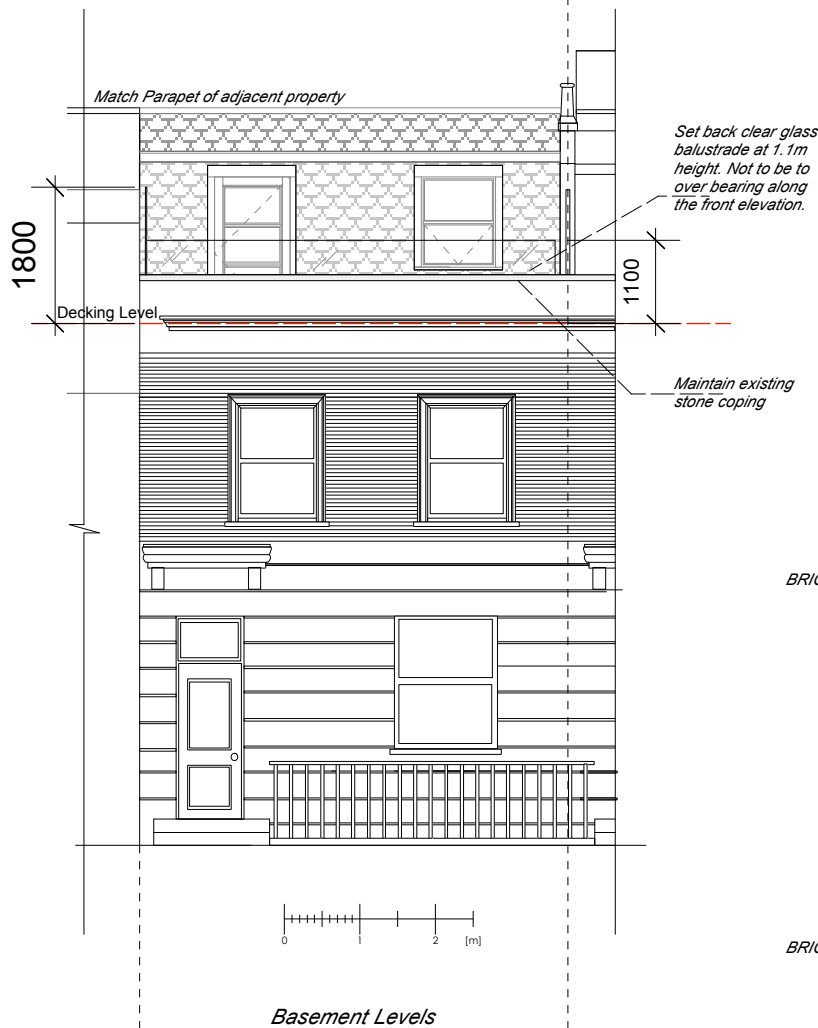
**TYPICAL IMAGE**



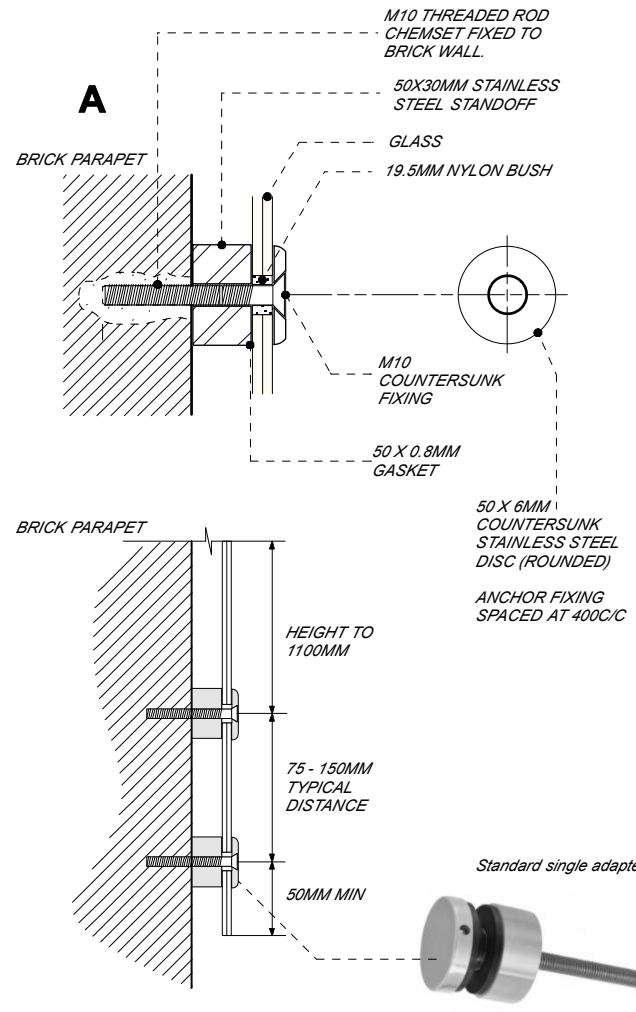
**SECTION AA 1:100**



**1:25 SCALE - 1.1m height**



**Front Elevation 1:100**



FOR INFORMATION PURPOSES ONLY  
PROPERTY OF NIVEDA REALTY

**Niveda Realty**

Address: Berkeley Square House,  
Berkeley Square, Mayfair, London,  
W1J 6BD, UK

Tel: 0207 887 6274  
E-mail: realty@niveda.com  
Website: www.niveda.com

|                                   |                 |                         |       |
|-----------------------------------|-----------------|-------------------------|-------|
| <b>Project:</b> LYME TERRACE      | <b>REVISION</b> | <b>DATE</b>             | Note: |
| <b>CONDITION - GLAZING SCREEN</b> |                 |                         |       |
| <b>Drawing No:</b> Con1           |                 |                         |       |
| <b>Scale:</b> 1:100 @ A4 Size     | <b>Drawn</b>    | <b>INFORMATION ONLY</b> |       |