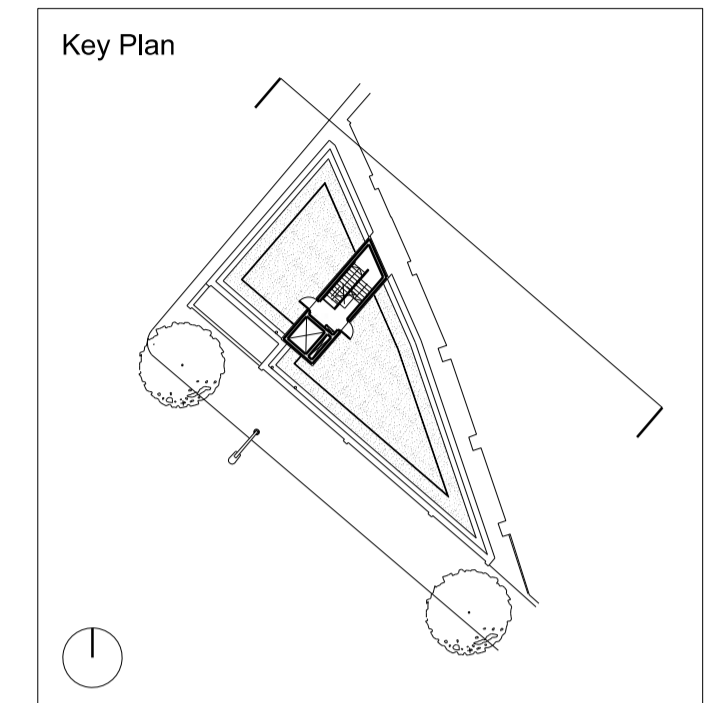


Existing North East Elevation (Back)



Planning

General arrangement drawing

Project		17 Murray Street, London, NW1 9RE	
Drawing		Existing North East Elevation (Back)	
Scale	1:50 @ A1, 1:100 @ A3	Date	July 2015
Drawing number	344 031	Revision	A
CAD file: plotfile/344_031.ppt			

Revision	Date	Drawn	Approved	Notes
A	15.07 2015	NG	AH	

