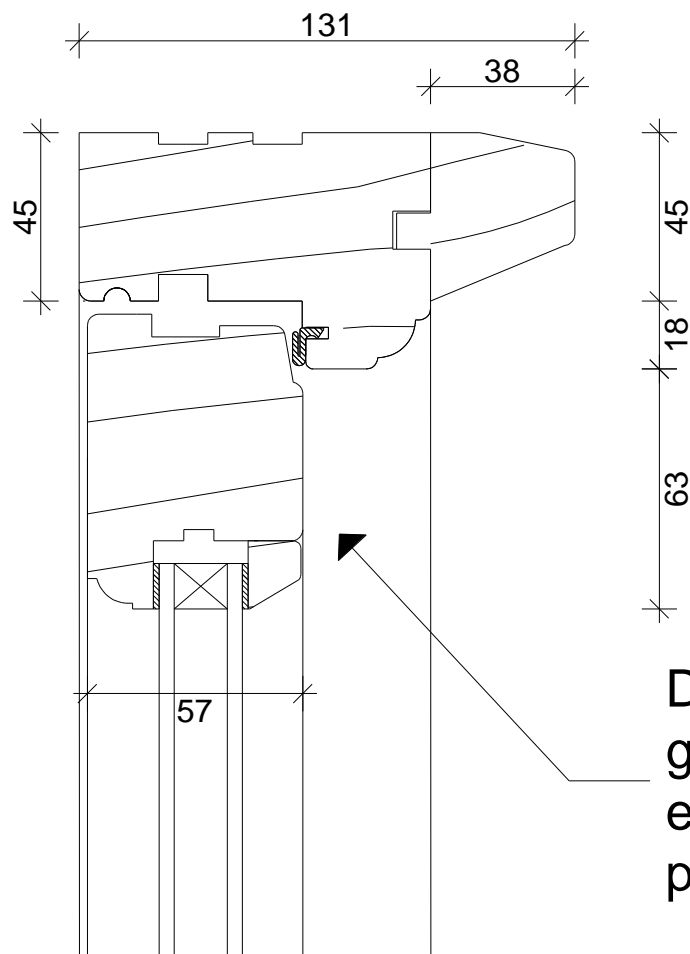


Door Head

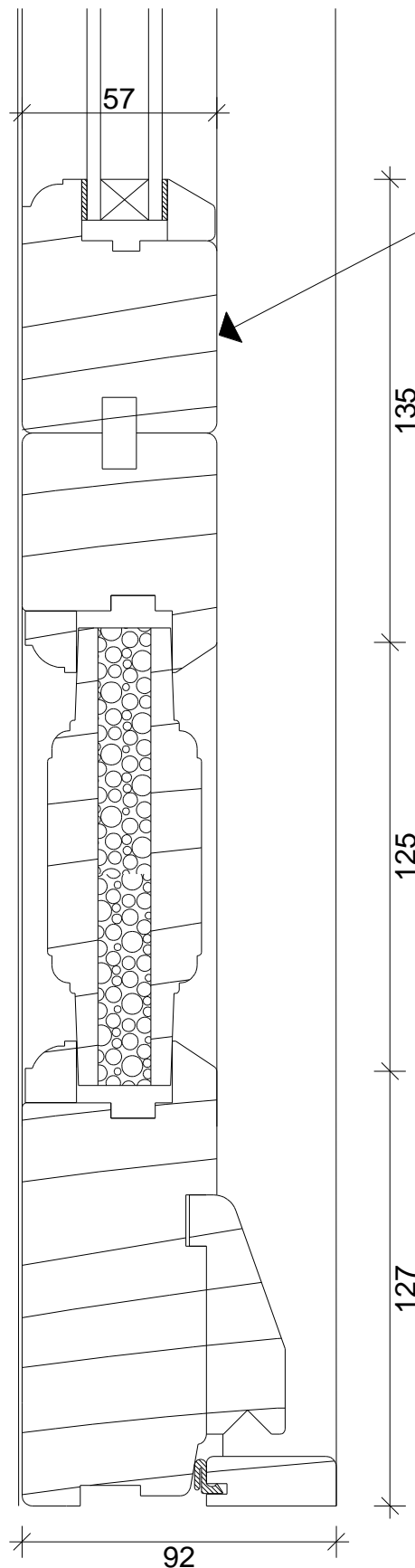
Inside



Outside

Door. Double glazed part acid etched glass within painted timber frame.

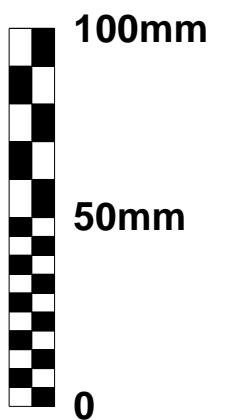
Inside



Outside

Door. Double glazed part acid etched glass within painted timber frame.

Door Cill



Preliminary	
Planning	
Building Regs.	
Tender	
Construction	
As-built	
File Ref: 1123 - BB - Plans 31a.pln © Copyright	
<small>Scholar's House, Shottery Brook Office Park, Tel: 01789 294 560 Timothy's Bridge Road, Stratford-upon-Avon, Warwickshire, CV37 9NR donald@ds-architects.demon.co.uk</small>	
Project	Lithos House, 307 Finchley Road
Client	Gallery Zadah Pension Fund
Drawing	Detail 007 - Door Head and Cill details
Date	Aug 15
Scale	1:2
Drawing size	A3
Reference Number	1123-BB-125
Rev	Date