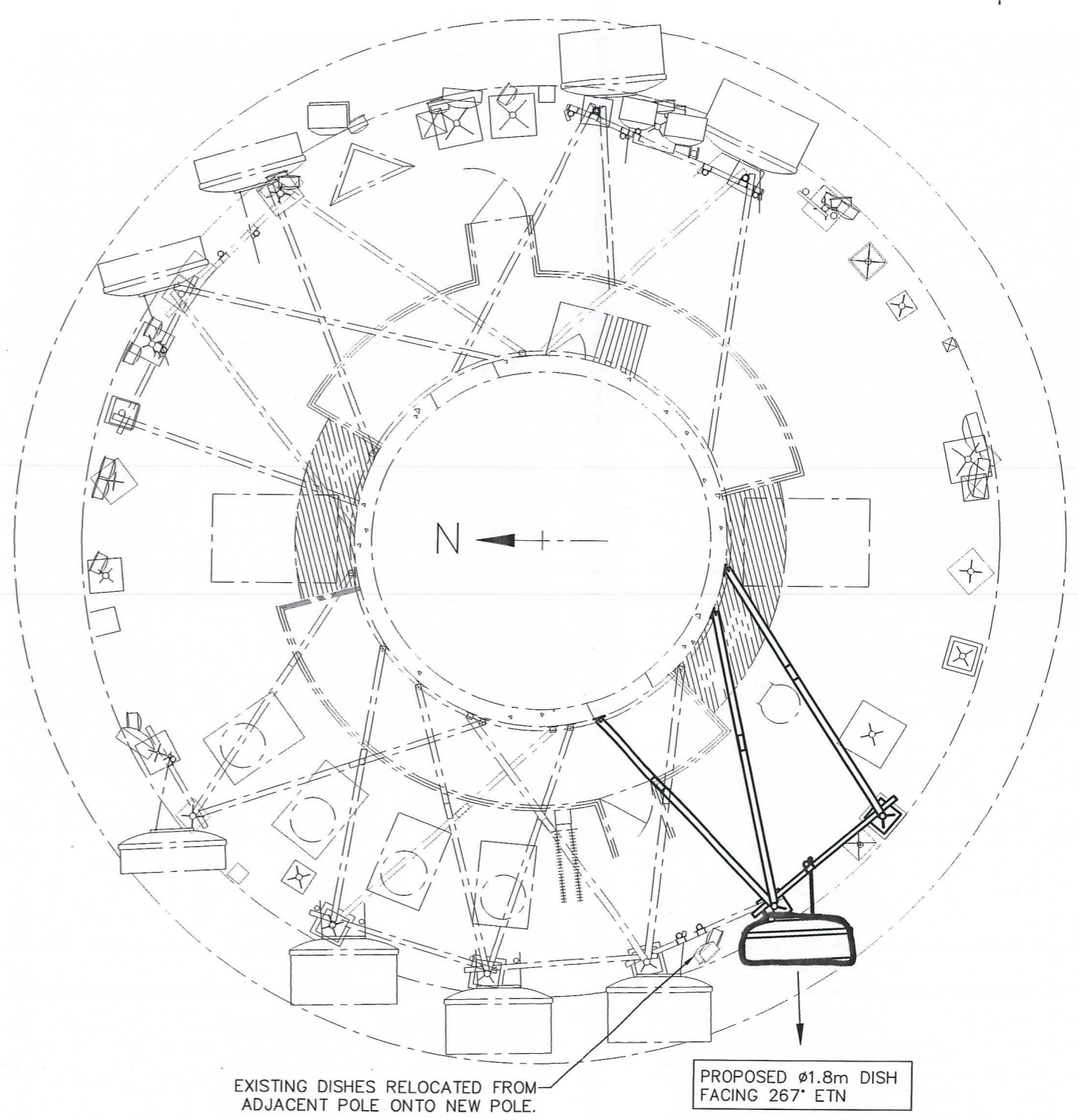


PLAN VIEW ON 167.006M LEVEL:- SCALE 1:50
SHOWING EXISTING LAYOUT



PLAN VIEW ON 167.006M LEVEL:- SCALE 1:50
SHOWING PROPOSED LAYOUT

DIMENSIONS IN mm UNLESS OTHERWISE STATED

© British Telecommunications plc 2015

DO NOT SCALE

ORIGINAL SCALE 1:50

| | |
|--------------------|---------------------------|
| A1 A2 | DRN S.A.D CKD IMCR |
| | CERTIFICATION DESIGNER |
| CLIENT A.MILLER | |
| DATE 22/01/15 | |

ANY MODIFICATION TO THE DRAWING OR THE USE OF ALTERNATIVE ITEMS TO THOSE SPECIFIED MUST BE AGREED WITH THE DESIGNER.

| |
|----------|
| MATERIAL |
| FINISH |

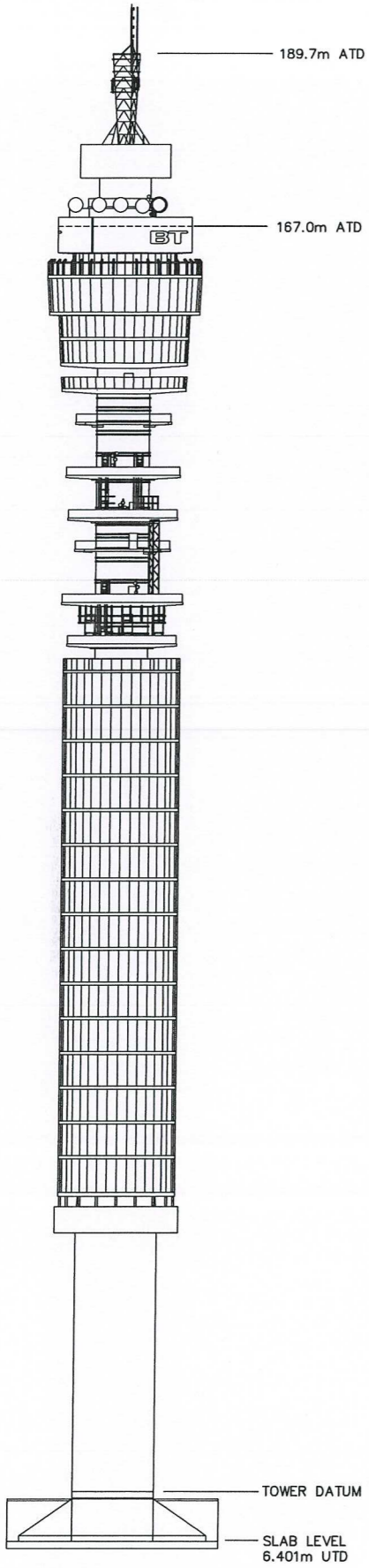
| |
|--------------|
| AMENDMENT |
| ISSUE BT TSO |

| |
|---|
| A |
|---|

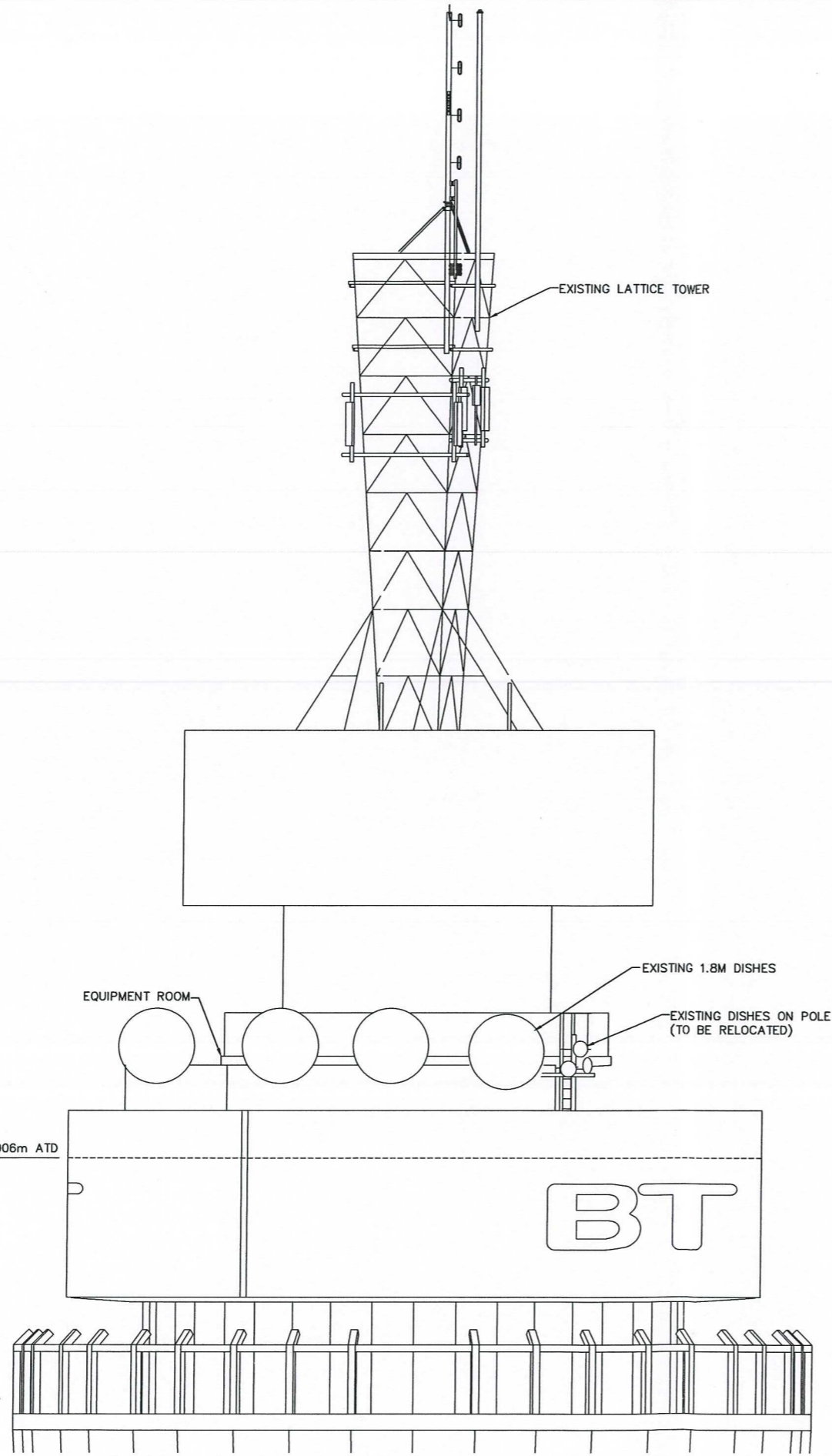
LONDON TELECOM TOWER
PROPOSAL FOR
1X 1.8M DIAMETER DISH AERIAL
FACING 267 DEGREES E.T.N
AT 167M

| |
|--------------|
| REFERENCES |
| SHT 02 OF 03 |

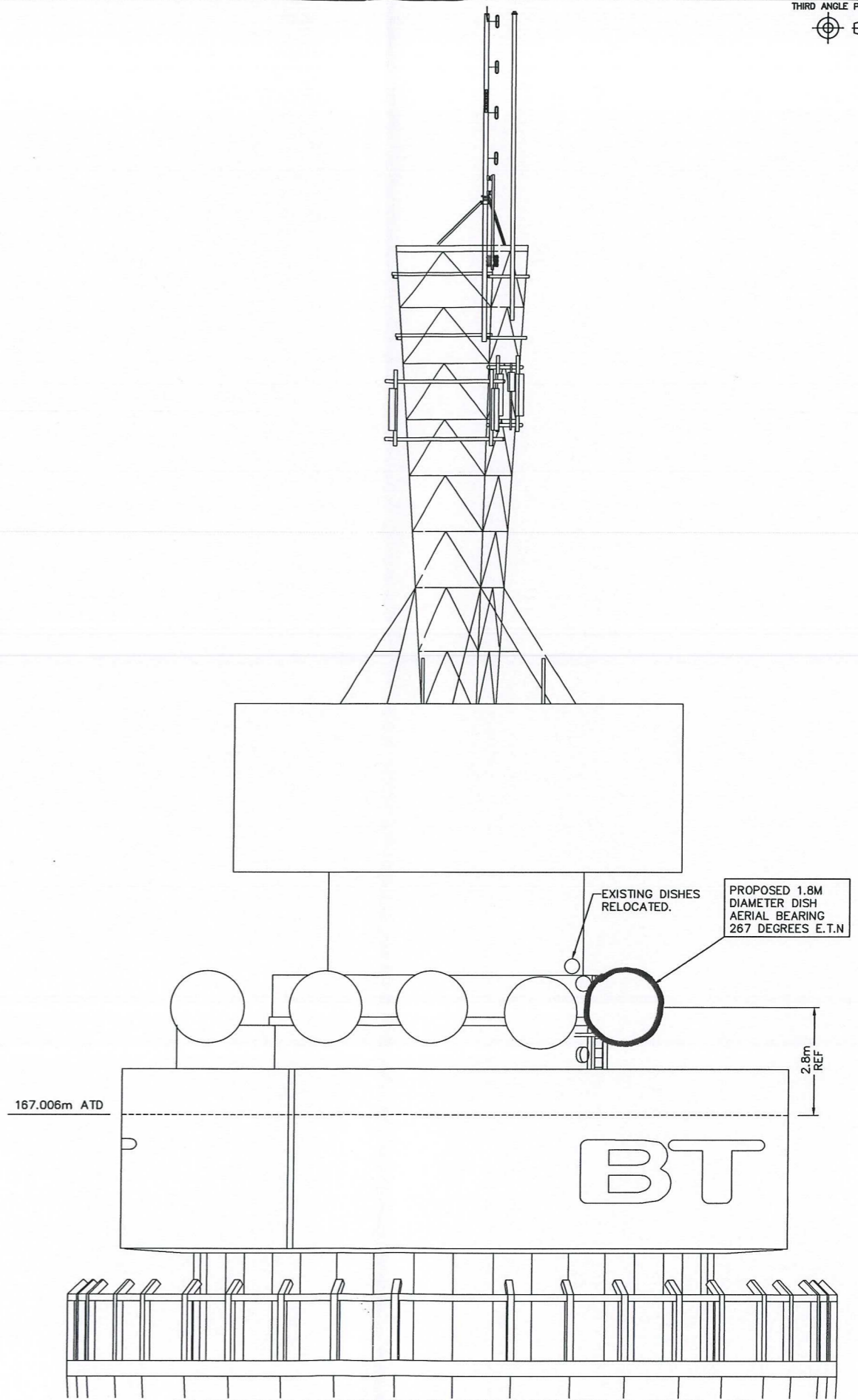
ML4004795S02



ELEVATION VIEW OF TOWER FACING WEST
SCALE 1:300



ENLARGED PART ELEVATION VIEW OF TOWER FACING WEST AT 167.006m ATD
SHOWING EXISTING AERIALS
SCALE 1:50



ENLARGED PART ELEVATION VIEW OF TOWER FACING WEST AT 167.006m ATD
SHOWING PROPOSED AERIAL
SCALE 1:50

DIMENSIONS IN mm UNLESS OTHERWISE STATED

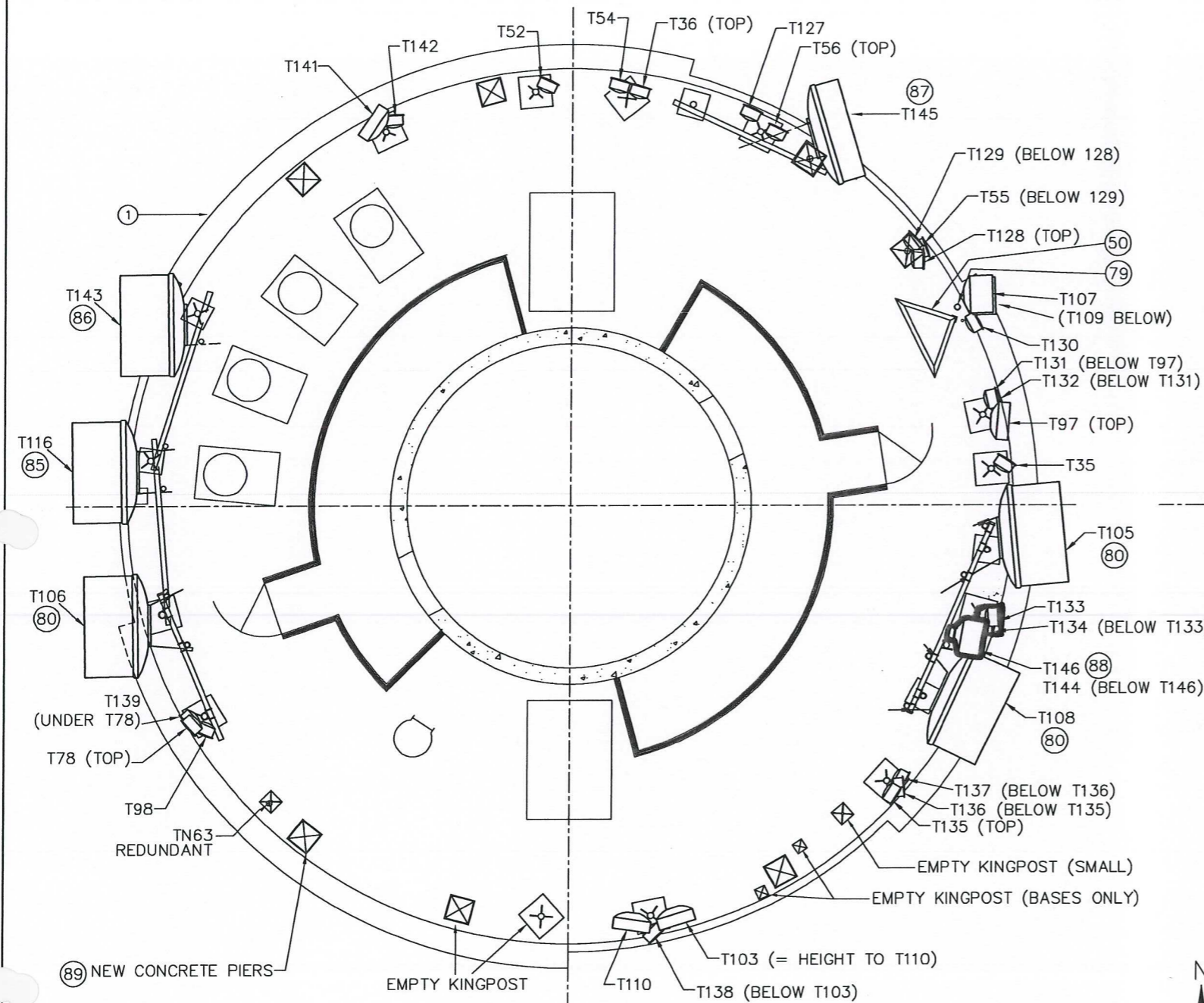
© British Telecommunications plc 2015

DO NOT SCALE

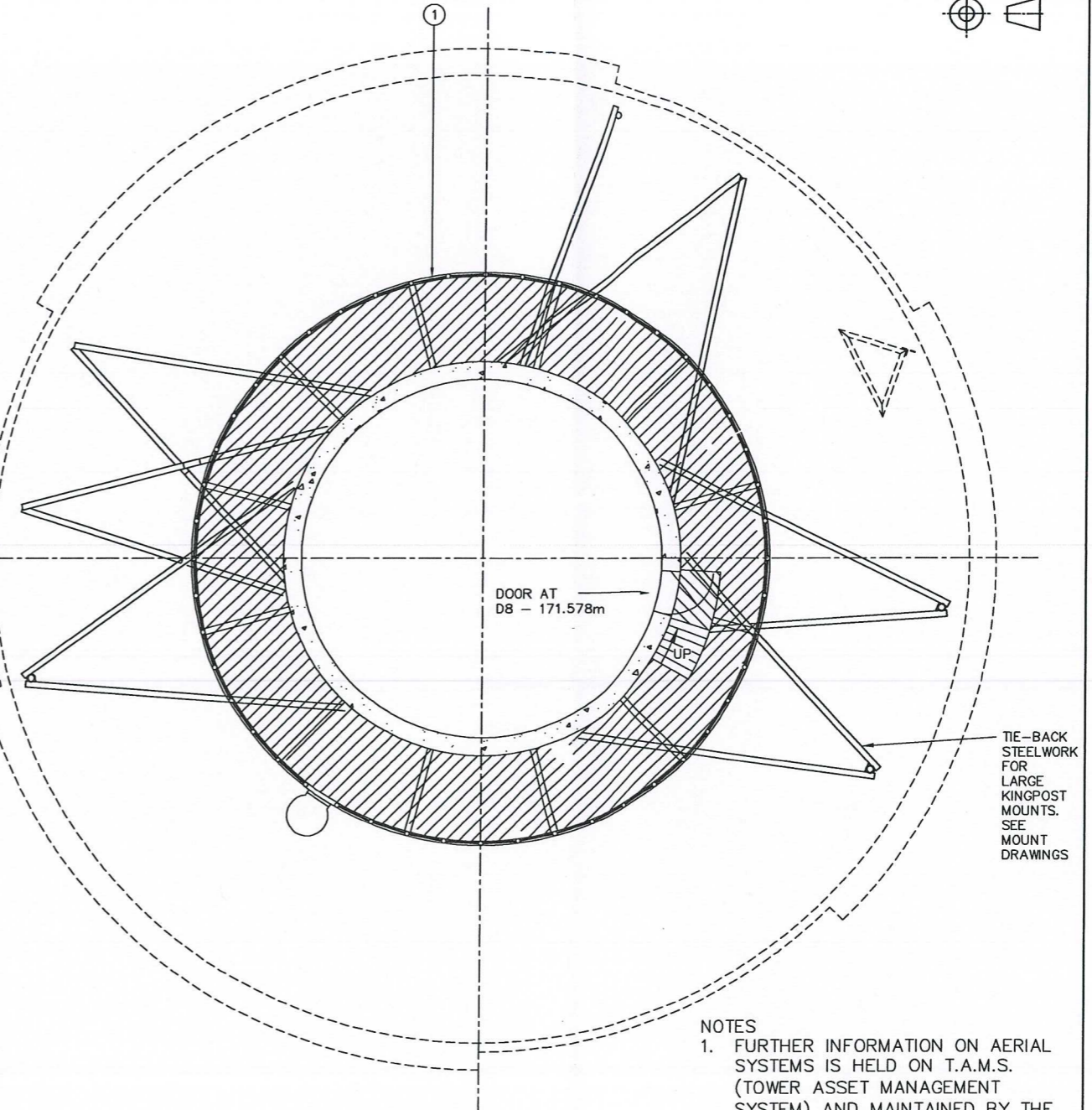
ORIGINAL SCALE AS SHOWN

| | | |
|----------|------------------------|--|
| AO A1 | DRN S.A.D CKD | ANY MODIFICATION TO THE DRAWING OR THE USE OF ALTERNATIVE ITEMS TO THOSE SPECIFIED MUST BE AGREED WITH THE DESIGNER. |
| | CERTIFICATION DESIGNER | |
| | CLIENT A.MILLER | |
| | DATE 22/01/15 | |

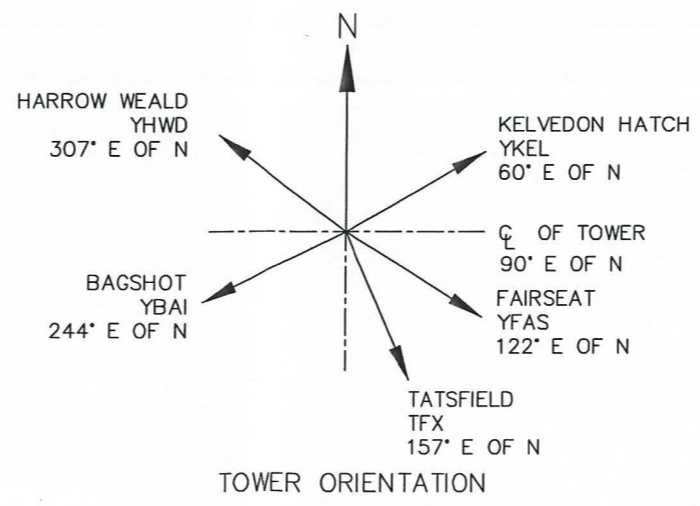
| | | | | |
|-----------|--|-------|--|-------------------------------------|
| MATERIAL | | A | LONDON TELECOM TOWER PROPOSAL FOR 1X 1.8M, DIAMETER DISH AERIAL FACING 267 DEGREES E.T.N AT 167M LEVEL | REFERENCES |
| FINISH | | | | |
| AMENDMENT | | ISSUE | BT T50 | UK RSDD WL 4004795 SHT 03 OF 03 |



PLAN AT 167.006m ATD
D7 - T37



PLAN AT 169.420m ATD



TOWER ORIENTATION

- NOTES
- FURTHER INFORMATION ON AERIAL SYSTEMS IS HELD ON T.A.M.S. (TOWER ASSET MANAGEMENT SYSTEM) AND MAINTAINED BY THE DRAWING OFFICE, PHONE : 0141 220 7123 FOR MORE INFORMATION.
 - AERIALS ON SITE MUST BE CODED TO ISIS DOCUMENT TMN/RSM/B132.
 - STEELWORK USED TO TIE BACK MOUNTS TO COLUMN BANDS HAS NOT BEEN SHOWN ON THIS DRAWING. REFER TO INDIVIDUAL MOUNT DRAWINGS FOR DETAILS OF TIE-BACKS (STABILISER) STEELWORK.
 - FOR MOST KINGPOST MOUNTS, STEELWORK DETAILS CAN BE FOUND ON DRAWING WL210305. OTHERWISE WL DRG NO. UNKNOWN.

DIMENSIONS IN mm UNLESS OTHERWISE STATED

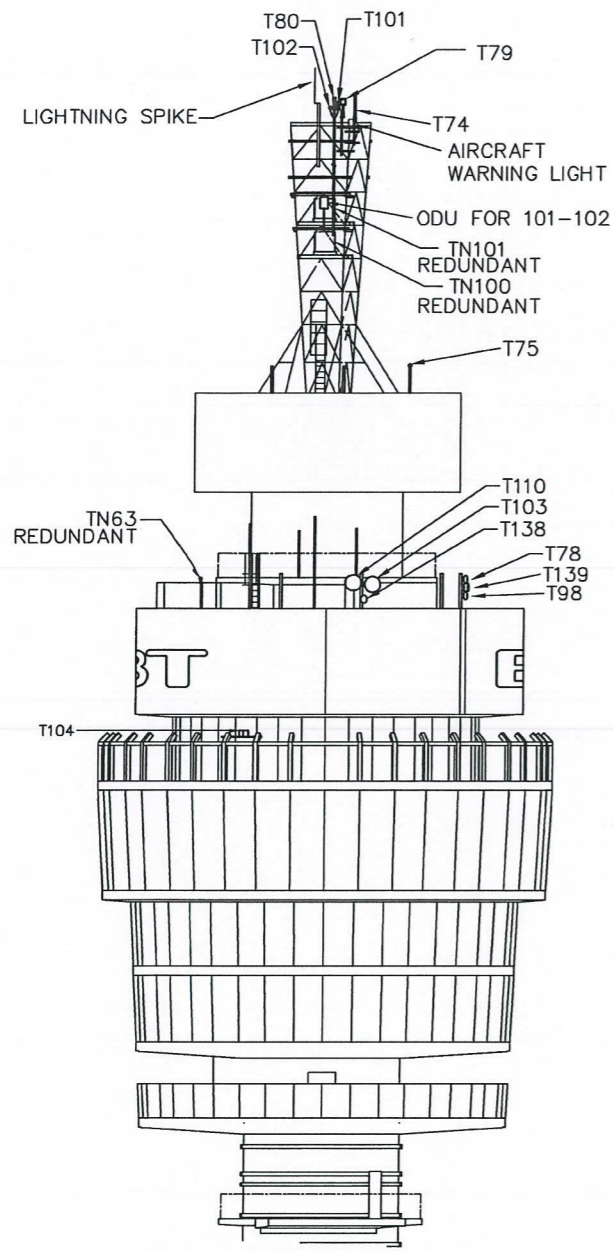
© British Telecommunications plc 1996

DO NOT SCALE

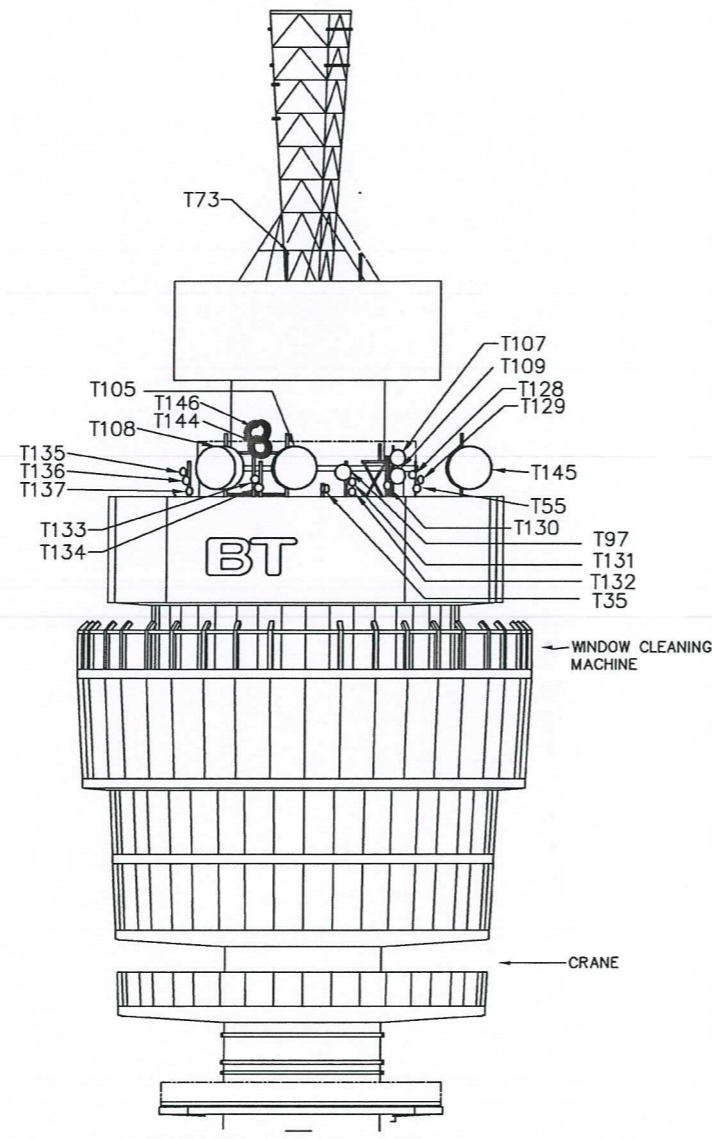
ORIGINAL SCALE 1:50

| | | | | | | | |
|---------------|---------------------------|--|----------|--|------------------|--|------------------------|
| A1 A2 | DRN HD (PIPCO) CKD | ANY MODIFICATION TO THE DRAWING OR THE USE OF ALTERNATIVE ITEMS TO THOSE SPECIFIED MUST BE AGREED WITH THE DESIGNER. | MATERIAL | UPDATED FROM TAMS INFO. AIR CONDITIONING CAGING REMOVED. TIE BACK BRACING ADDED. | F | LONDON TELECOM TOWER GENERAL ARRANGEMENT OF TOWER PLANS | REFERENCES |
| | CERTIFICATION DESIGNER | | FINISH | | | | LAST SURVEY 18/09/12 |
| DATE 29/08/96 | CLIENT | | | S.A.D 22/08/13 | ISSUE BT OPERATE | ABE3AI | WL 300808 SHT 08 OF 12 |

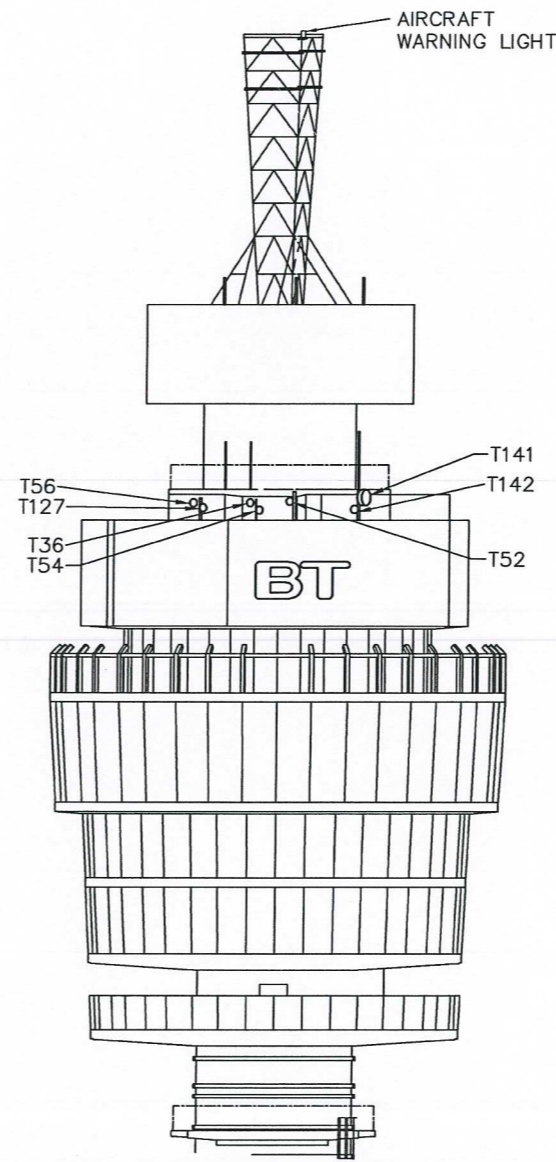
WL300808S8



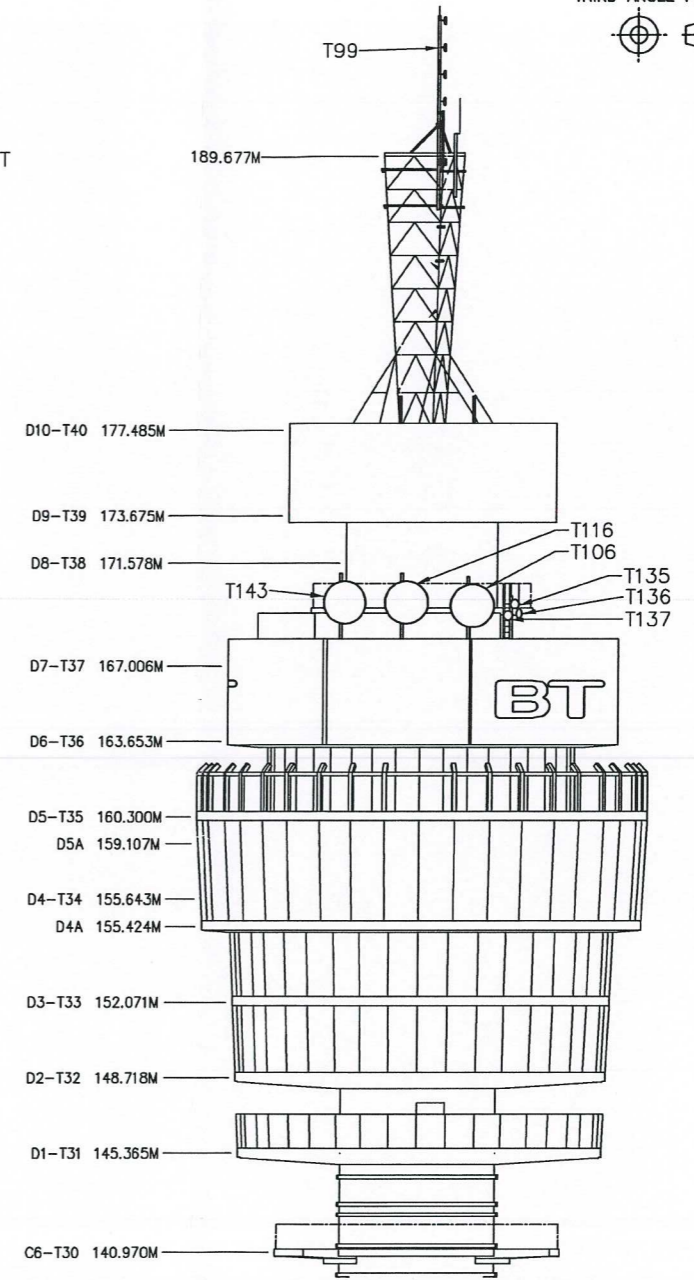
ELEVATION FACING SOUTH



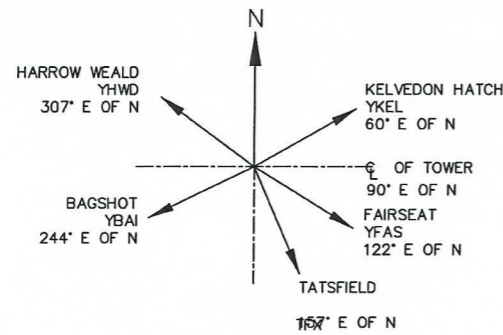
ELEVATION FACING EAST



ELEVATION FACING NORTH



ELEVATION FACING WEST



TOWER ORIENTATION

NOTES

1. FURTHER INFORMATION ON AERIAL SYSTEMS IS HELD ON T.A.M.S. (TOWER ASSET MANAGEMENT SYSTEM) AND MAINTAINED BY THE DRAWING OFFICE, PHONE : 0141 220 7123 FOR MORE INFORMATION.
2. AERIALS ON SITE MUST BE CODED TO ISIS DOCUMENT TMN/RSM/B132.
3. STEELWORK USED TO TIE BACK MOUNTS TO COLUMN BANDS HAS NOT BEEN SHOWN ON THIS DRAWING. REFER TO INDIVIDUAL MOUNT DRAWINGS FOR DETAILS OF TIE-BACKS (STABILISER) STEELWORK.
4. FOR MOST KINGPOST MOUNTS, STEELWORK DETAILS CAN BE FOUND ON DRAWING WL210305. OTHERWISE WL DRAWING NO. UNKNOWN.

DIMENSIONS IN mm UNLESS OTHERWISE STATED

© British Telecommunications plc 1996

DO NOT SCALE

ORIGINAL SCALE 1:150

| | | | | | | | |
|----------|------------------------|--|----------|--|------------|---|--------------|
| A1 A2 | DRN HD (PIPCO) | ANY MODIFICATION TO THE DRAWING OR THE USE OF ALTERNATIVE ITEMS TO THOSE SPECIFIED MUST BE AGREED WITH THE DESIGNER. | MATERIAL | UPDATED FROM TAMS INFO. HEIGHTS ADDED TO EACH LEVEL. | F | LONDON TELECOM TOWER GENERAL ARRANGEMENT OF TOWER ELEVATIONS No2 | REFERENCES |
| | CKD | | FINISH | S.A.D | | | |
| | CERTIFICATION DESIGNER | | | 22/08/13 | BT OPERATE | ABE3AI | WL 300808 |
| | CLIENT | | | AMENDMENT | | | SHT 03 OF 12 |

DATE 29/08/96

WL300808S3