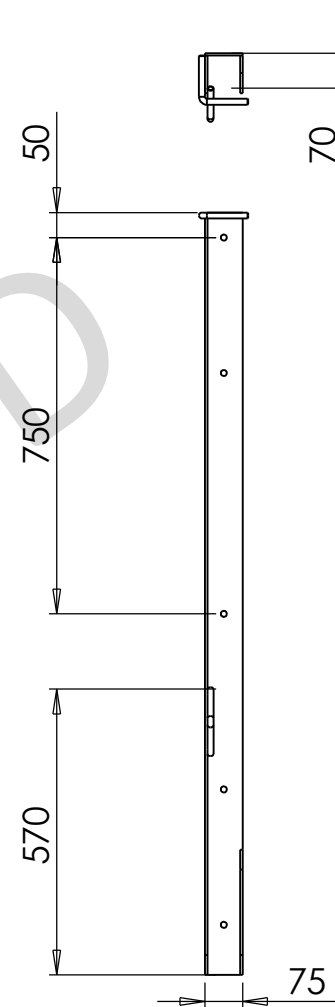
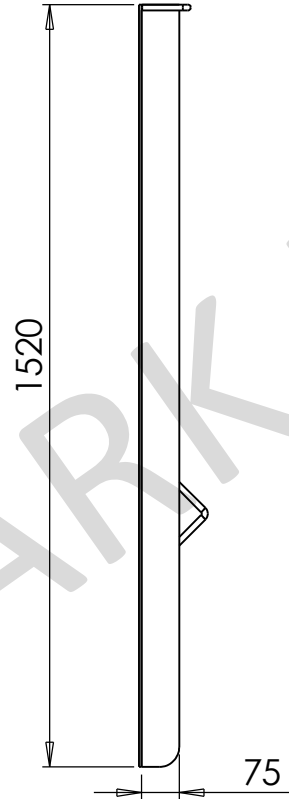
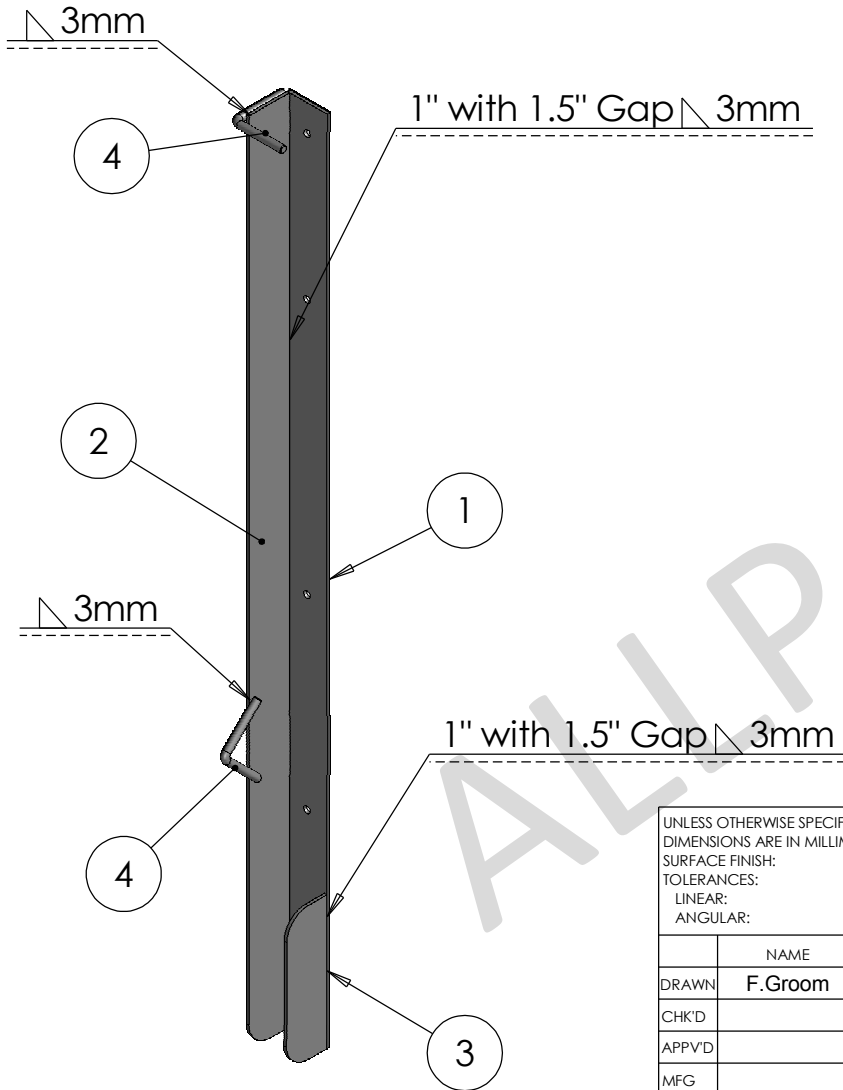


ITEM NO.	PART NUMBER	DESCRIPTION	QTY.
1	A BSV 02-003	Backplate	1
2	A BSV 02-002	Side Support Plate	1
3	A BSV 02-001	Lower Support Plate	1
4	A BSV 02-004	Lock Loop	2



UNLESS OTHERWISE SPECIFIED: DIMENSIONS ARE IN MILLIMETERS SURFACE FINISH: TOLERANCES: LINEAR: ANGULAR:			FINISH: Grey Primer Finish (ready for Painting)		DEBUR AND BREAK SHARP EDGES
DRAWN	F.Groom	SIGNATURE	DATE	THIS DRAWING IS ISSUED SOLELY ON THE UNDERSTANDING THAT IT IS COPYRIGHT AND TO BE REGARDED AS CONFIDENTIAL. IT MUST NOT BE USED OR REPRODUCED WITHOUT PRIOR CONSENT OF THE ABOVE COMPANY.	
CHK'D			11/03/09	 3rd Angle Projection	
APPVD					
MFG					
Q.A					
			MATERIAL: Low Carbon Steel		
			WEIGHT: 10 Kgs		

DO NOT SCALE DRAWING		REVISION	
ALLPARK Ltd. Apex Business Park Shorne DA12 3HU			
TITLE: ELTHAM RACK Vertical Bike Stand (with Lock Loop)			
DWG NO. A BSV 02		A4	
SCALE:1:15		SHEET 1 OF 1	