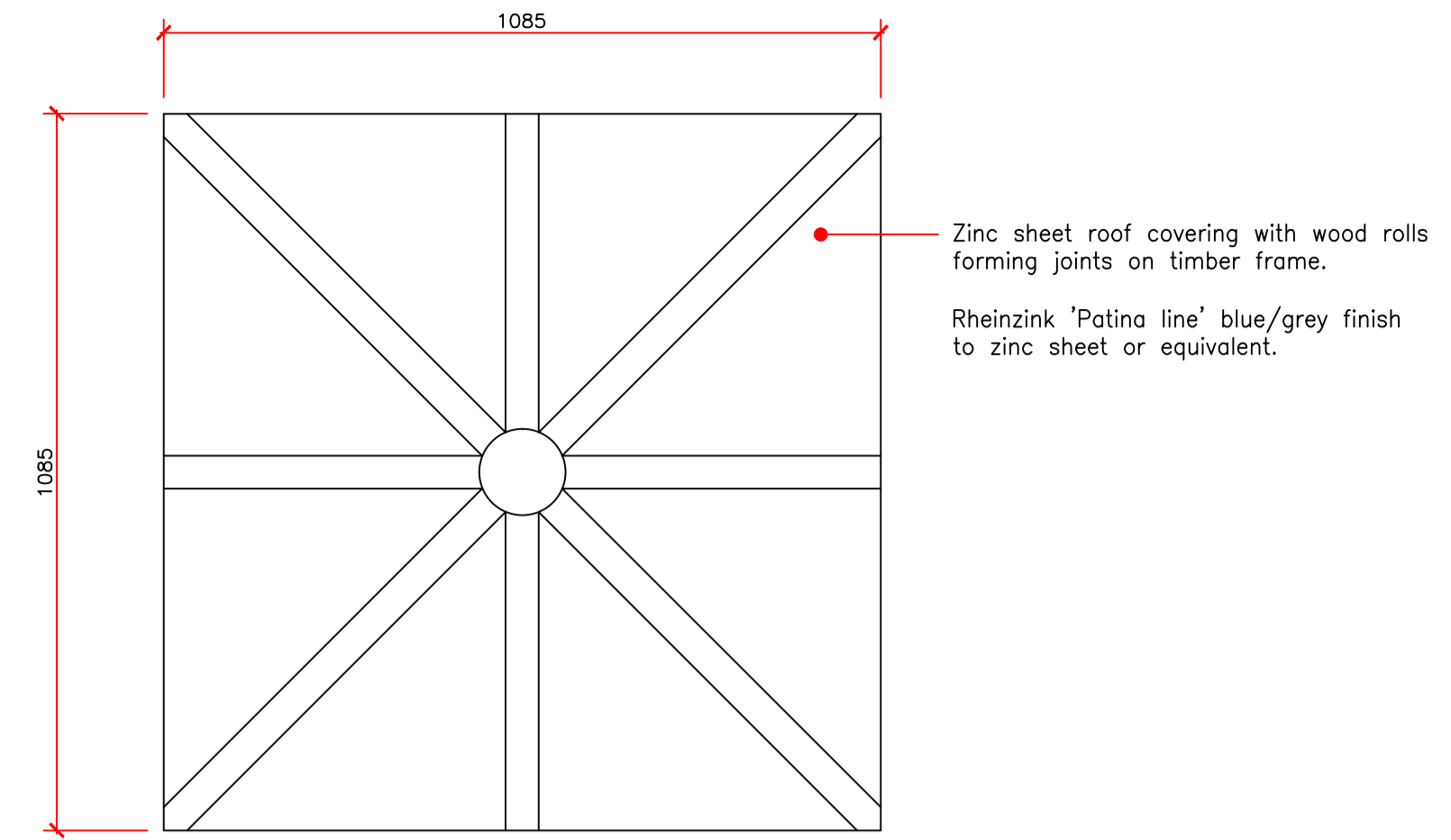
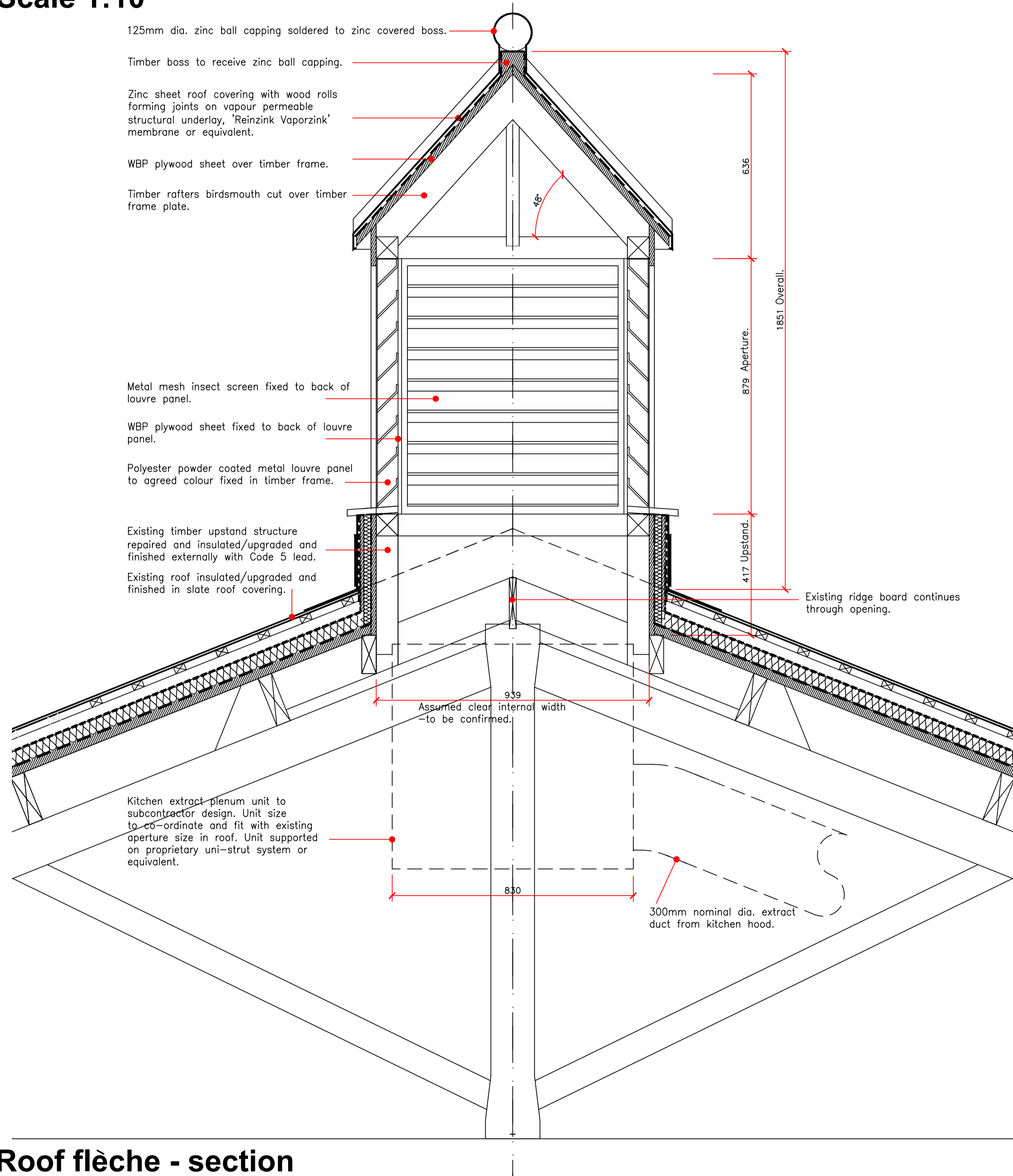


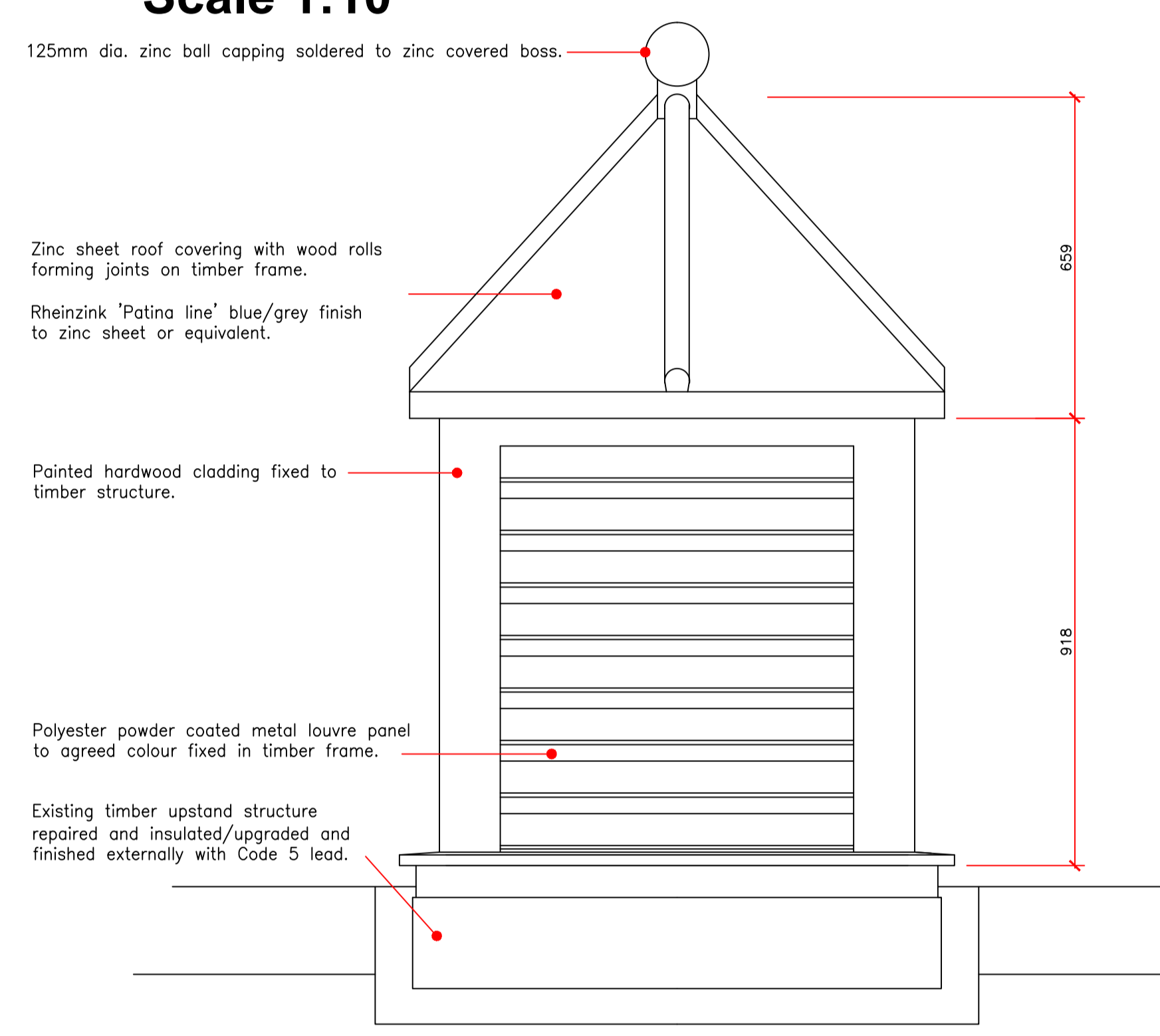
Roof flèche - plan
Scale 1:10



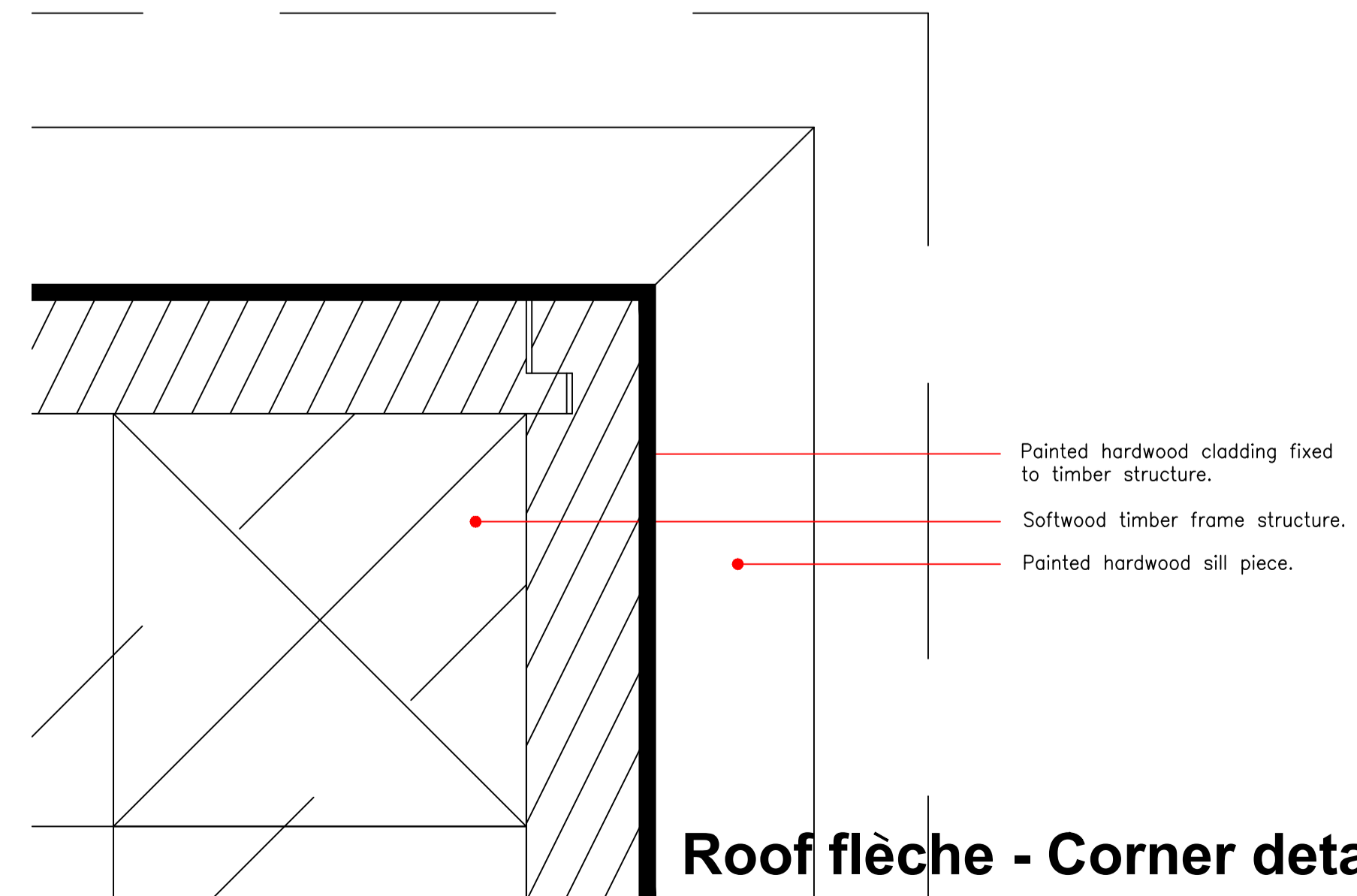
Roof flèche - roof plan
Scale 1:10



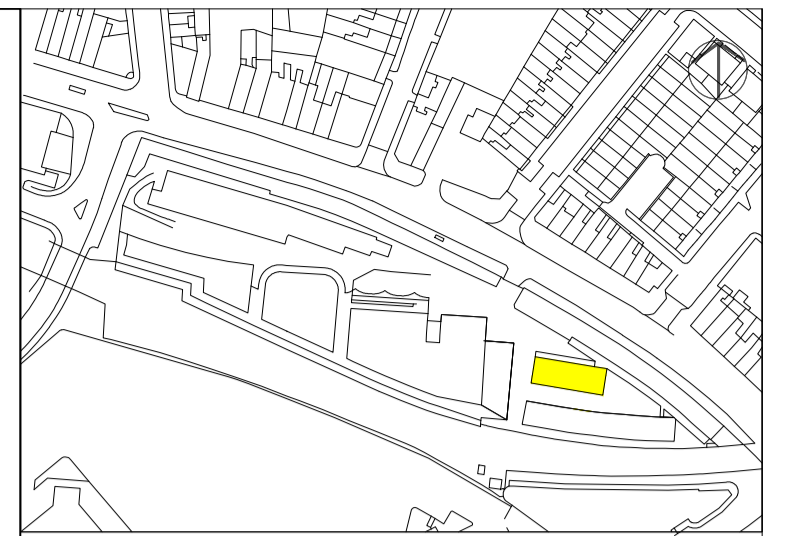
Roof flèche - section
Scale 1:10



Roof fleche - Elevation
Scale 1:10



Roof flèche - Corner detail A
Scale 1:1



Please note that information used to produce these drawings is based on measured survey supplied by others; Heritage Architecture can not be held responsible for any inaccuracies that may exist. Please do not scale drawings. All dimensions should be verified on site.

Camden Stables Market
London
NW1
United Kingdom

STANLEY SIDINGS LTD

Camden Stables Market
LONG STABLE (BLOCK C)

Drawing Title
Roof Works - Flèche Details

Scale 1:10 / 1:1 @ A1

Drawing Status
Planning & Listed Building Consent

February 2015 Drawing No
C-Sch REP- 02



STEPHEN LEVRANT HERITAGE ARCHITECTURE
62 British Grove, London, W4 2NL
E-mail: info@heritagemail.co.uk