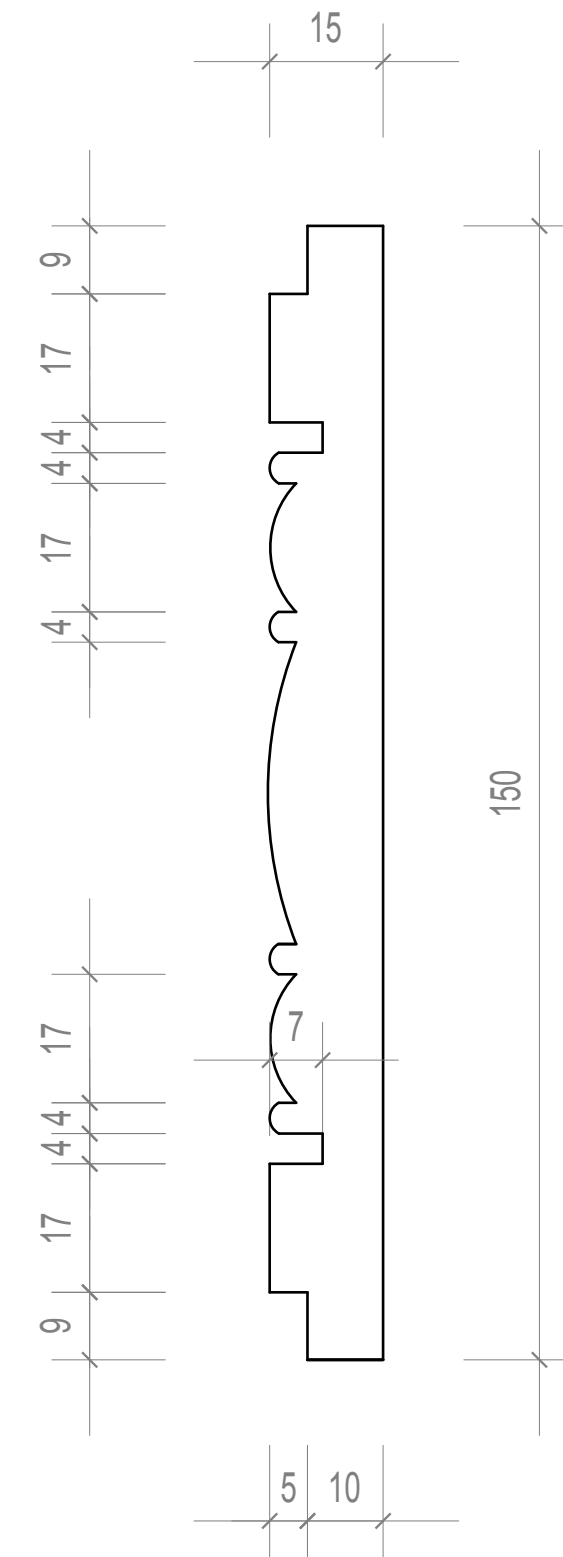


# Ceiling plate CP 01



Client <b>SHALIMAR INVESTORS LTD</b>	Drawing Number HB-06	Rev. B	Date June 2014	Title GF - Ceiling Plate - CP 01
Job <b>41 &amp; 42 CHESTER TERRACE</b>	Job Number N1915	Drawn By	Scale 1:1 @A2	Note: Please note that information used to produce these drawings is based on measured survey supplied by others; Heritage Architecture can not be held responsible for any inaccuracies that may exist; Please do not scale drawing; All dimensions should be verified on site; Mouldings construction and fixings by Manufacturer; Manufacturer to provide profiles for inspection before production; Internal wall lining detail by MMM.



**STEPHEN LEVRANT HERITAGE ARCHITECTURE**  
 62 British Grove, Chiswick, London 2NL  
 Telephone : 0208 748 5501 Fax: 0208 748 4992