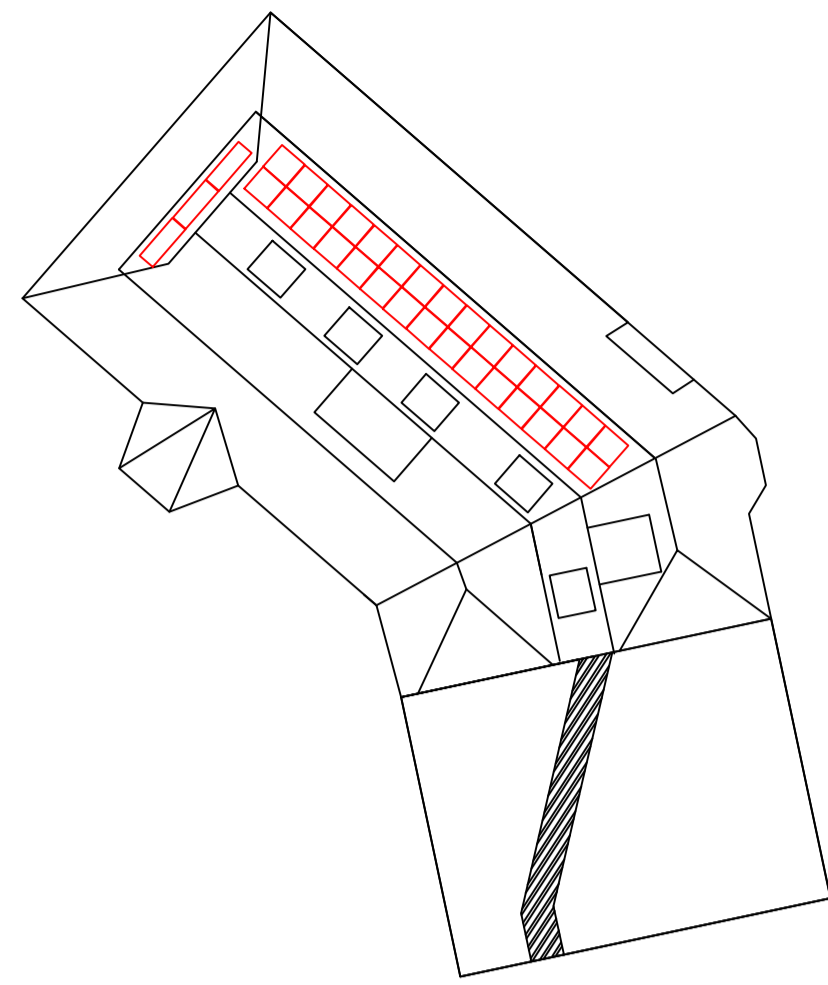
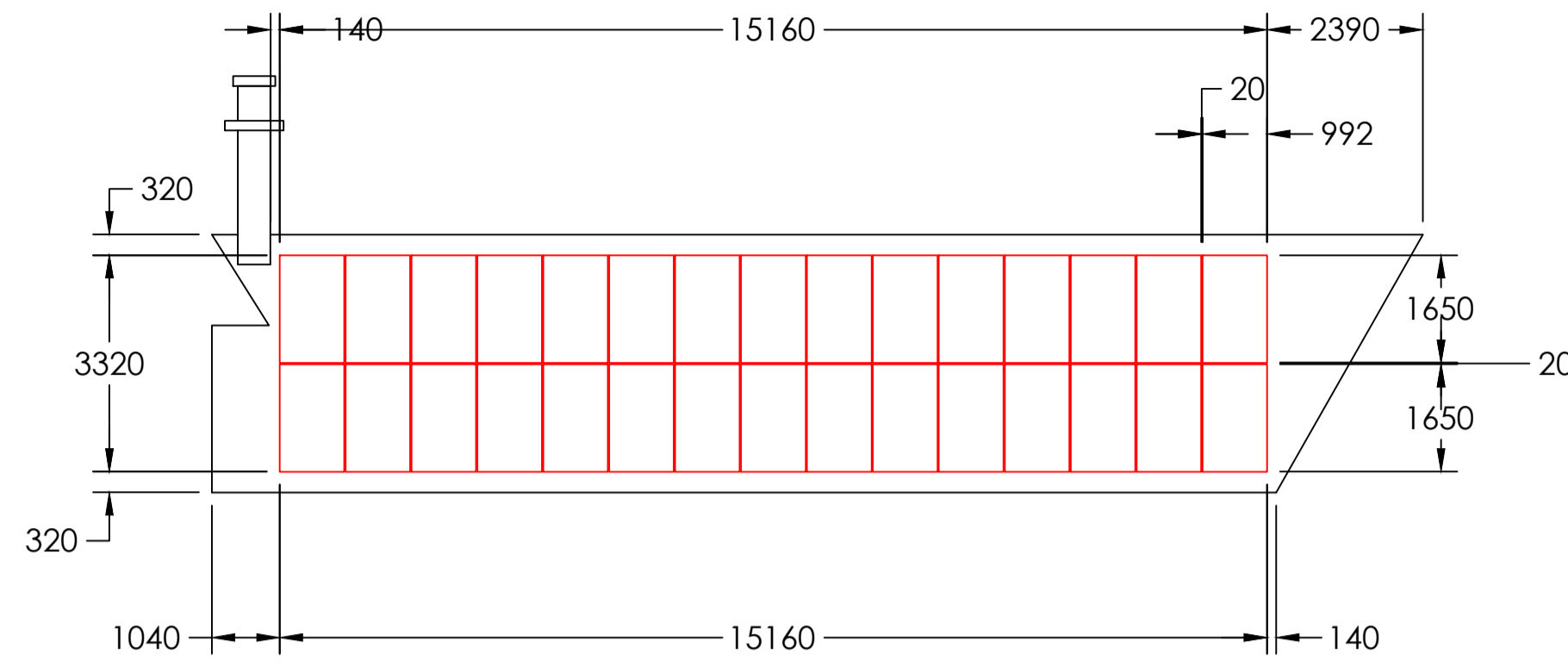


### PROPOSED ROOF PLAN PHASE 1



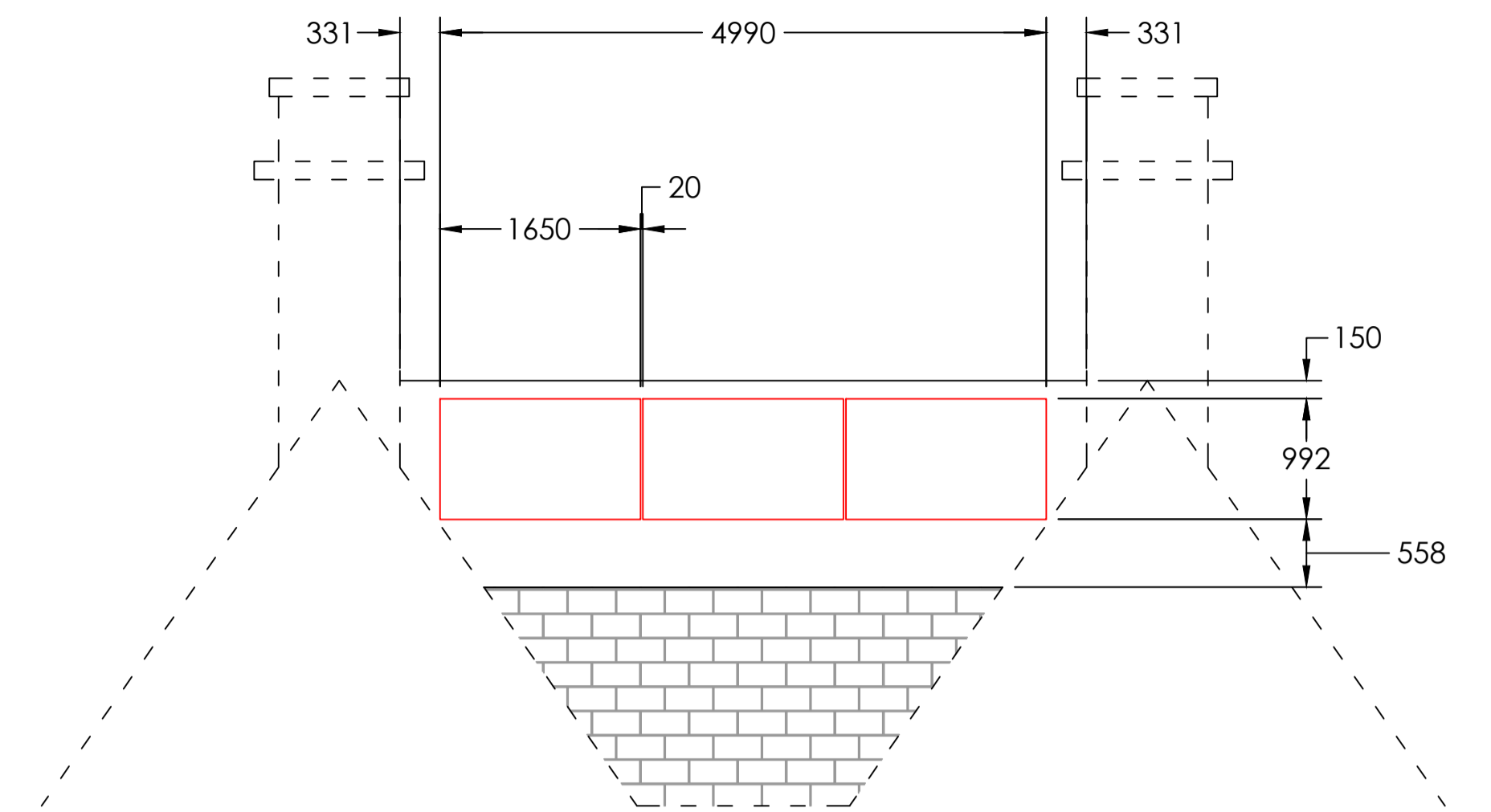
Scale - 1:250

### PROPOSED ROOF PLAN PHASE 1 ROOF A



Scale - 1:100

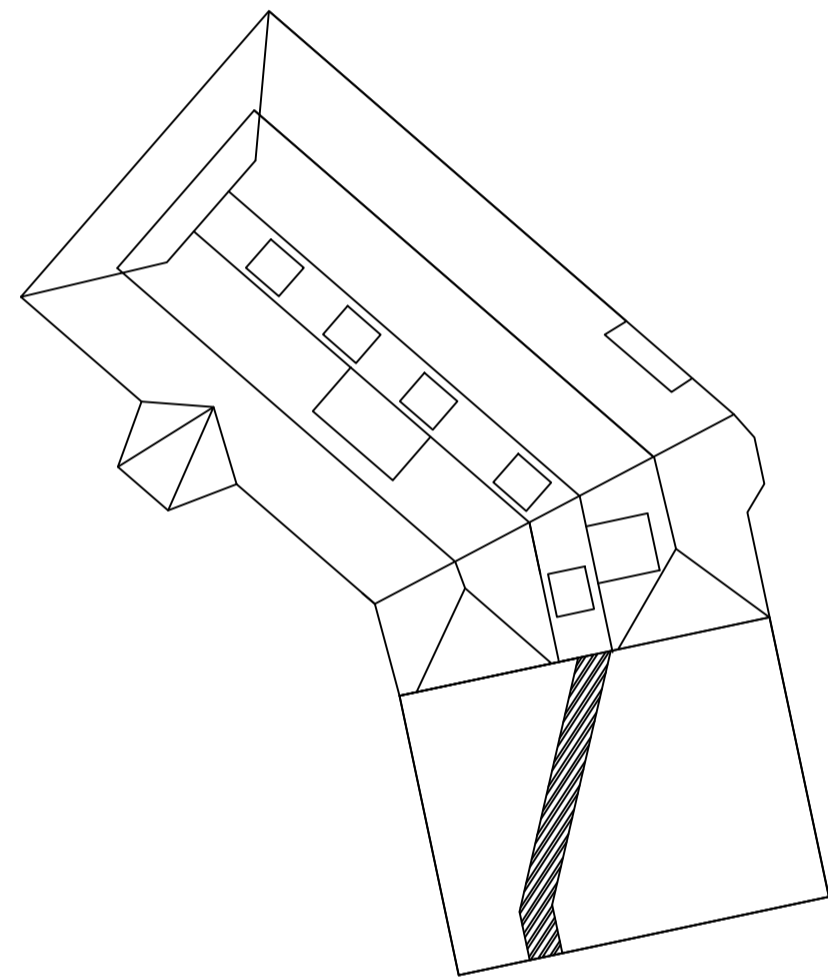
### PROPOSED ROOF PLAN PHASE 1 ROOF B



Scale - 1:50

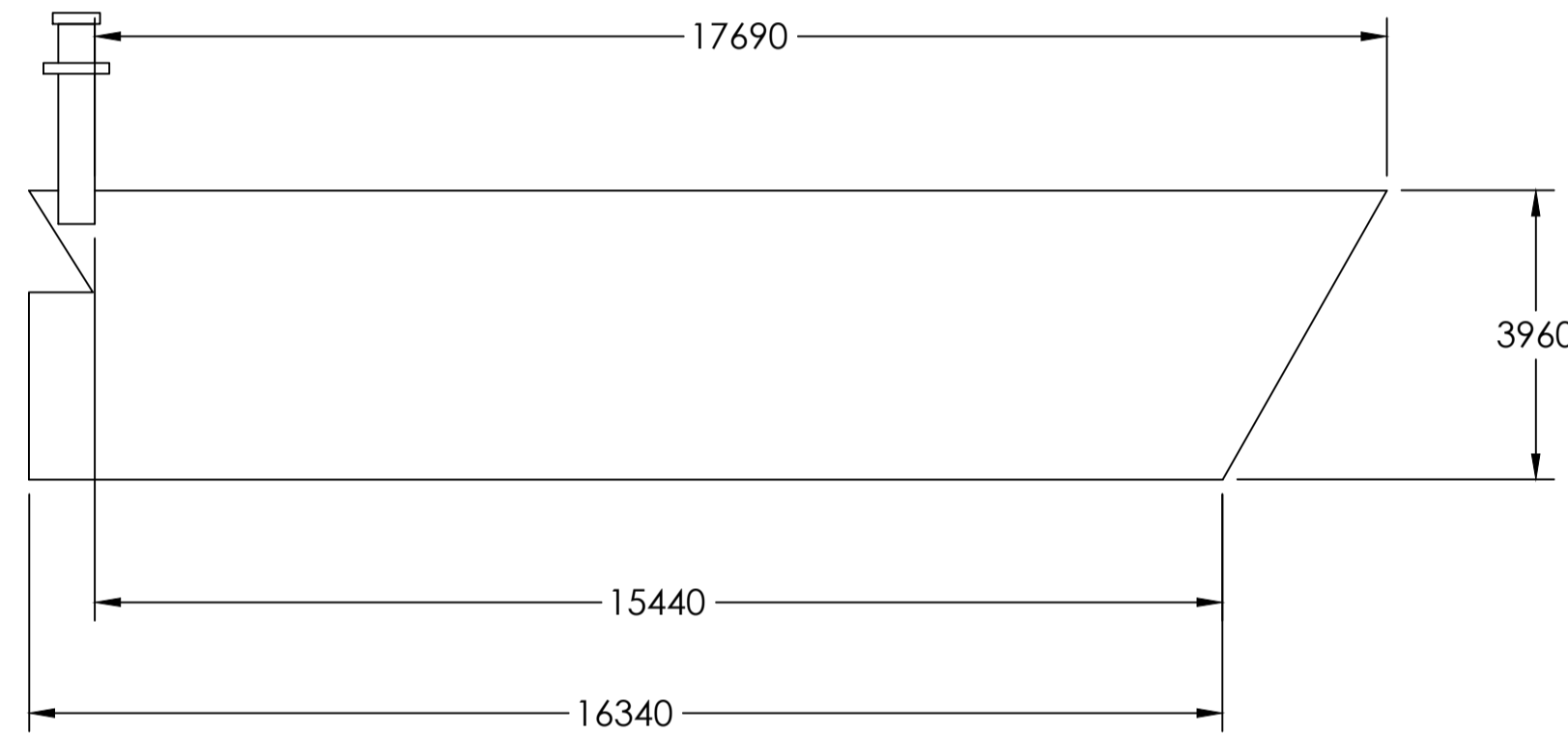


### EXISTING ROOF PLAN



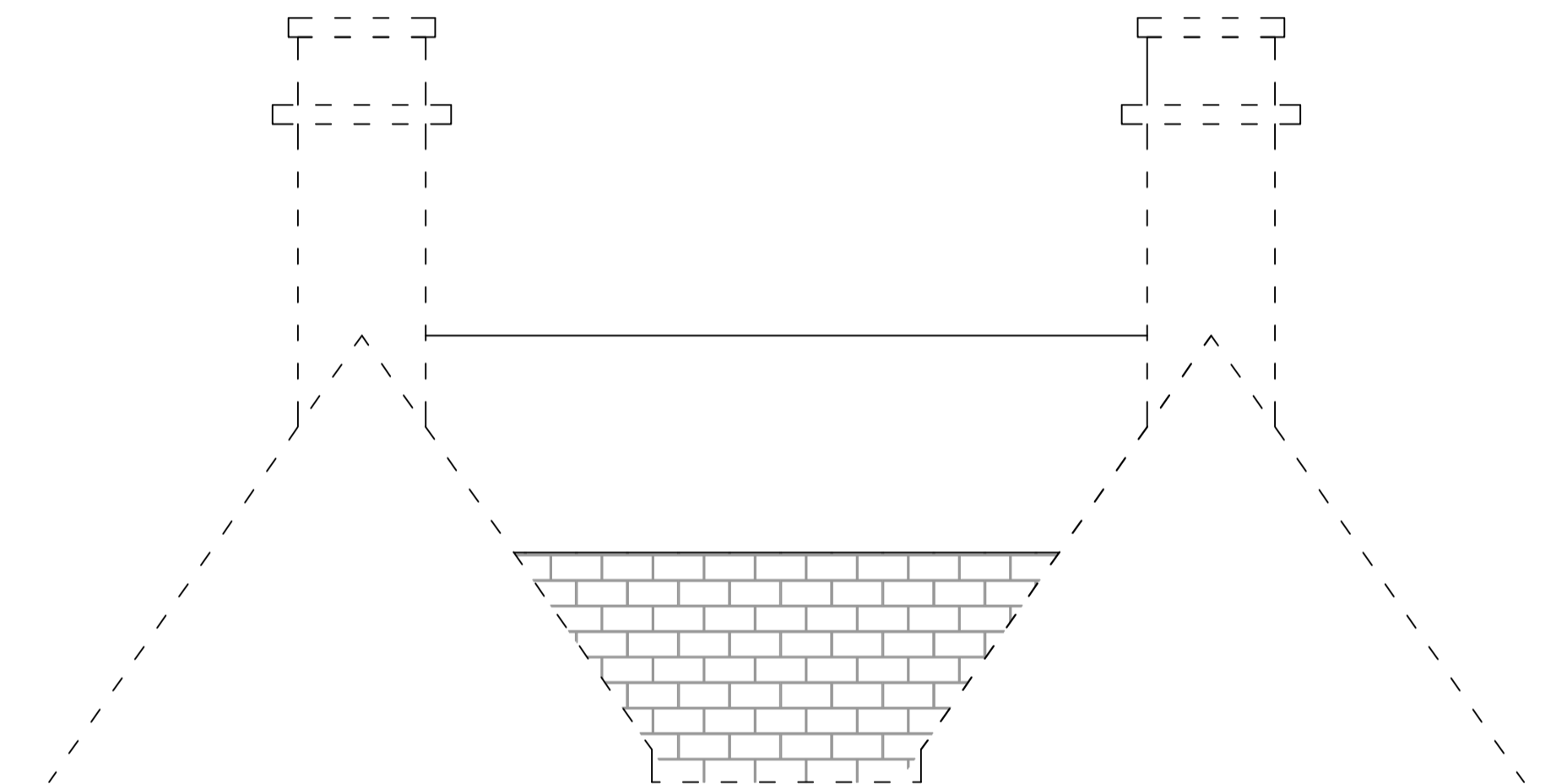
Scale - 1:250

### EXISTING ROOF PLAN PHASE 1 ROOF A



Scale - 1:100

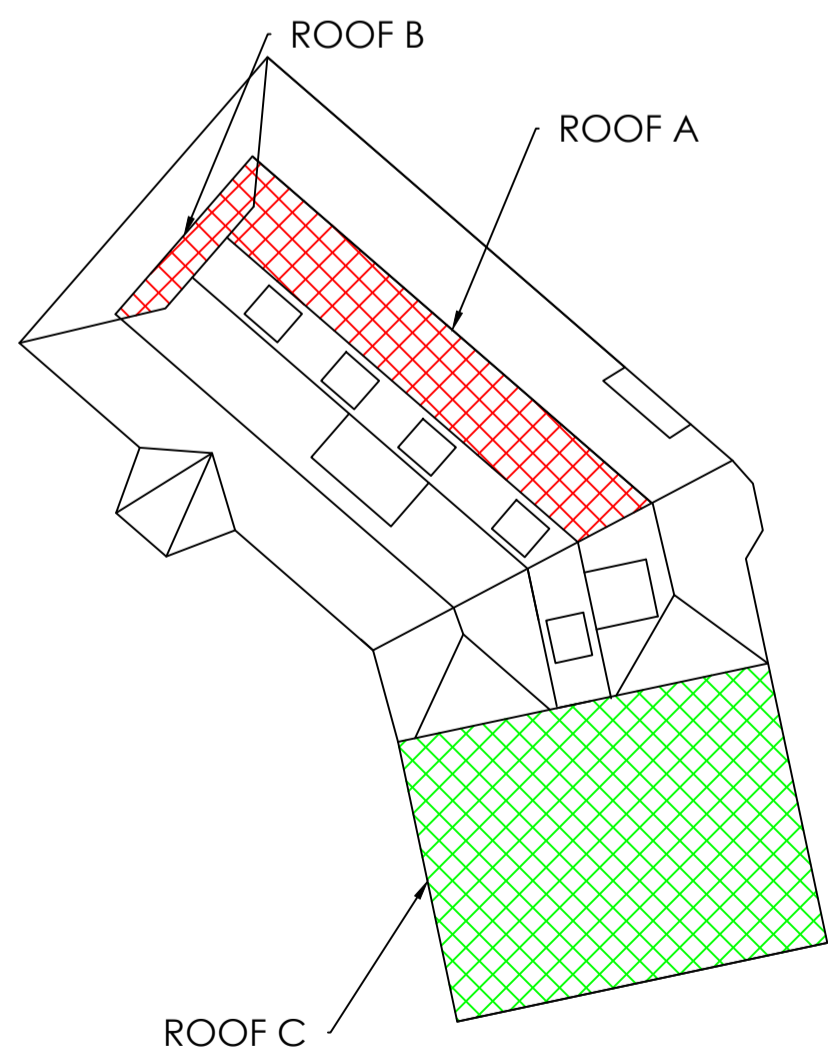
### EXISTING ROOF PLAN PHASE 1 ROOF B

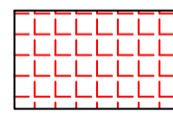
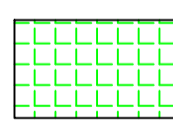


Scale - 1:50



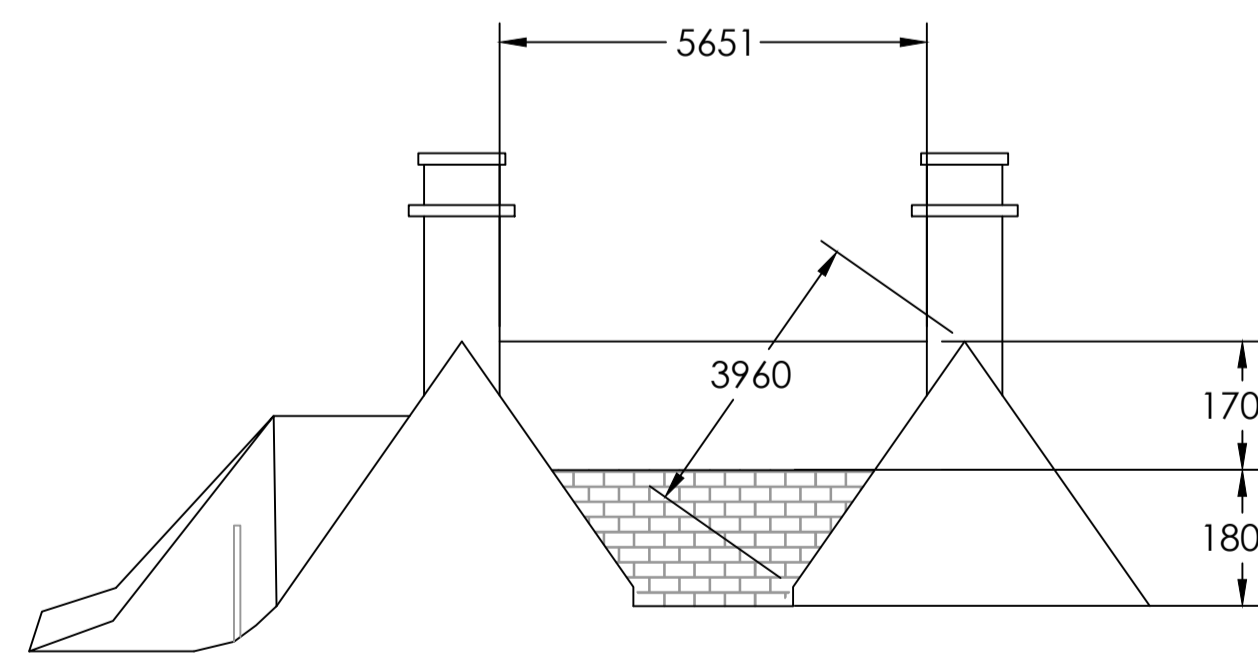
### PHASE KEY



-  **PHASE 1**  
ROOF A & B
-  **PHASE 2**  
ROOF C

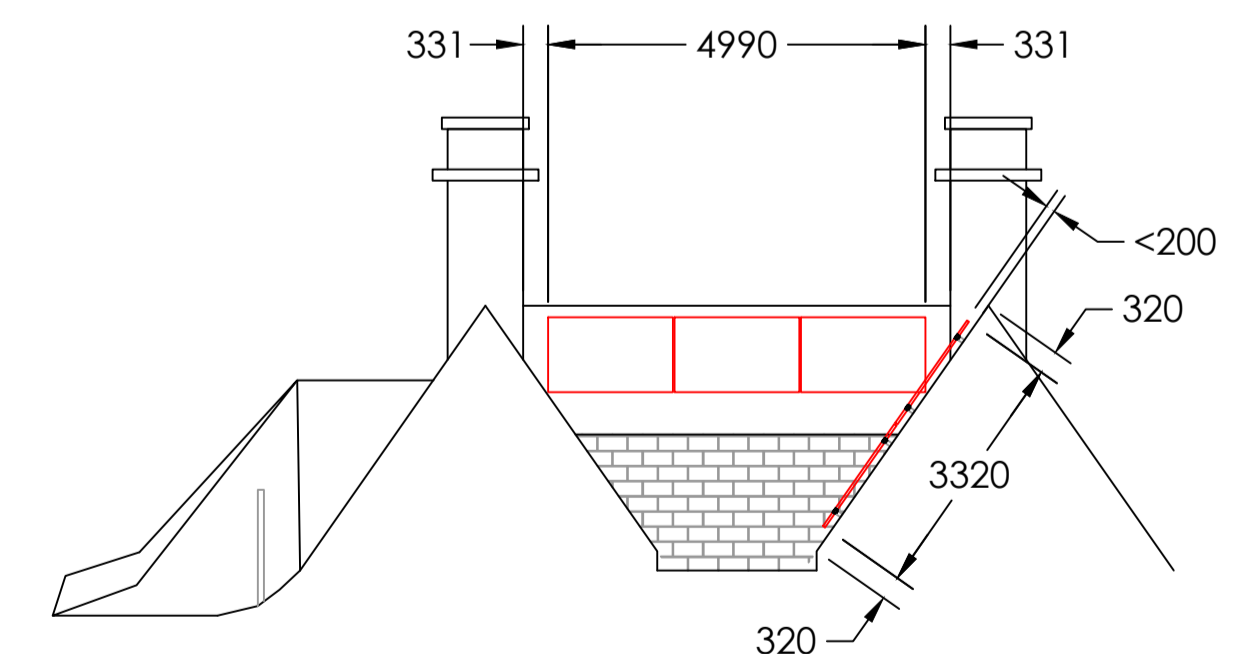
Scale - 1:250

### EXISTING SECTION PHASE 1 ROOF A & ROOF B



Scale - 1:100

### PROPOSED SECTION PHASE 1 ROOF A & ROOF B



Scale - 1:100

- USE MARKED DIMENSIONS
- DO NOT ALTER BY HAND
- THIS DRAWING IS TO BE READ IN CONJUNCTION WITH ALL OTHER RELEVANT DRAWINGS AND SPECIFICATIONS
- ALL DIMENSIONS ARE IN MILLIMETERS UNLESS STATED OTHERWISE

### SYSTEM DETAILS

- ROOF A** - 30 X TRINA SOLAR TSM-DC05A.08 270W modules (1650 X 992 X 35mm)
- ROOF B** - 3 X TRINA SOLAR TSM-DC05A.08 270W modules (1650 X 992 X 35mm)

REVA - PHASE 3  
REMOVED - 18/08/15

PROJECT <b>PR1205 - KONSTAM CC</b>	DRG NO. A1M-LHW-PR1205-KON-PH1-REVA
ADDRESS KONSTAM CHILDREN'S CENTRE 75 CHESTER ROAD LONDON, N19 5DH	SCALE 1:VAR
TITLE PHASE 1	SHEET 1/1
CHCKD JPH	ISSUED APPROVAL
APPRVD JPH	DATE 16/06/15



**LHW PARTNERSHIP**  
Luminous House  
300 South Row  
Milton Kenyes  
MK9 2FR  
Tel: 01908 933 750  
www.lhwp.co.uk