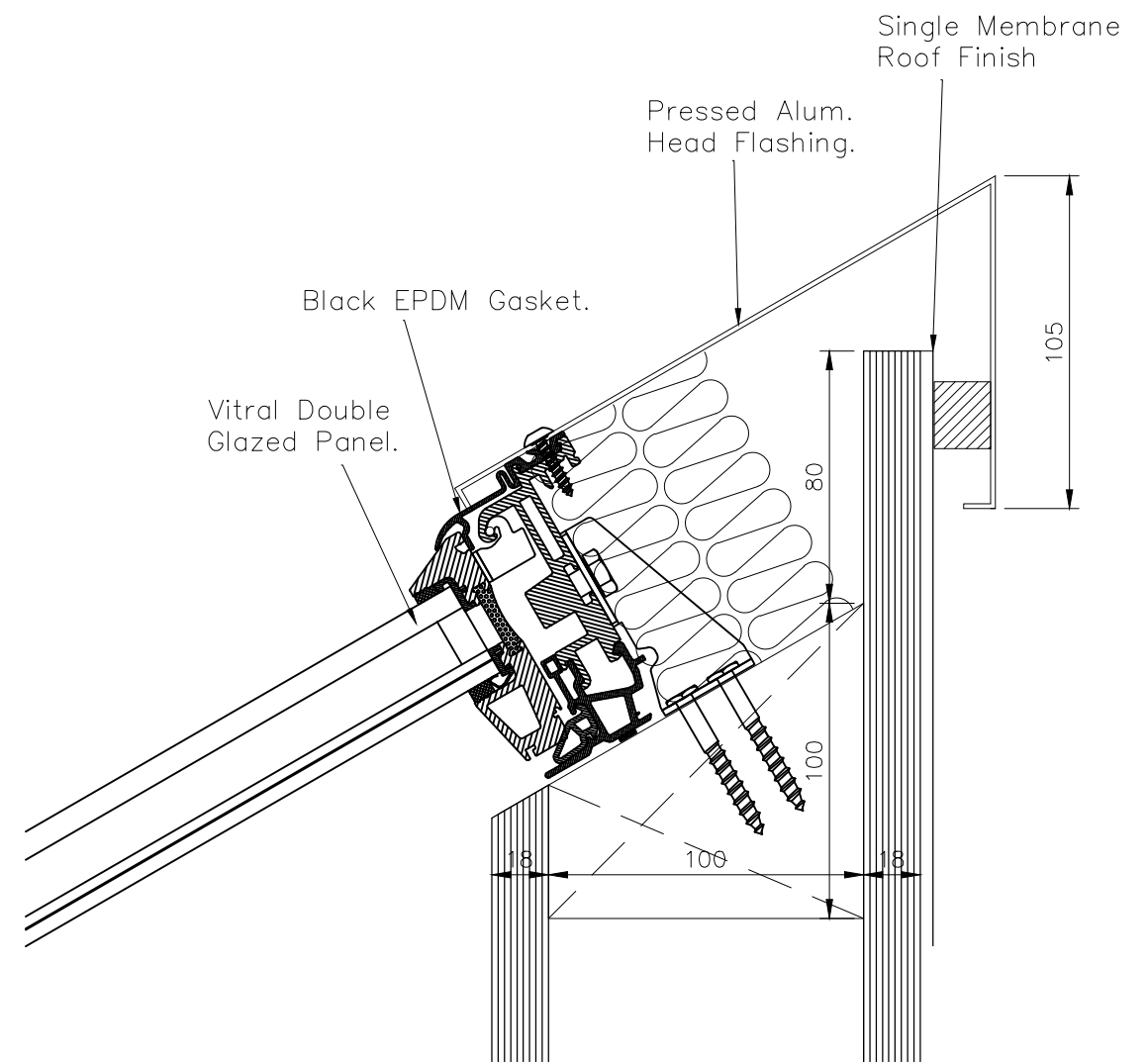
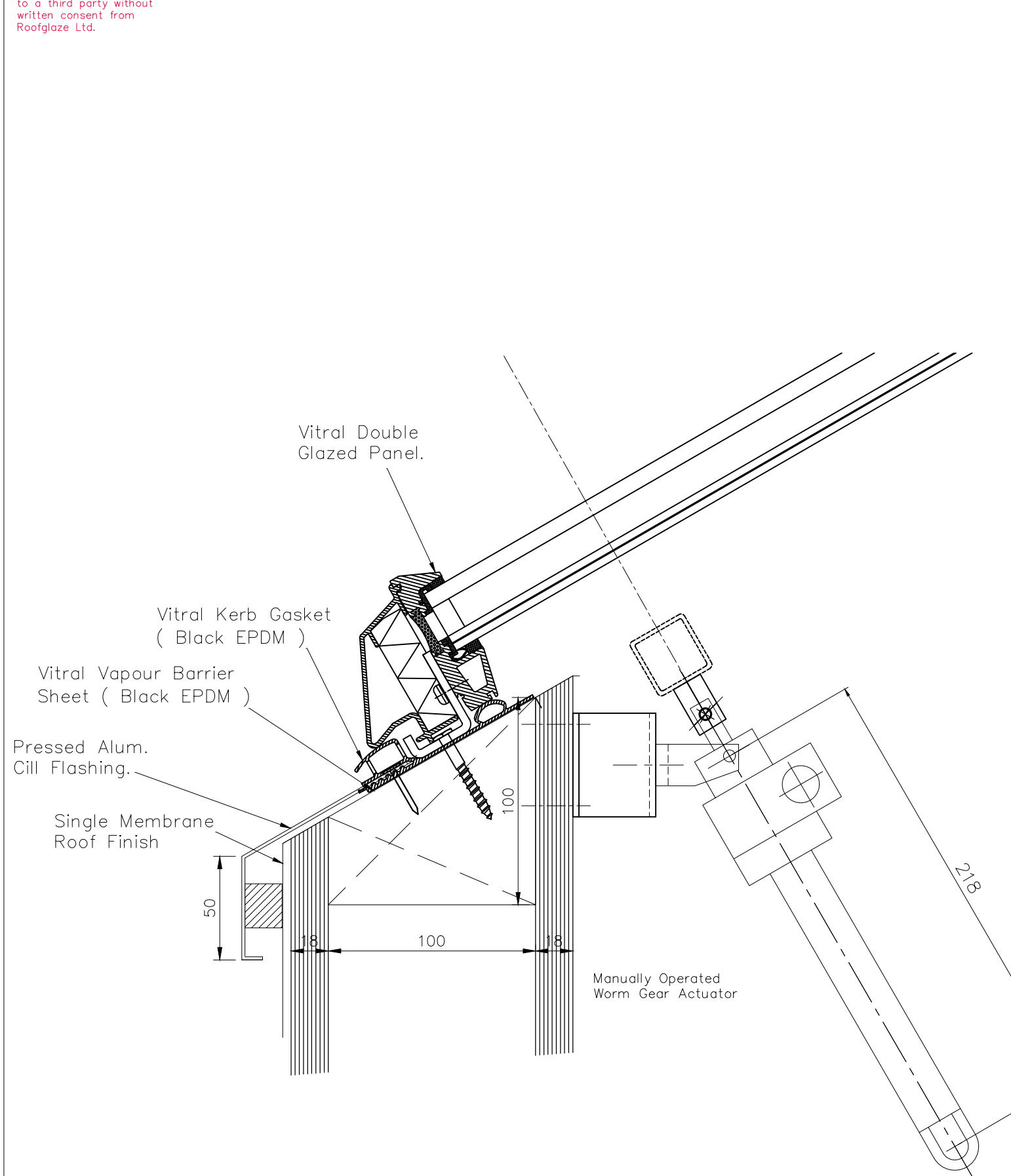


Note : This drawing MUST NOT be copied or passed to a third party without written consent from Roofglaze Ltd.



rev	description	date	by
Roofglaze			
11 Howard Road, Eaton Socon, St. Neots Cambridgeshire. PE19 8NU Tel : +44(0)1480 474797 Fax : +44(0)1480 474774 web site : www.roofglaze.co.uk			
architect			
client Bailey Garner			
contract New Project, Camden, London			
title 30° Mono Pitch Rooflight Kerb and Head Details			
drawn SFP	date 13-07-15	scale	checked
contracts no. 1000			
drawing no. 1000-10 sht 3 of 4 rev 1			