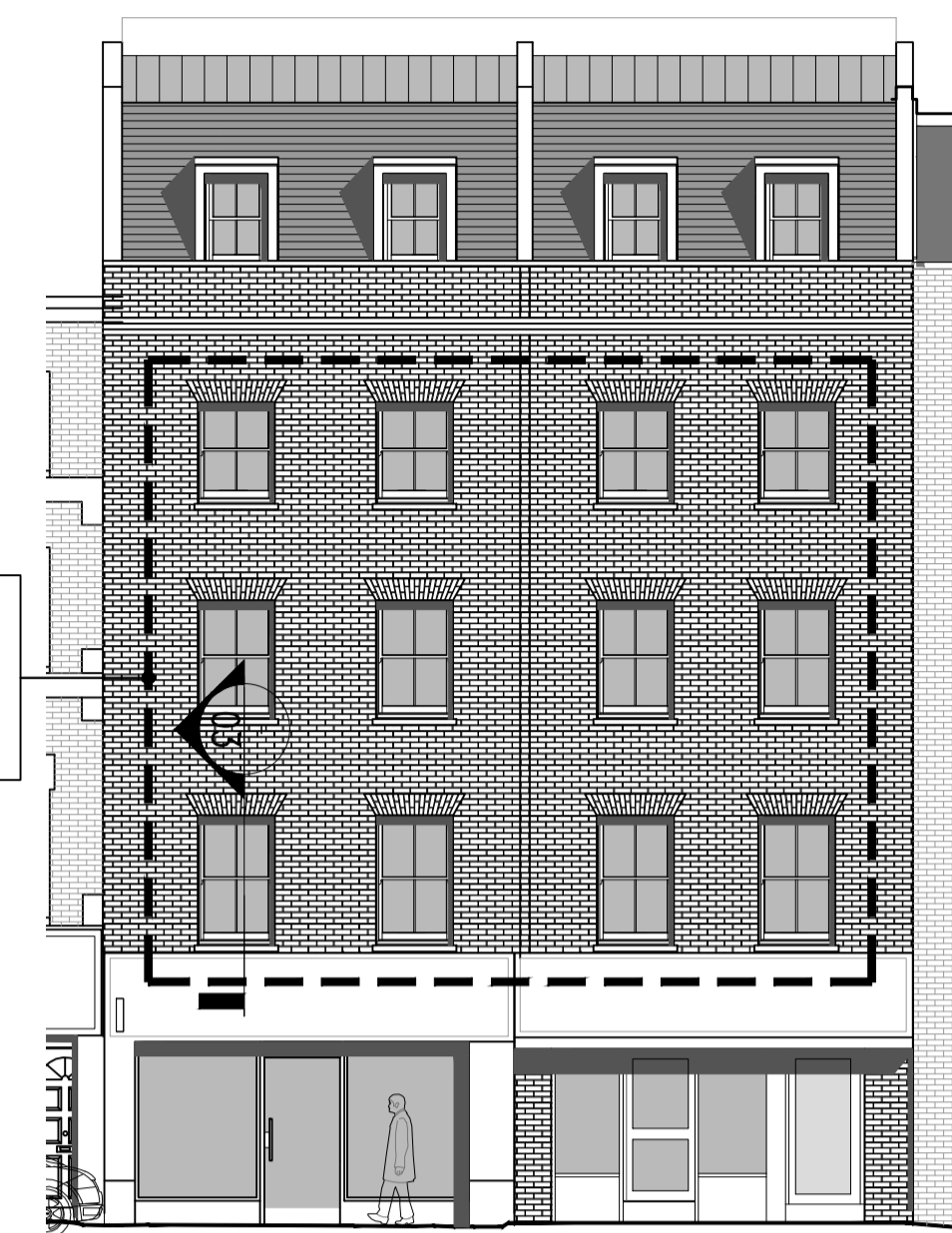


Copyright Rolfe Judd Ltd

NOTES

- 1 The Contractor must check and confirm all dimensions
- 2 All discrepancies must be reported and resolved by the Architect before works commence
- 3 This drawing is not to be scaled
- 4 All work and materials to be in accordance with current applicable Statutory Legislation and to comply with all relevant Codes of Practice and British Standards



Type 1 Window

ROOF MATERIAL LEGEND

- R1 - Inverted Roof System (Paving Slabs)
- R2 - Inverted Roof System (Stone Ballast)
- R3 - Standing Seam Roofing
- R4 - Slate Roofing
- R6 - Lead Dormer
- R7 - Composite Decking (Inverted Roof System)
- R8 - Composite Decking (Steel Frame)
- R9 - Timber Fencing
- R10 - Pre Cast Concrete Paving Slabs

FACADE MATERIAL LEGEND

- 1. Clay Facing Brickwork
- 2. Cast Stone Cornice
- 3. 25/14 Cavity Wall Tie System
- 4. Plastic Weep Holes
- 5. Partial Fill Cavity Insulation
- 6. Flexible Cavity Tray
- 7. Brickwork Support System
- 8. Aluminium Sliding Door
- 9. Aluminium Louvres (Brise Soleil)
- 10. Plant Screen
- 11. Aluminium Rainscreen Cladding
- 12. Perforated Aluminium Panel
- 13. Cavity Closer
- 14. Cavity Barrier (Rainscreen)
- 15. S/S Windpost
- 16. M/S Steel Balustrade
- 17. Timber Sash Windows
- 18. Timber Sash Windows
- 19. Rainscreen Insulation
- 20. Rainscreen Breather Membrane
- 21. Vapour Control Layer
- 22. External Wall Steel Framing System
- 23. Zinc Standing Seam Walling
- 24. Cavity Barrier (Brick Wall)
- 25. Aluminium Window Reveal
- 26. PPC Aluminium Cill
- 27. Aluminium Window
- 28. Cast Stone Sub Cill
- 29. Cast Stone Coping
- 30. PPC Aluminium Coping
- 31. Timber Fence
- 32. Precast Brick Arch
- 33. Rendered Window Reveal
- 34. Insulated Render System
- 35. Aluminium Folding Sliding Door
- 36. Cavity Barrier (Insulated Render)
- 37. Aluminium Soffit Cladding

Issued for information 04/08/15  
Rev Date

**Rolfe Judd**

Architecture Planning Interiors  
Old Church Court, Claylands Road, The Oval, London SW8 1NZ  
T 020 7556 1500  
www.rolfe-judd.co.uk

Client  
**Goodge Street  
(Tottenham Court Rd) LLP**

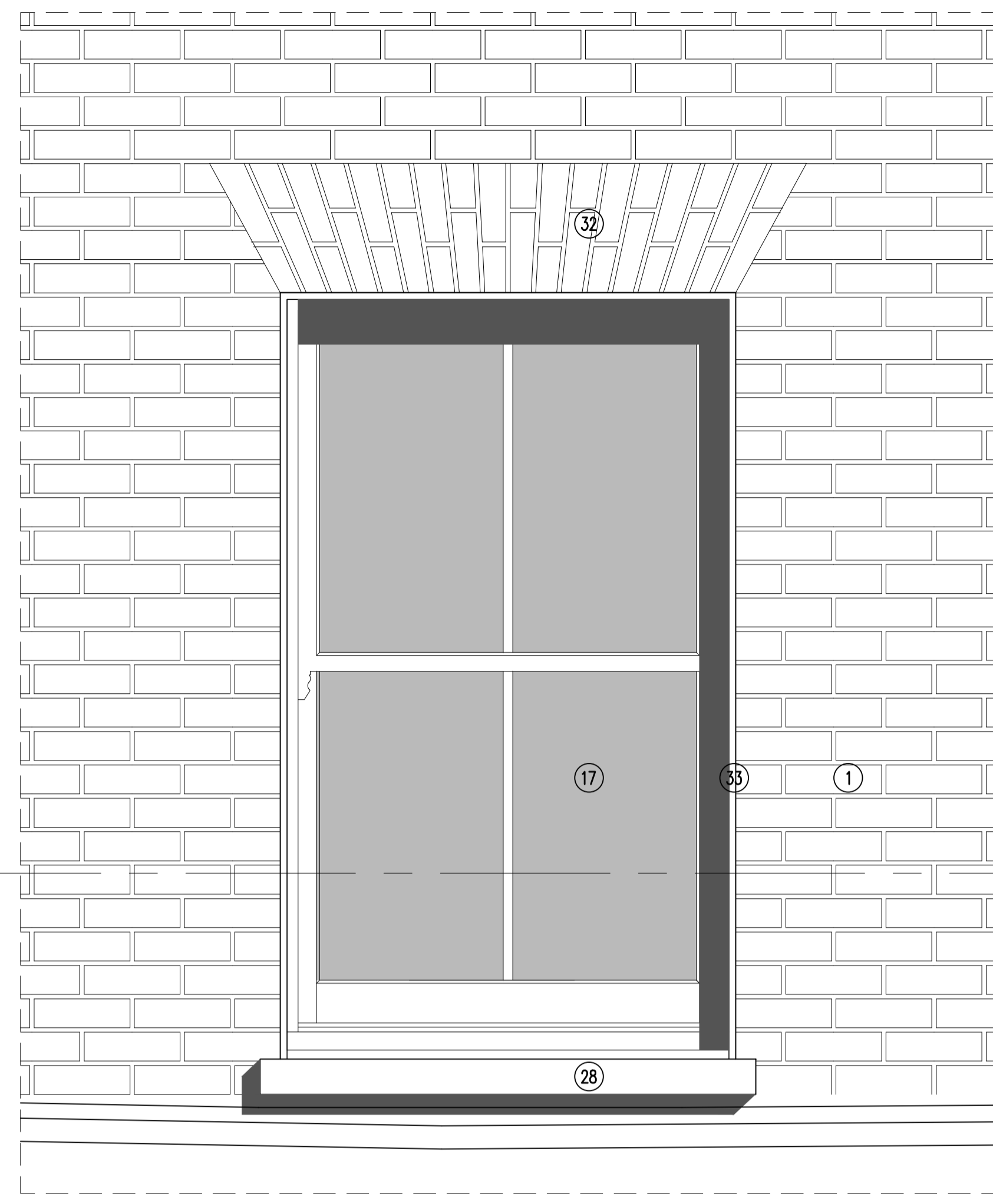
Project  
**11-13 Goodge Street**

Drawing  
**Proposed Window Details  
Type 1**

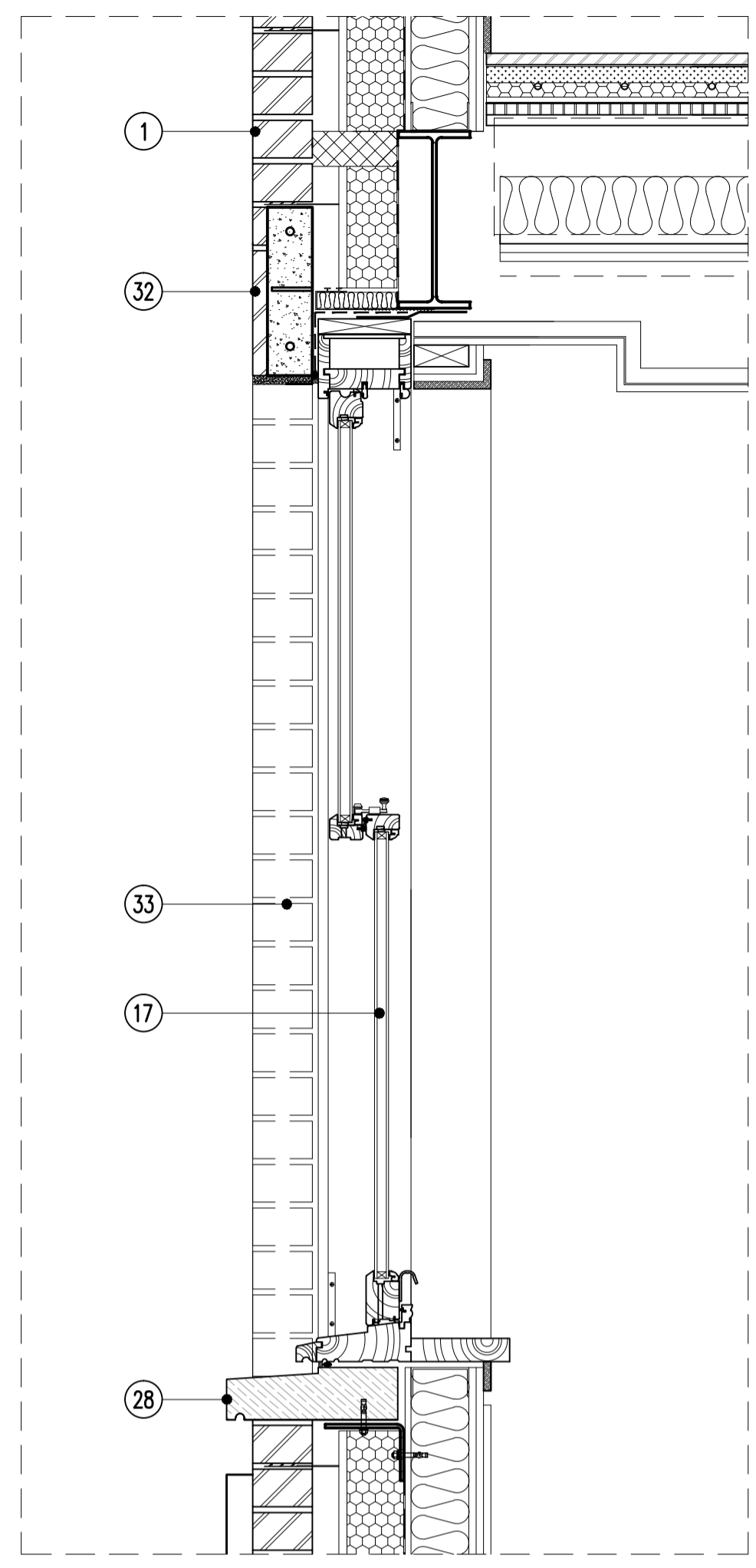
Scale	Date	Status
Varies (A1)	Jan 15	Planning

Job Number	Drawing Number	Revision
5342	T(20) DE01	-

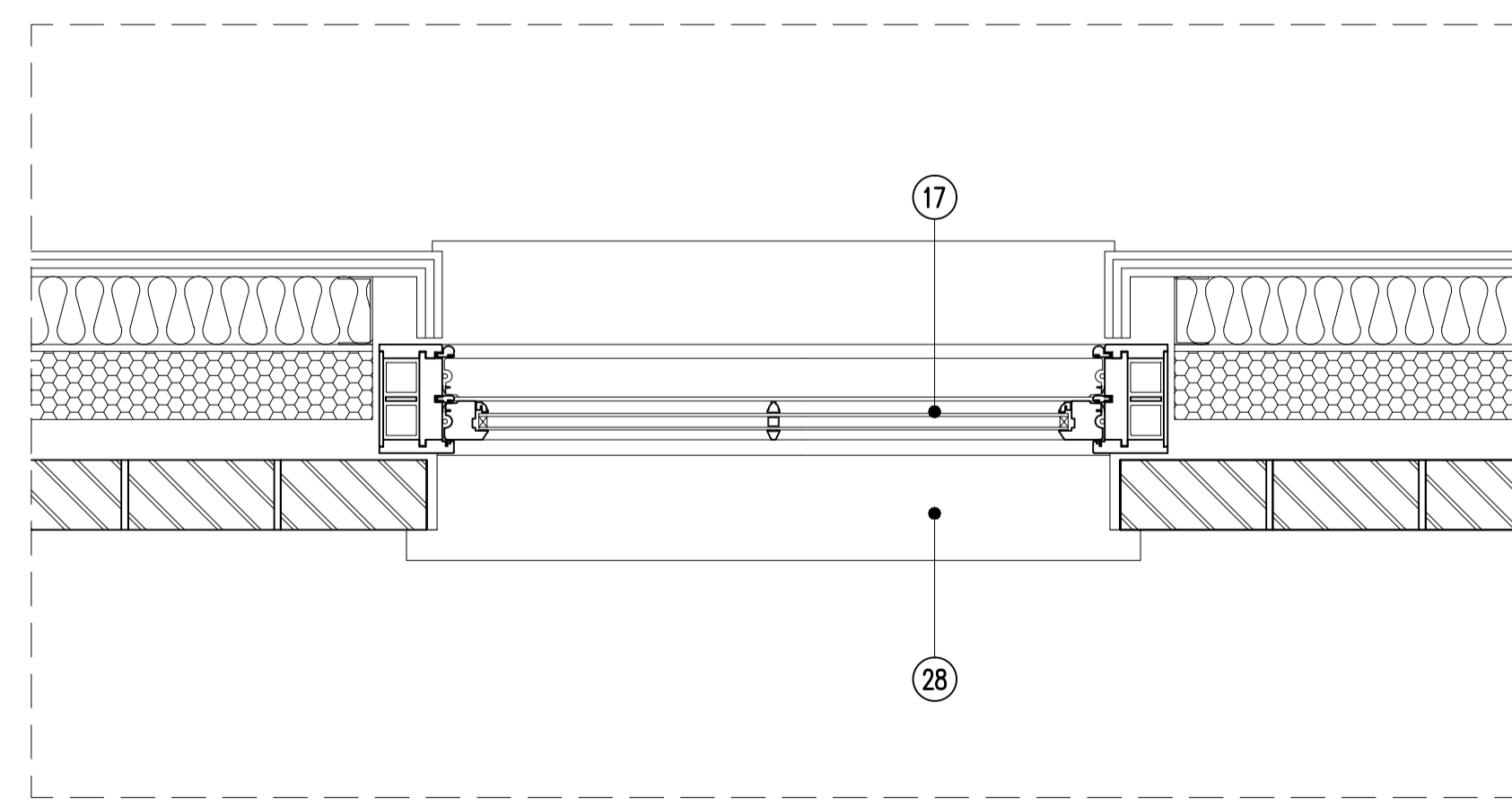
G:\5342\T\_Series\Record of Submissions\Planning Condition Discharge\150130\_Con



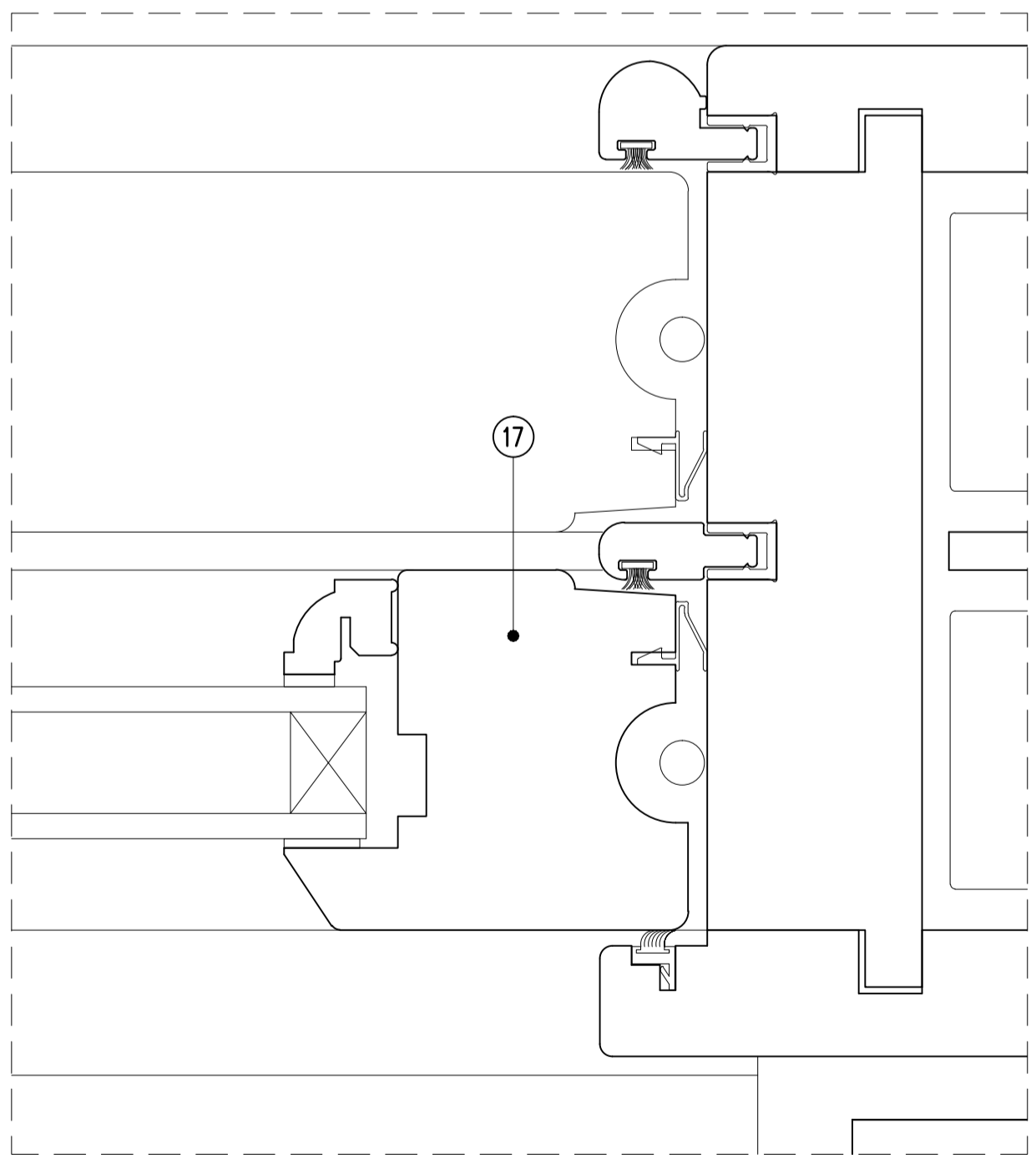
**01 WINDOW ELEVATION**  
SCALE: 1:10 (A1)



**03 WINDOW SECTION**  
SCALE: 1:10 (A1)



**02 WINDOW PLAN**  
SCALE: 1:10 (A1)



**02 WINDOW BAR DETAIL**  
SCALE: 1:1 (A1)

This scale is 10cm in length when printed at the size indicated in the title block

