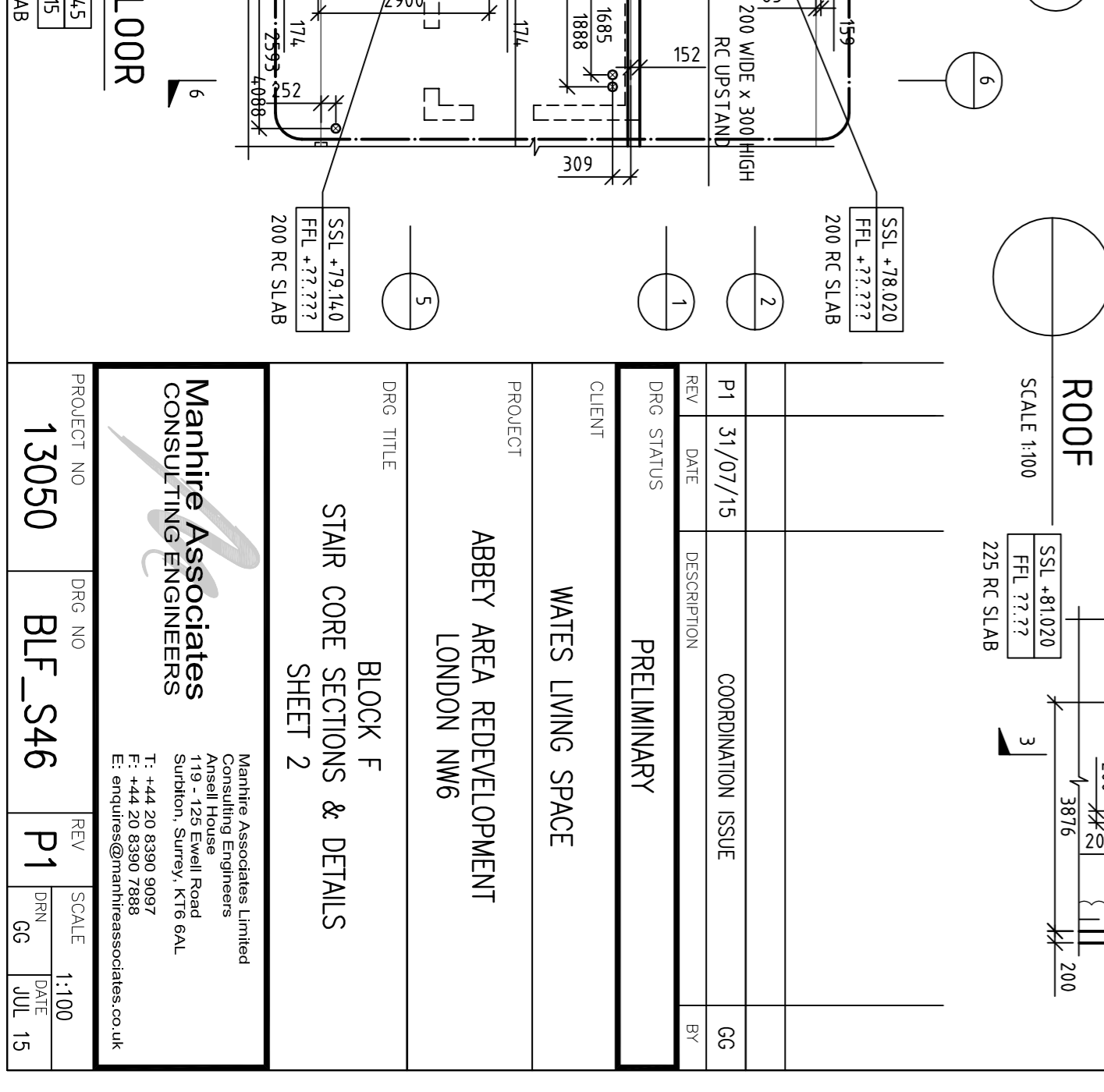
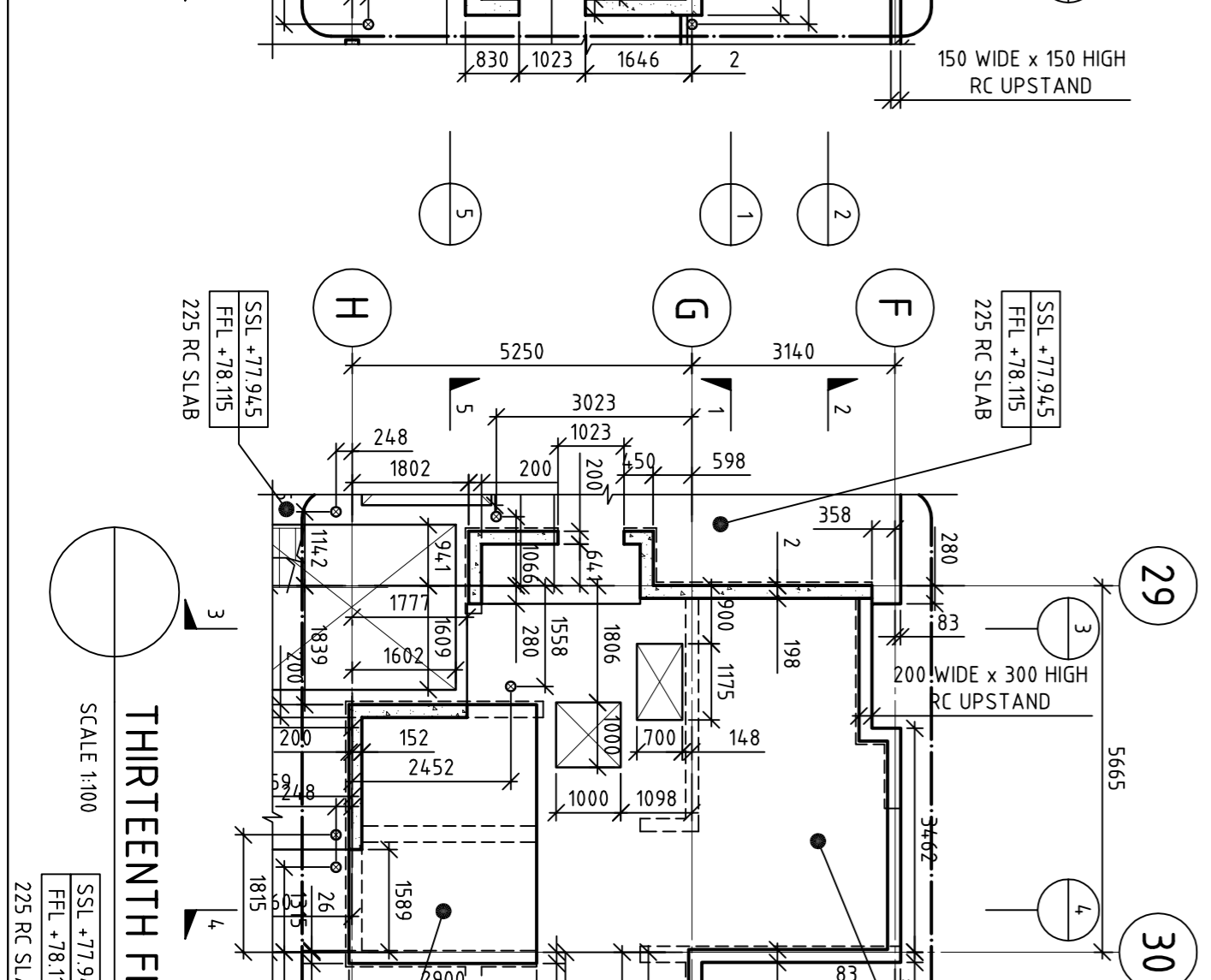
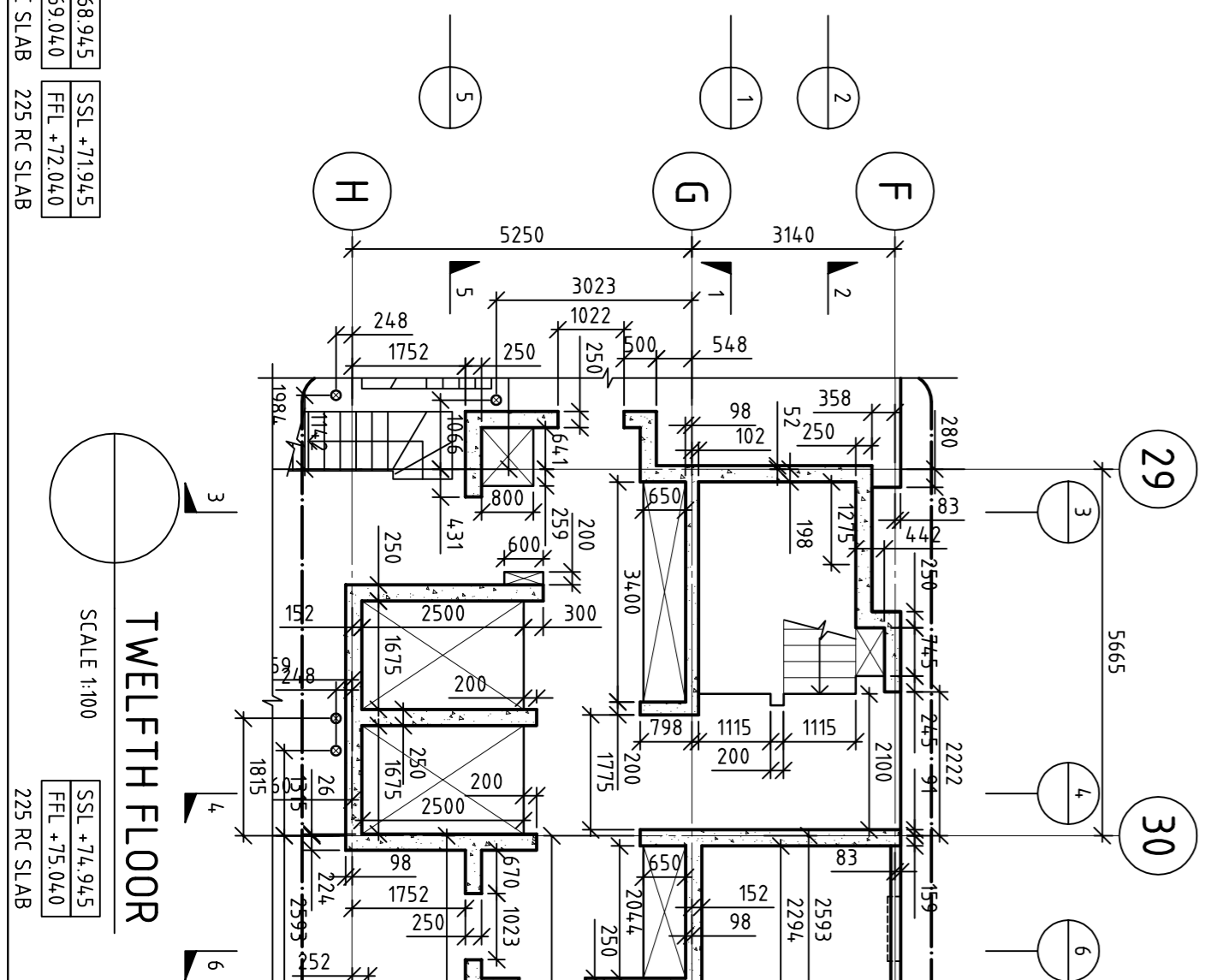
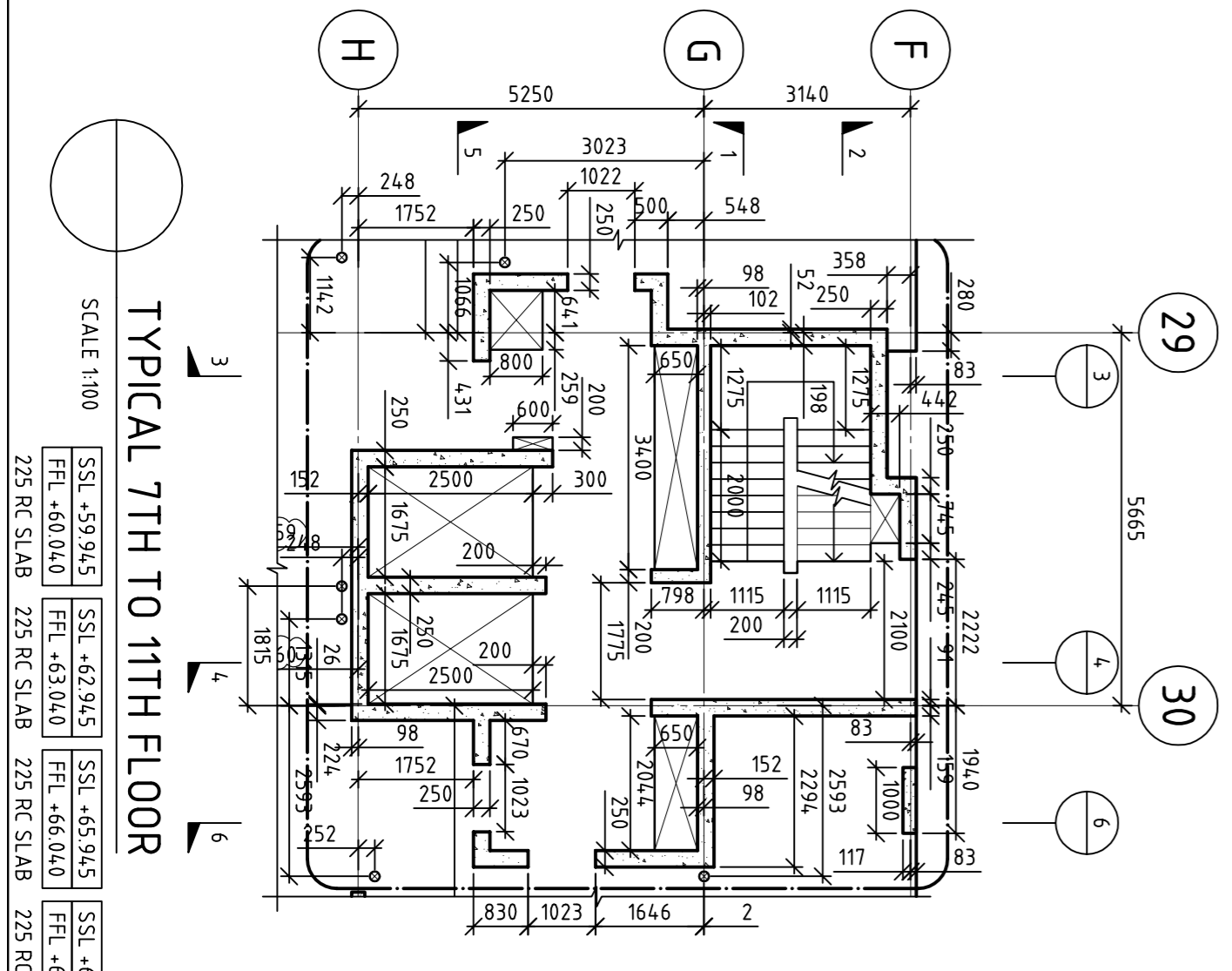
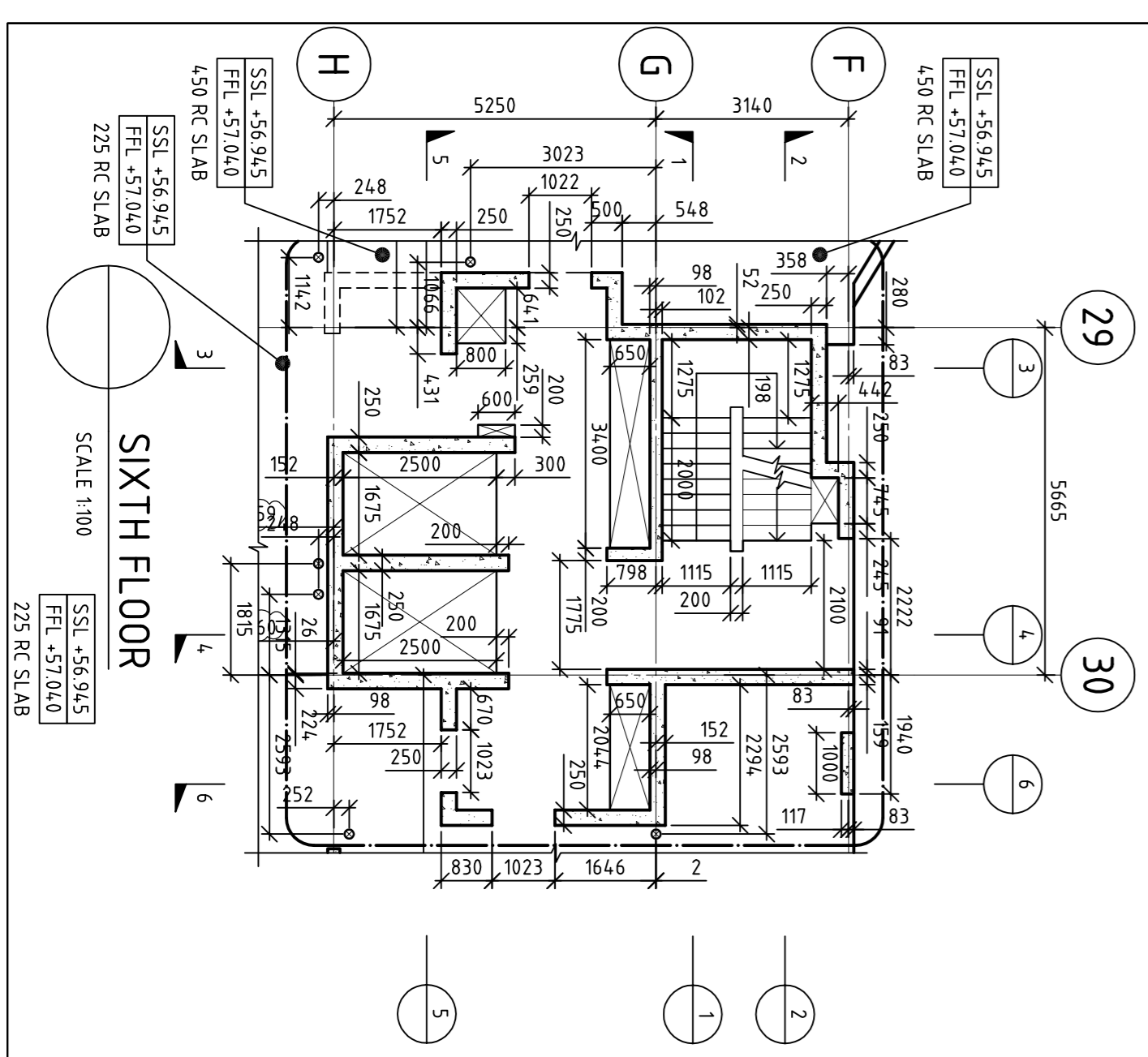
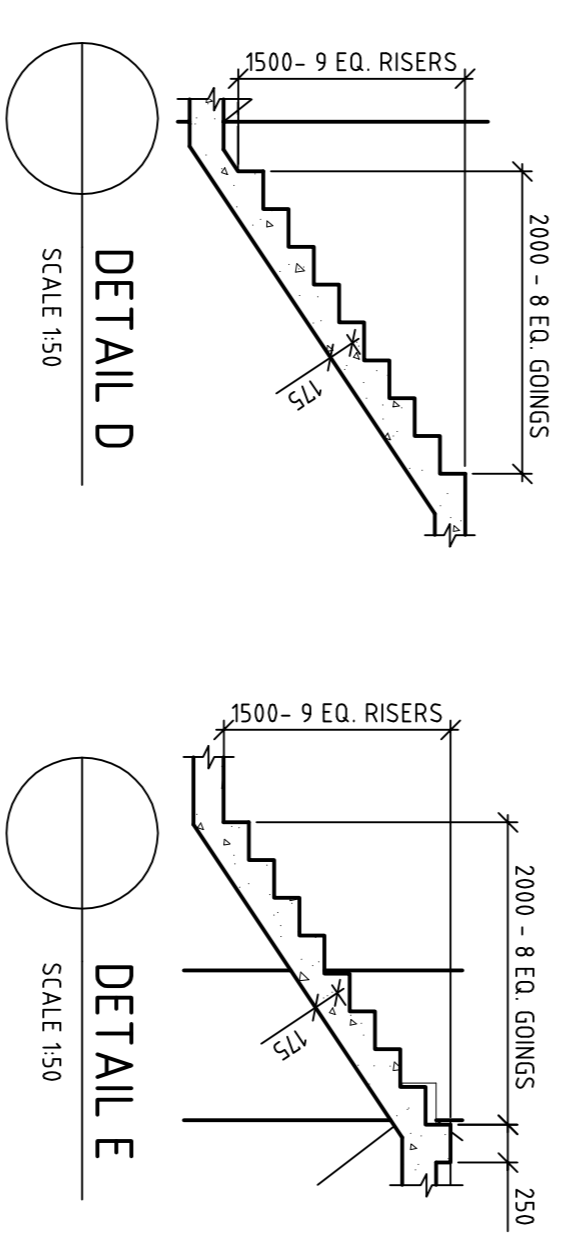


1 SECTION SCALE 1:100  
 2 SECTION SCALE 1:100  
 3 SECTION SCALE 1:100  
 4 SECTION SCALE 1:100  
 5 SECTION SCALE 1:100  
 6 SECTION SCALE 1:100



PROJECT NO		13050	
DRG NO		BLF_S46	
REV		P1	
SCALE		1:100	
DATE		JUL 15	
<p>PROJECT: ABBEY AREA REDEVELOPMENT LONDON NW6</p> <p>CLIENT: WATTS LIVING SPACE</p> <p>DRG STATUS: PRELIMINARY</p> <p>DRG TITLE: BLOCK F STAIR CORE SECTIONS &amp; DETAILS SHEET 2</p>			
<p>Manhire Associates Limited          Annet House, Road          Suttons, Surrey, KT6 6AL          T: +44 20 8380 9097          E: enquiries@manhireassociates.co.uk</p>			