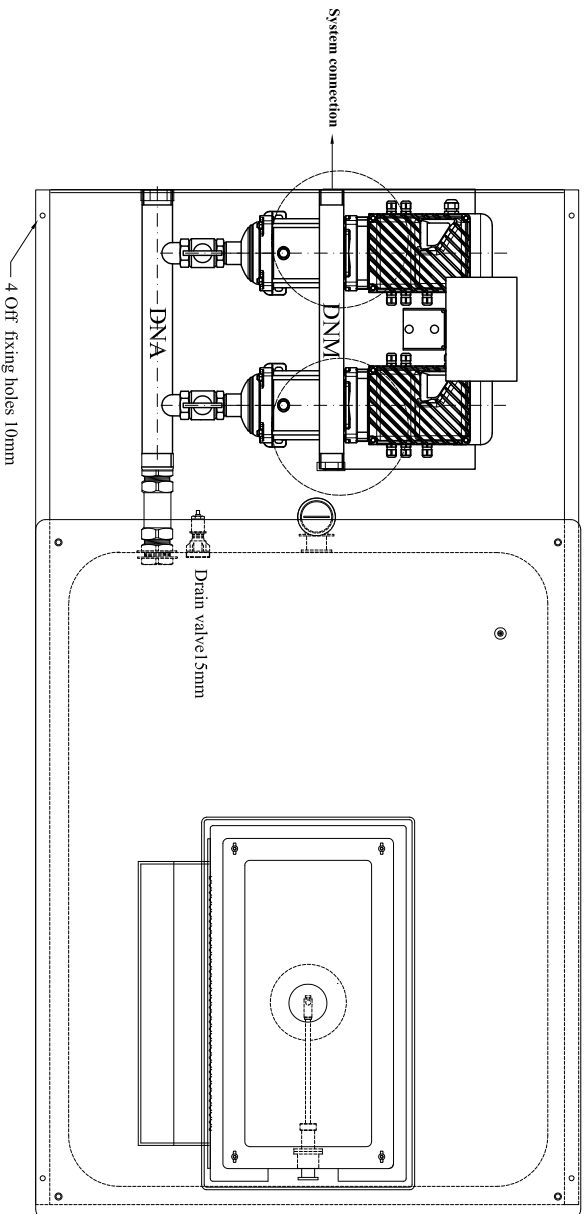
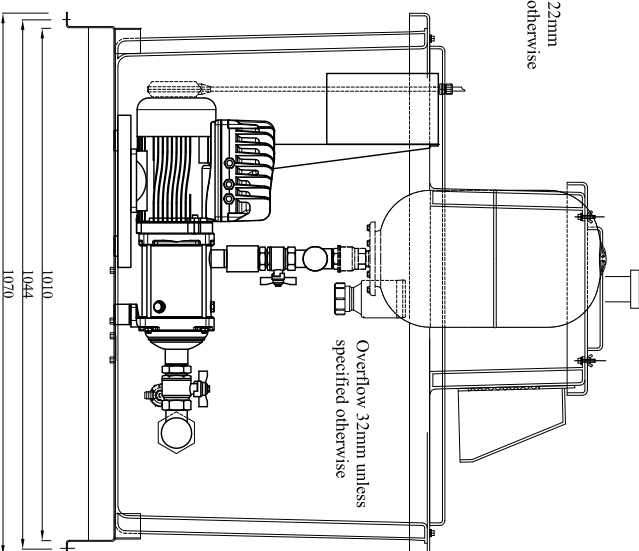


Cold water inlet 22mm unless specified otherwise

Overflow 32mm unless specified otherwise



AB air gap suitable for liquid upto category 5

GTKS20	DNA	DNM
GTKS20/1HM	1" 1/4	1" 1/4
GTKS20/3HM	1" 1/4	1" 1/4
GTKS20/5HM	2"	1" 1/2

NOTES
Dimensions in mm, Tolerance ± 0.0mm

DATE	REVISION	No.

GTKS20/1-3-5HM Varitank booster set
with 680lt pre-insulated tank
and type AB air gap

DRAWN	CHK
CHECKED	17-10-2014
DATE	
SCALE	
PART No	
MAT. No	
SPEC.	

XYLEM
Lowara UK Ltd
Millway Rise Industrial Estate
Astoner Park EX15 5HU

DRG No: M10440